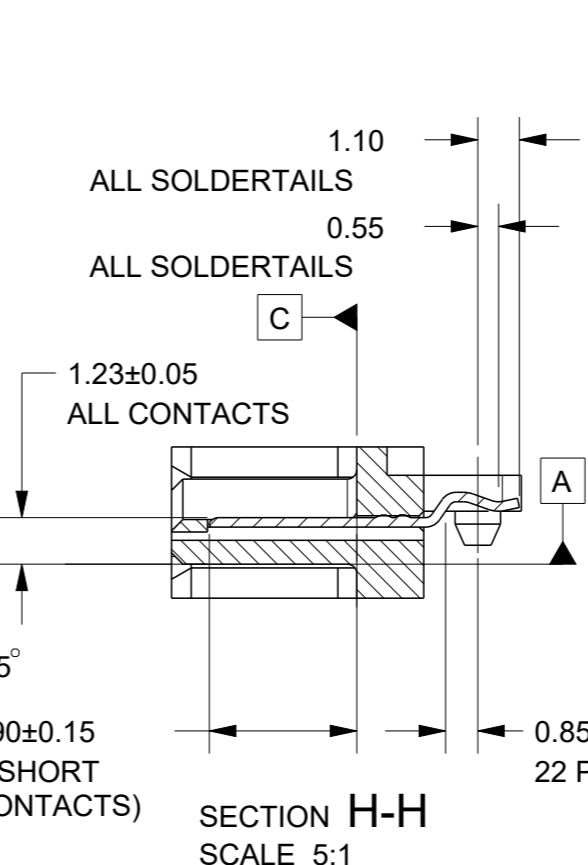
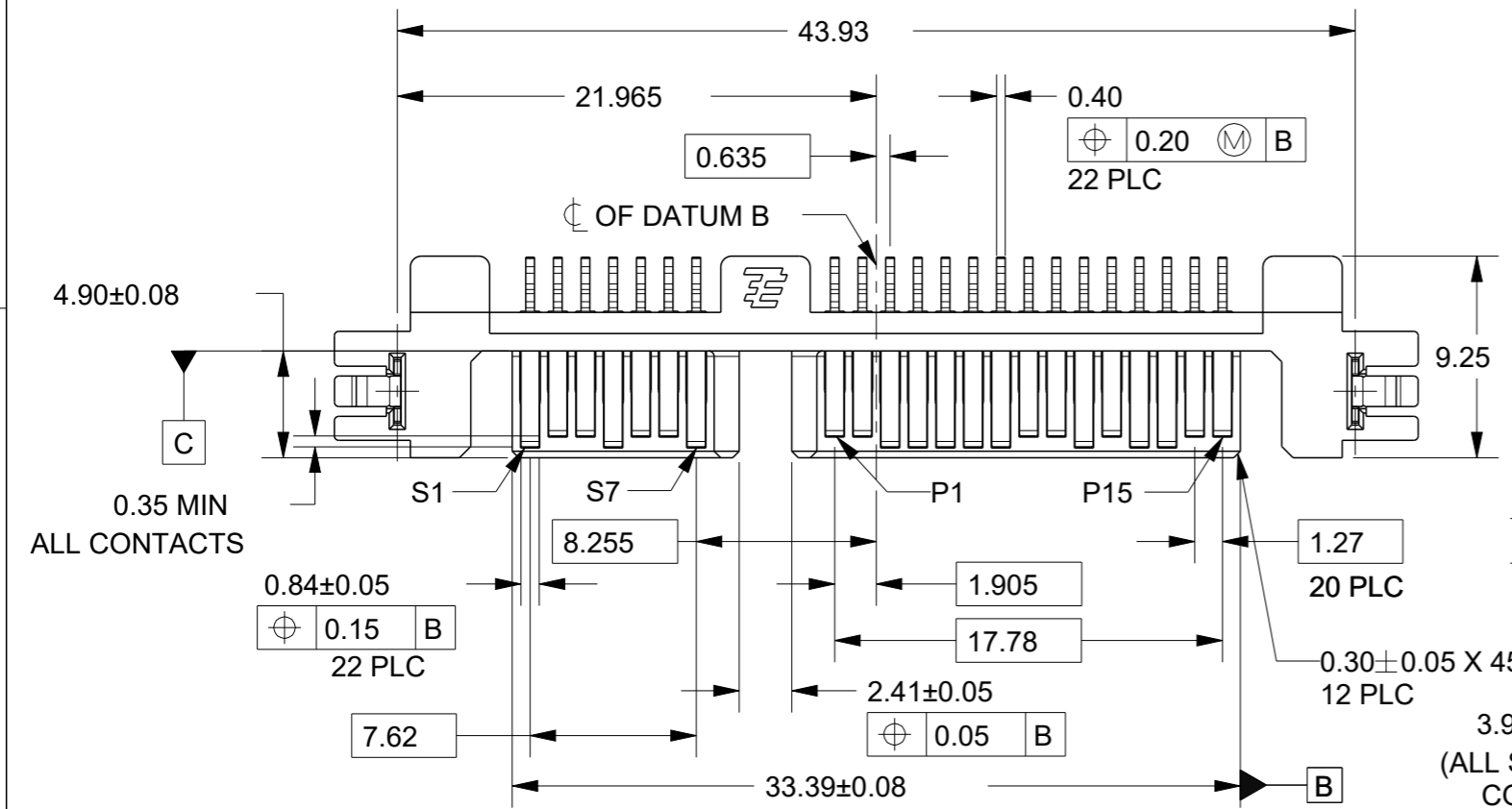
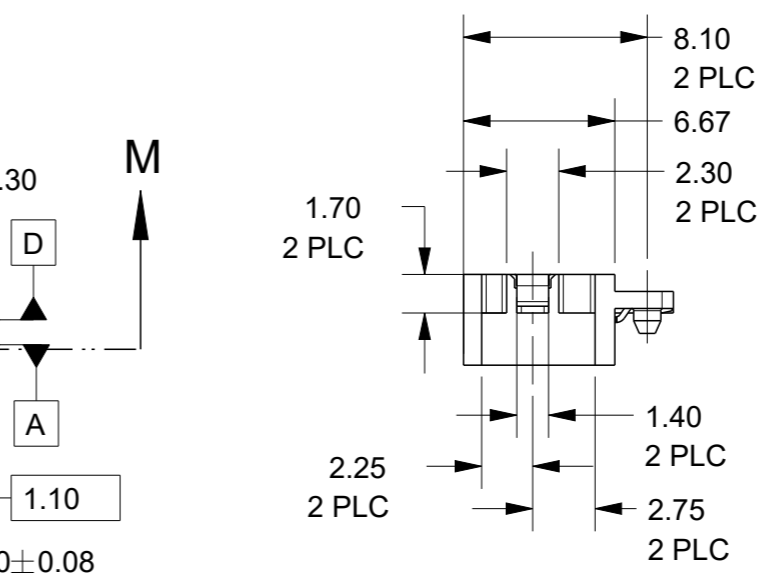
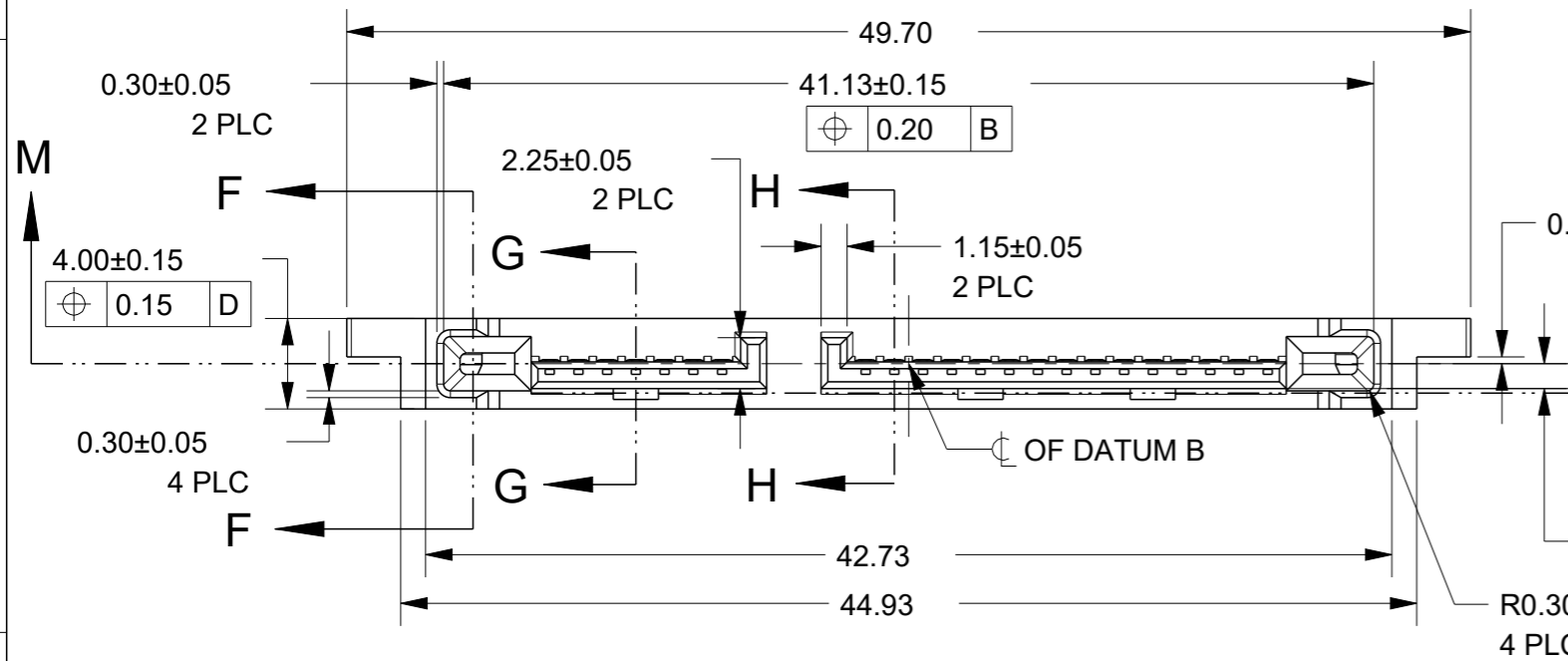
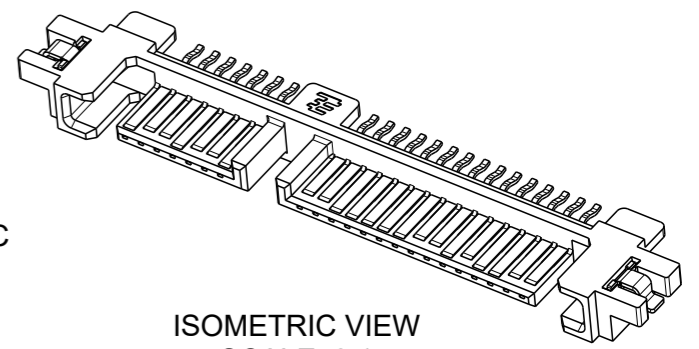


THIS DRAWING IS UNPUBLISHED. RELEASED FOR PUBLICATION
 © COPYRIGHT ALL RIGHTS RESERVED.

LOC	DIST	REVISIONS					
DY	-	P	LTR	DESCRIPTION	DATE	DWN	APVD
		C2		REVISED ECR-20-016788	22MAR2021	EZ	NS



- NOTES:
- 1 MATERIAL
HOUSING: HIGH TEMPERATURE THERMOPLASTICS, GLASS FILLED, BLACK, UL94V-0, REGRIND 25% MAXIMUM
CONTACT: COPPER ALLOY
SOLDER PEG: COPPER ALLOY
 - 2 FINISH
CONTACT: "A" MIN GOLD ON MATING AREA AND 2.54µm MIN MATTE TIN (LEAD-FREE) ON SOLDER AREA
BOTH OVER 1.27µm MIN NICKEL ENTIRE
SOLDER PEG: 2.54µm MIN TIN (LEAD-FREE) OVER 1.27µm MIN NICKEL ENTIRE
 - 3 CAVITY NO LOCATED AT APPROXIMATE AREA AS SHOWN
 - 4 DATE CODE



EOL	0.76µm	1735783-3
EOL	0.38µm	1735783-2
EOL	0.05µm	1735783-1
	"A"	PART NO.

P/N:1735783-1,-2,-3 AS SHOWN

THIS DRAWING IS A CONTROLLED DOCUMENT.		DWN JASON CHOW 05JAN09			
DIMENSIONS: mm		CHK AP TAY			
TOLERANCES UNLESS OTHERWISE SPECIFIED:		APVD SF LEONG	NAME SLIMLITE SATA PLUG, 15+7P, SMT		
0 PLC ±-		PRODUCT SPEC 108-51052	SIZE A3	CAGE CODE 00779	DRAWING NO C-1735783
1 PLC ±0.20		APPLICATION SPEC -	RESTRICTED TO -		
2 PLC ±0.20		WEIGHT 1.43g	SCALE 3:1	SHEET 1	OF 3
3 PLC ±0.20		CUSTOMER DRAWING	REV C2		
4 PLC ±-					
ANGLES ±2°					
FINISH					
1					
2					

4

3

2

1

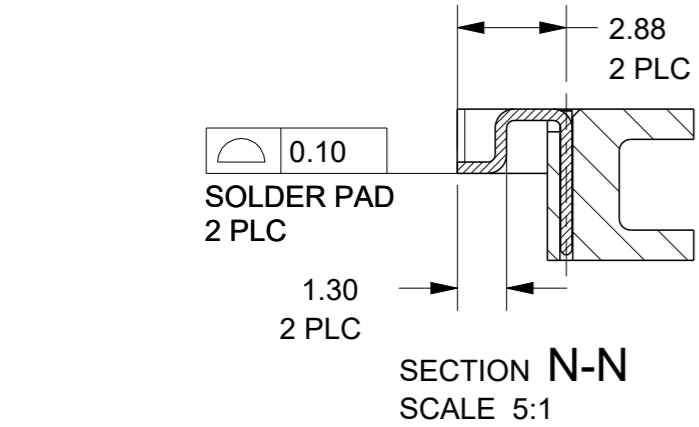
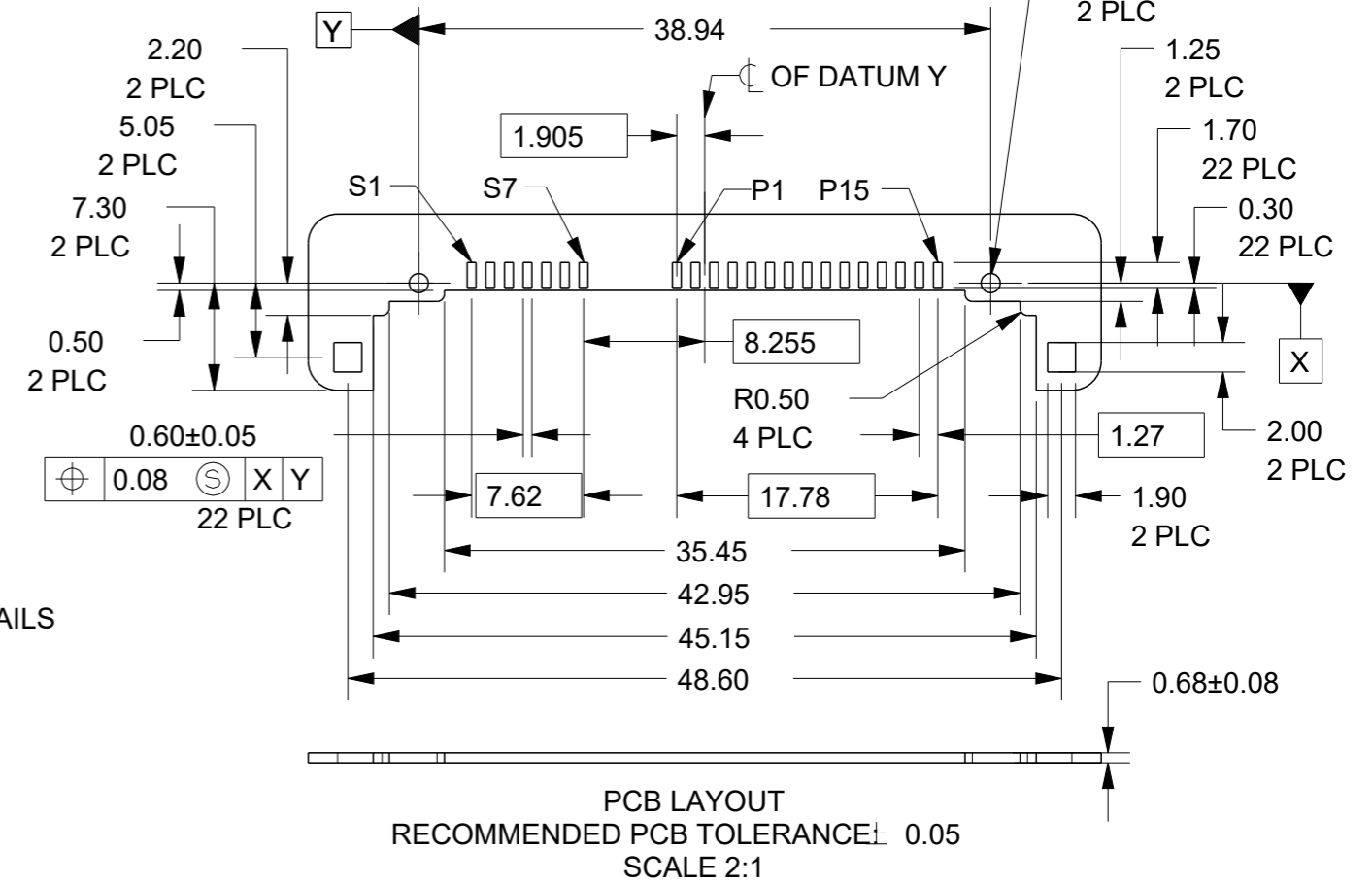
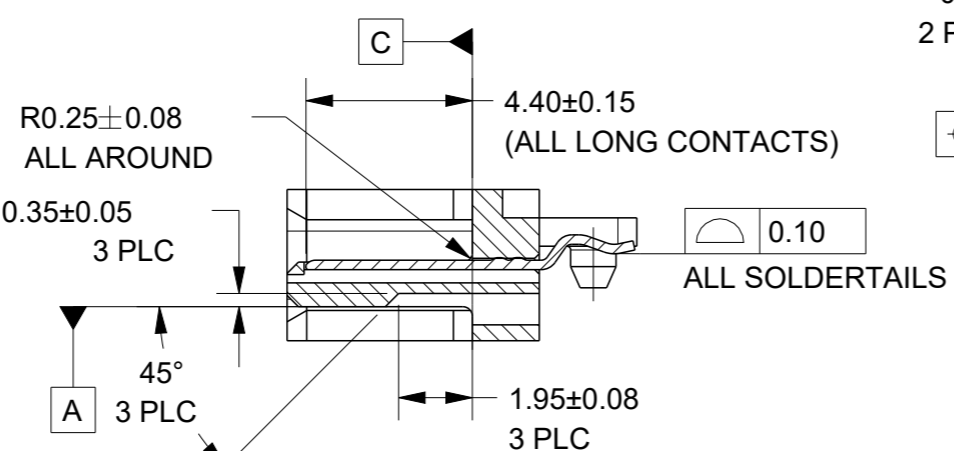
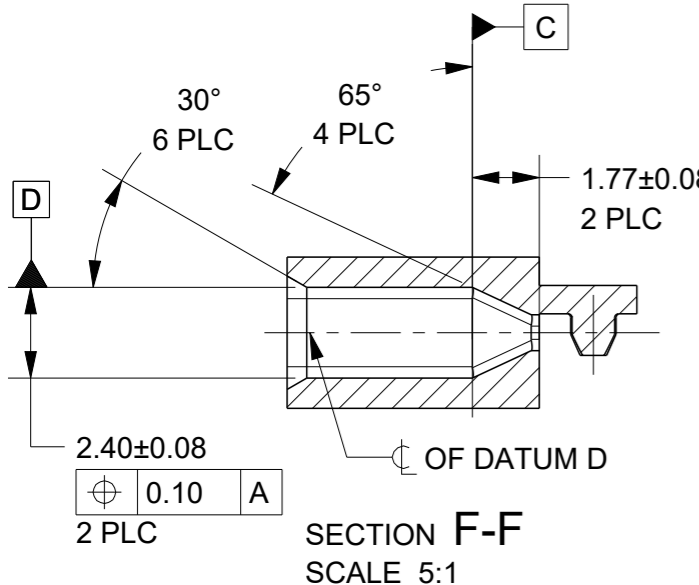
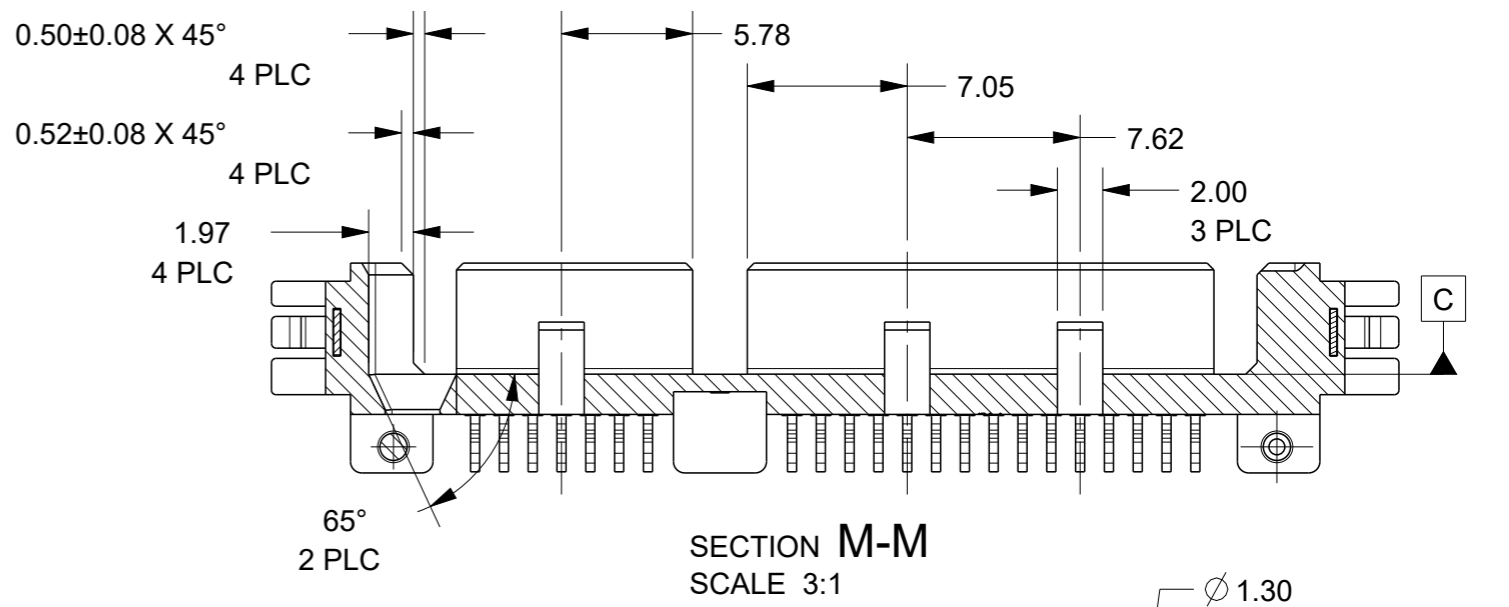
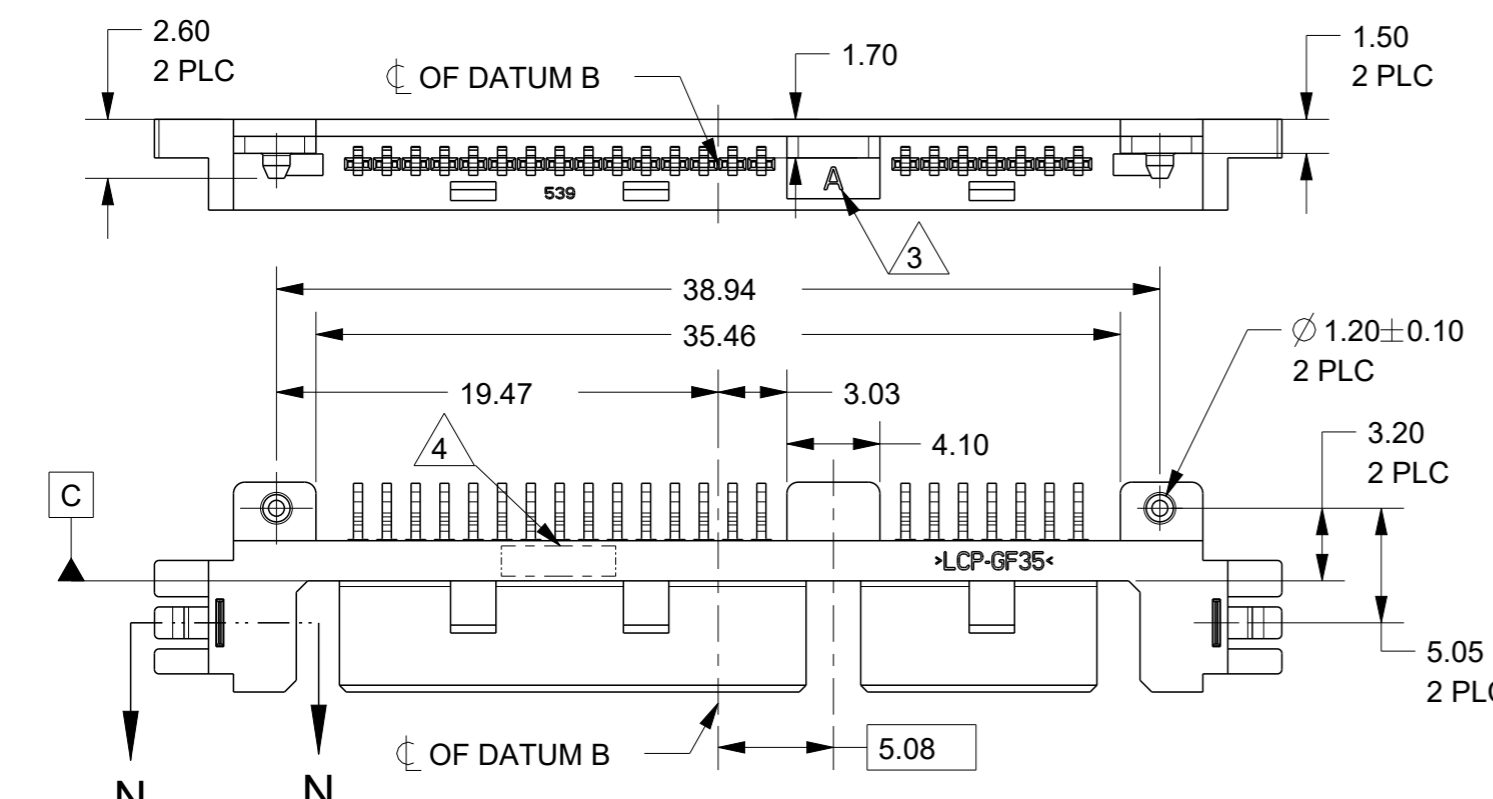
THIS DRAWING IS UNPUBLISHED.

RELEASED FOR PUBLICATION

© COPYRIGHT

ALL RIGHTS RESERVED.

LOC	DIST	REVISIONS			
P	LTR	DESCRIPTION	DATE	DWN	APVD
DY	-	SEE SHEET 1			

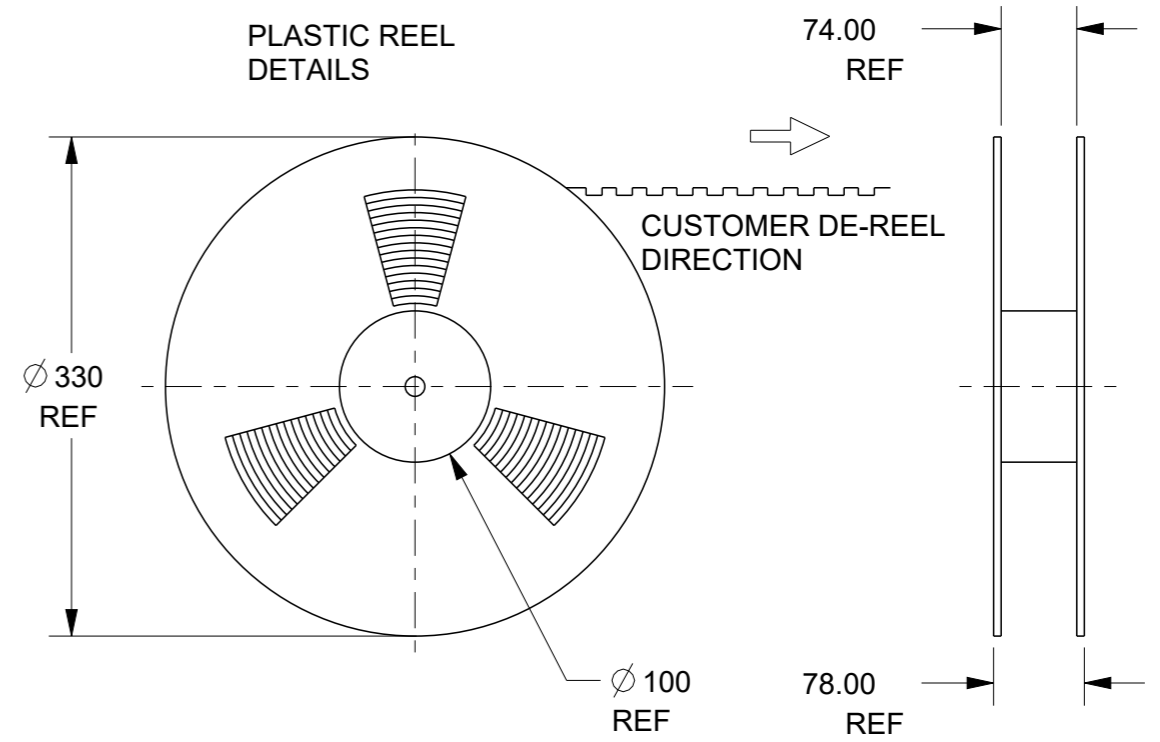
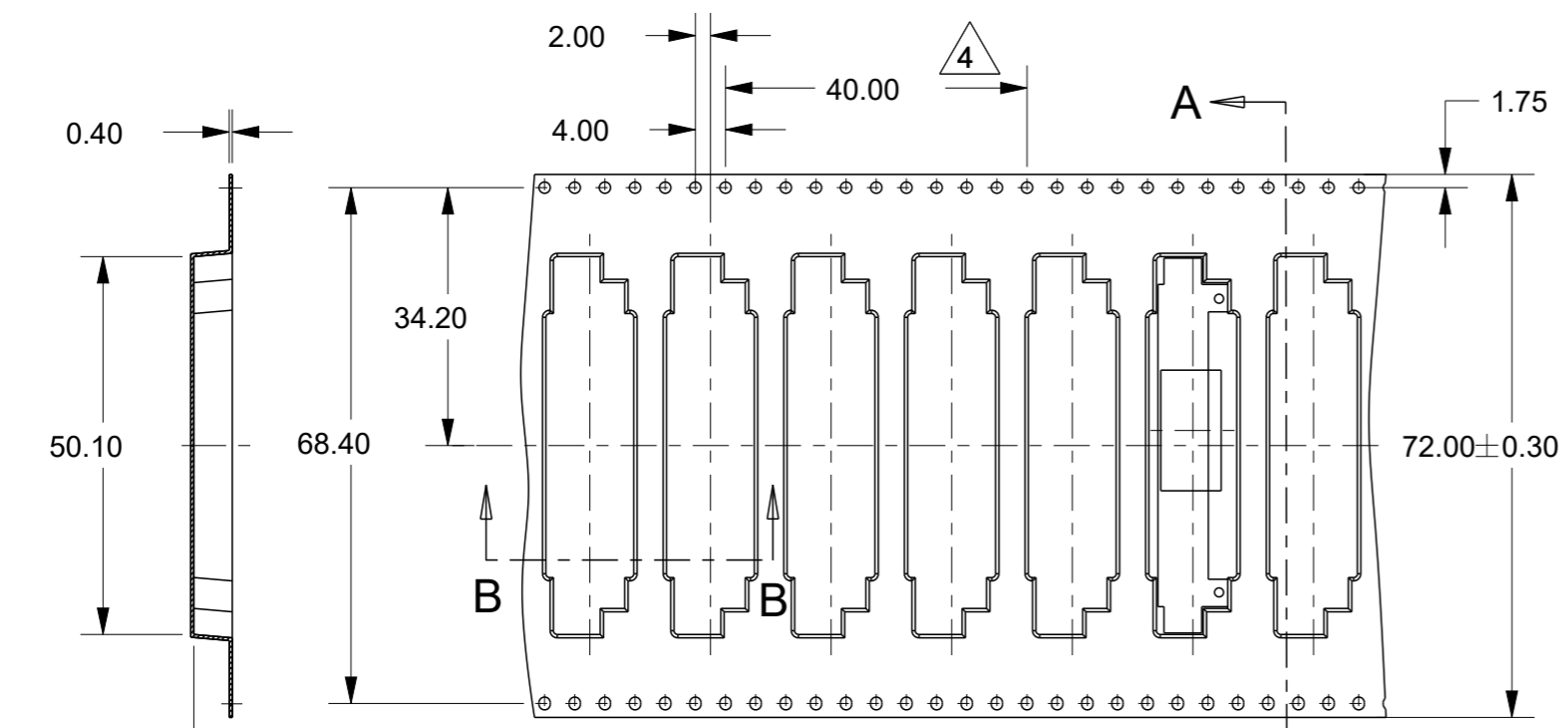


THIS DRAWING IS A CONTROLLED DOCUMENT.		DWN JASON CHOW 05JAN09	TE Connectivity			
DIMENSIONS: mm		CHK AP TAY				
TOLERANCES UNLESS OTHERWISE SPECIFIED:		APVD SF LEONG	NAME SLIMLITE SATA PLUG, 15+7P, SMT			
0 PLC ±-		PRODUCT SPEC 108-51052				
1 PLC ±0.20		APPLICATION SPEC -	SIZE A3	CAGE CODE 00779	DRAWING NO C-1735783	RESTRICTED TO -
2 PLC ±0.20		WEIGHT 1.43g	SCALE 3:1		SHEET 2 OF 3	REV C2
3 PLC ±0.20		CUSTOMER DRAWING				
4 PLC ±-						
ANGLES ±2°						
FINISH 1						
FINISH 2						

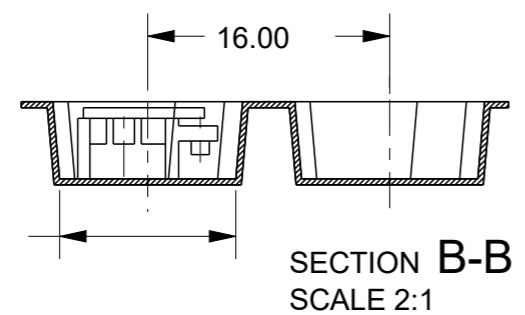
P/N:1735783-1,-2,-3 AS SHOWN

THIS DRAWING IS UNPUBLISHED. RELEASED FOR PUBLICATION
 © COPYRIGHT ALL RIGHTS RESERVED.

LOC	DIST	REVISIONS			
P	LTR	DESCRIPTION	DATE	DWN	APVD
DY	-	SEE SHEET 1			



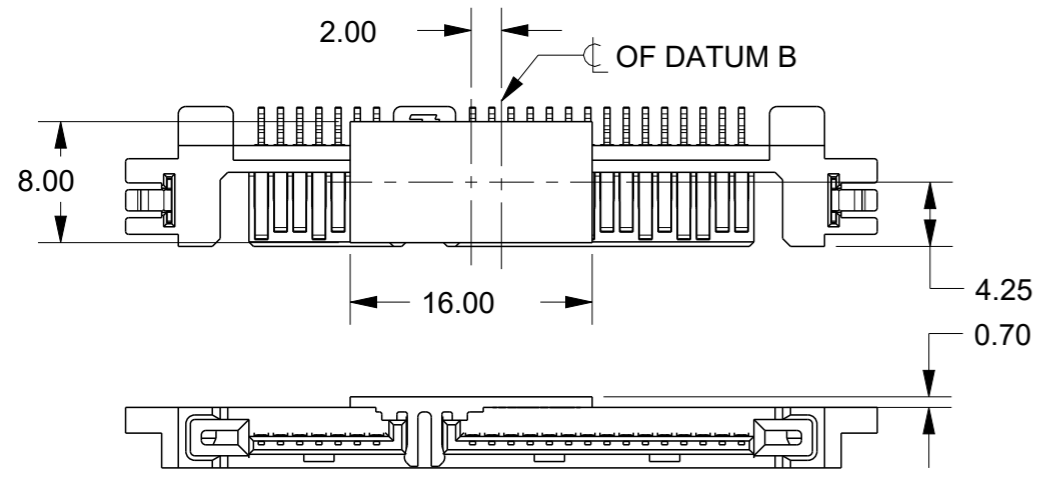
SECTION A-A



CUSTOMER DE-REEL DIRECTION

NOTES:

- ALL DIMENSIONS IN MM UNLESS OTHERWISE STATED.
- MATERIAL: PS CLEAR, 0.40±0.05 THICKNESS (BEFORE REFORM).
- GENERAL TOLERANCE: ±0.20MM UNLESS OTHERWISE STATED.
DRAFT ANGLE: 5° (MAX) UNLESS OTHERWISE STATED.
RADIUS: 0.25 (MAX) TYPE UNLESS OTHERWISE STATED.
- ACCUMULATED TOLERANCES FOR PITCHES: ±0.20MM FOR 10 PITCHES.
- DELIVER IN PLASTICS REEL: 757 POCKETS/REEL (700 COMPONENTS/REEL)



CONNECTOR WITH PICK-UP CAP SCALE 2:1

THIS DRAWING IS A CONTROLLED DOCUMENT.		DWN JASON CHOW	05JAN09	P/N:1735783-1,-2,-3 AS SHOWN	
DIMENSIONS: mm		CHK AP TAY	TE Connectivity		
TOLERANCES UNLESS OTHERWISE SPECIFIED:		APVD SF LEONG	NAME SLIMLITE SATA PLUG, 15+7P, SMT		
0 PLC ±- 1 PLC ±0.20 2 PLC ±0.20 3 PLC ±0.20 4 PLC ±- ANGLES ±5°		PRODUCT SPEC 108-51052	SIZE A3	CAGE CODE 00779	DRAWING NO 1735783
MATERIAL 2		FINISH -	WEIGHT 1.43g	RESTRICTED TO -	
CUSTOMER DRAWING			SCALE 3:1	SHEET 3 OF 3	REV C2