

Features

- RoHS compliant*
- Protects up to six lines
- Bidirectional configuration
- ESD protection: 30 kV max.
- Low capacitance: 15 pF



This series is obsolete and not recommended for new designs. The Model **CDNBS08-SRDA3.3-4** and **CDNBS08-SRDA05-4** are the recommended replacements.

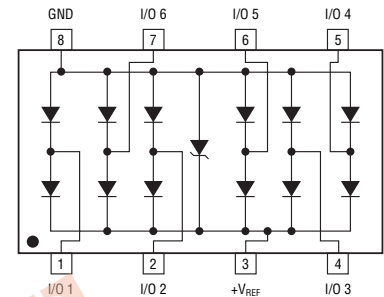
CDNBS08-SRDxx-6 - Steering Diode/TVS Array Combo

General Information

The markets of portable communications, computing and video equipment are challenging the semiconductor industry to develop increasingly smaller electronic components.

Bourns offers Steering Diode/Transient Voltage Suppressor Array combination diodes for surge and ESD protection applications in an eight lead narrow body SOIC package size format. Bourns® Chip Diodes conform to JEDEC standards, are easy to handle on standard pick and place equipment and their flat configuration minimizes roll away.

The Bourns device will meet IEC 61000-4-2 (ESD), IEC 61000-4-4 (EFT) and IEC 61000-4-5 (Surge) requirements.



Electrical Characteristics (@ T_A = 25 °C Unless Otherwise Noted)

Parameter	Symbol	CDNBS08-		Unit
		SRDA3.3-6	SRDA05-6	
Minimum Breakdown Voltage @ 1 mA	V _{BR}	4.0	6.0	V
Working Peak Voltage	V _{WM}	3.3	5.0	V
Maximum Clamping Voltage V _C @ I _P	V _C	8.0	9.8	V
Maximum Clamping Voltage @ 8/20 μs V _C @ I _{PP}	V _C	10.9 V @ 43 A	13.5 V @ 42 A	V
Maximum Leakage Current @ V _{WM}	I _D	125	20	μA
Maximum Cap. Bidirectional @ 0 V, 1 MHz	C _{J(SD)}	15		pF
ESD Protection per IEC 61000-4-2	ESD	±8		kV
Contact - Min.		±30		
Contact - Max.		±15		
Air - Min.		±30		
Peak Pulse Power (t _p = 8/20 μs) ¹	P _{PP}	500		W
Continuous Power Dissipation	P _{PC}	1		W
Maximum Forward Voltage @ 10 mA	V _F	1.1		V

Notes:

1. See Peak Pulse Power vs. Pulse Time.
2. Capacitance measured at V_{WM} = V_{CC} connected between I/O pins to pin 8 and 5 (Gnd). V_R = V_{WM} @ 1 MHz.

Thermal Characteristics (@ T_A = 25 °C Unless Otherwise Noted)

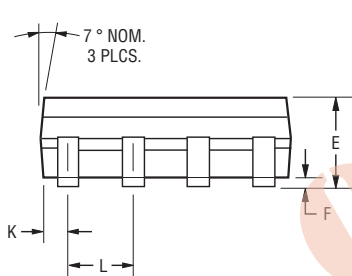
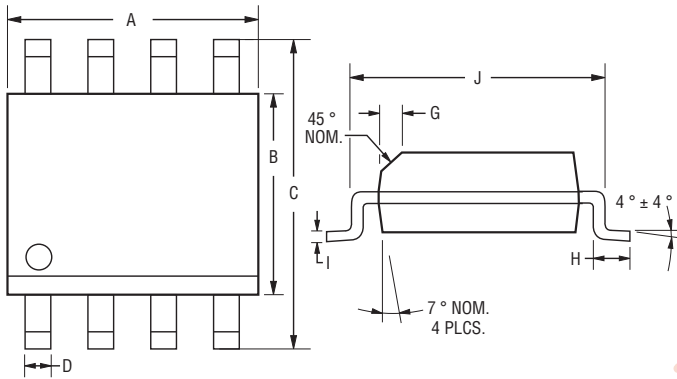
Parameter	Symbol	Max.	Unit
Operating Temperature	T _J	-55 to +150	°C
Storage Temperature	T _{STG}	-55 to +150	°C

CDNBS08-SRDAxx-6 - Steering Diode/TVS Array Combo



Product Dimensions

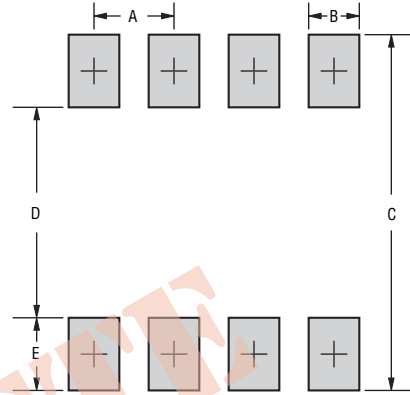
This is an RoHS compliant molded JEDEC narrow body SO-8 package with 100 % Sn plating on the lead frame. It weighs approximately 15 mg and has a flammability rating of UL 94V-0.



DIMENSIONS = $\frac{\text{MILLIMETERS}}{\text{(INCHES)}}$

Dimensions	
A	$\frac{4.80 - 5.00}{(0.189 - 0.197)}$
B	$\frac{3.81 - 4.00}{(0.150 - 0.157)}$
C	$\frac{5.80 - 6.20}{(0.228 \pm 0.244)}$
D	$\frac{0.36 - 0.51}{(0.014 - 0.020)}$
E	$\frac{1.35 - 1.75}{(0.053 - 0.069)}$
F	$\frac{0.102 - 0.203}{(0.004 - 0.008)}$
G	$\frac{0.25 - 0.50}{(0.010 - 0.020)}$
H	$\frac{0.51 - 1.12}{(0.020 - 0.044)}$
I	$\frac{0.190 - 0.229}{(0.0075 - 0.0090)}$
J	$\frac{4.60 - 5.21}{(0.181 - 0.205)}$
K	$\frac{0.28 - 0.79}{(0.011 - 0.031)}$
L	$\frac{1.27}{(0.050)}$

Recommended Footprint



Dimensions	
A	$\frac{1.143 - 1.397}{(0.045 - 0.065)}$
B	$\frac{0.635 - 0.889}{(0.025 - 0.035)}$
C	$\frac{6.223}{(0.245)}$ Min.
D	$\frac{3.937 - 4.191}{(0.155 - 0.165)}$
E	$\frac{1.016 - 1.27}{(0.040 - 0.050)}$

Typical Part Marking

CDNBS08-SRDA3.3-6..... SGG
 CDNBS08-SRDA05-6..... SGH

How to Order

CD NBS08 - SRDA 3.3 - 6

Common Code _____
 Chip Diode _____

Package _____
 NBS08 = Narrow Body SOIC8 Package

Model _____
 SRDA = Steering/TVS Diode Array

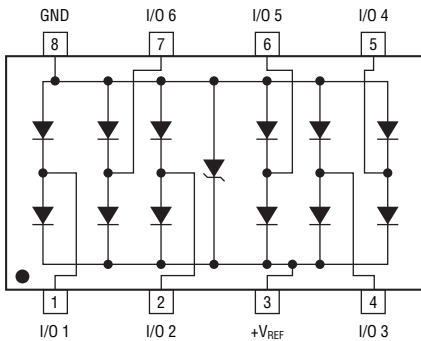
Working Peak Reverse Voltage _____
 3.3 = 3.3 V_{RWM} (Volts)
 05 = 5.0 V_{RWM} (Volts)

Number of Protection Lines _____
 6 = 6 Lines

Specifications are subject to change without notice.
 Customers should verify actual device performance in their specific applications.

CDNBS08-SRDAXX-6 - Steering Diode/TVS Array Combo

Block Diagram

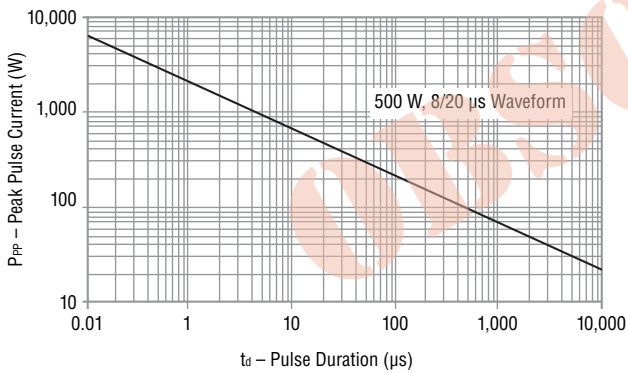


Device Pinout

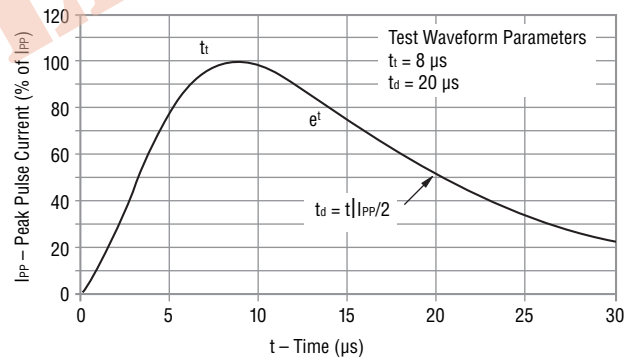
Pin	Function
1	I/O 1
2	I/O 2
3	+V _{REF}
4	I/O 3
5	I/O 4
6	I/O 5
7	I/O 6
8	GND

Performance Graphs

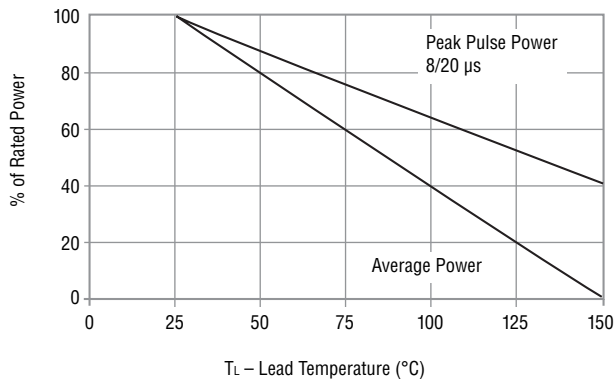
Peak Pulse Power vs Pulse Time



Pulse Waveform



Power Derating Curve

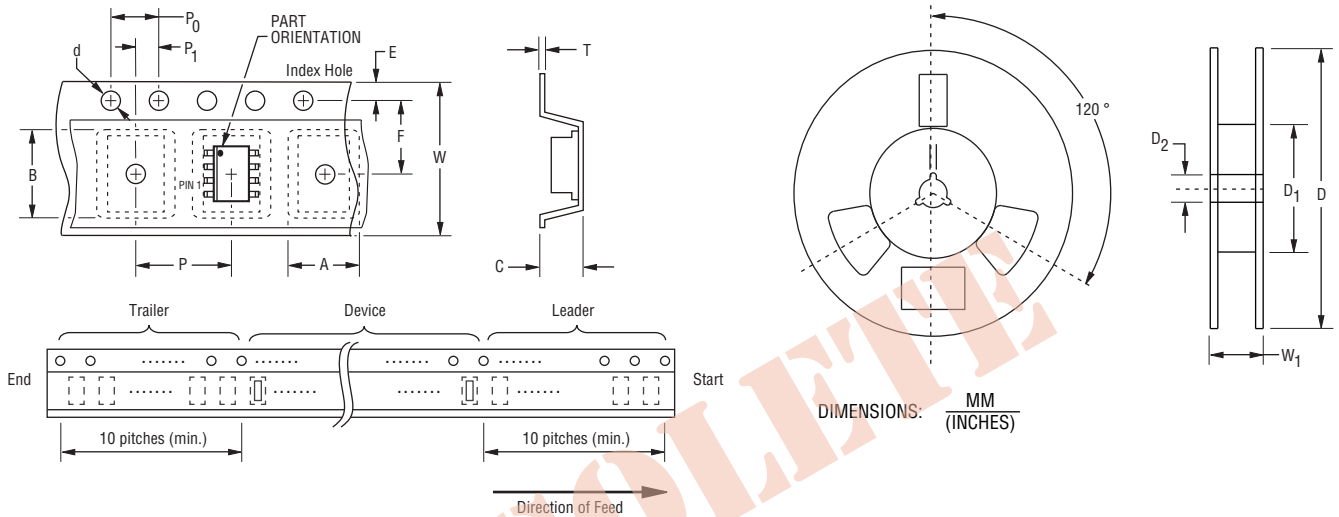


CDNBS08-SRDAXx-6 - Steering Diode/TVS Array Combo

BOURNS®

Packaging Information

The product is packaged in tape and reel format per EIA-481 standard.



Item	Symbol	NSOIC 8L
Carrier Width	A	$\frac{6.7 \pm 0.10}{(0.264 \pm 0.004)}$
Carrier Length	B	$\frac{5.5 \pm 0.10}{(0.217 \pm 0.004)}$
Carrier Depth	C	$\frac{2.10 \pm 0.10}{(0.083 \pm 0.004)}$
Sprocket Hole	d	$\frac{1.55 \pm 0.05}{(0.061 \pm 0.002)}$
Reel Outside Diameter	D	$\frac{330}{(12.992)}$
Reel Inner Diameter	D ₁	$\frac{80.0}{(3.1500)}$ MIN.
Feed Hole Diameter	D ₂	$\frac{13.0 \pm 0.20}{(0.512 \pm 0.008)}$
Sprocket Hole Position	E	$\frac{1.75 \pm 0.10}{(0.069 \pm 0.004)}$
Punch Hole Position	F	$\frac{3.50 \pm 0.05}{(0.138 \pm 0.002)}$
Punch Hole Pitch	P	$\frac{8.00 \pm 0.10}{(0.315 \pm 0.004)}$
Sprocket Hole Pitch	P ₀	$\frac{4.00 \pm 0.10}{(0.157 \pm 0.004)}$
Embossment Center	P ₁	$\frac{2.00 \pm 0.05}{(0.079 \pm 0.002)}$
Overall Tape Thickness	T	$\frac{0.20 \pm 0.10}{(0.008 \pm 0.004)}$
Tape Width	W	$\frac{12.00 \pm 0.20}{(0.472 \pm 0.008)}$
Reel Width	W ₁	$\frac{18.4}{(0.724)}$ MAX.
Quantity per Reel	--	2500

BOURNS®

Asia-Pacific:

Tel: +886-2 2562-4117

Fax: +886-2 2562-4116

Europe:

Tel: +41-41 768 5555

Fax: +41-41 768 5510

The Americas:

Tel: +1-951 781-5500

Fax: +1-951 781-5700

www.bourns.com

REV. 07/17

Specifications are subject to change without notice.
Customers should verify actual device performance in their specific applications.