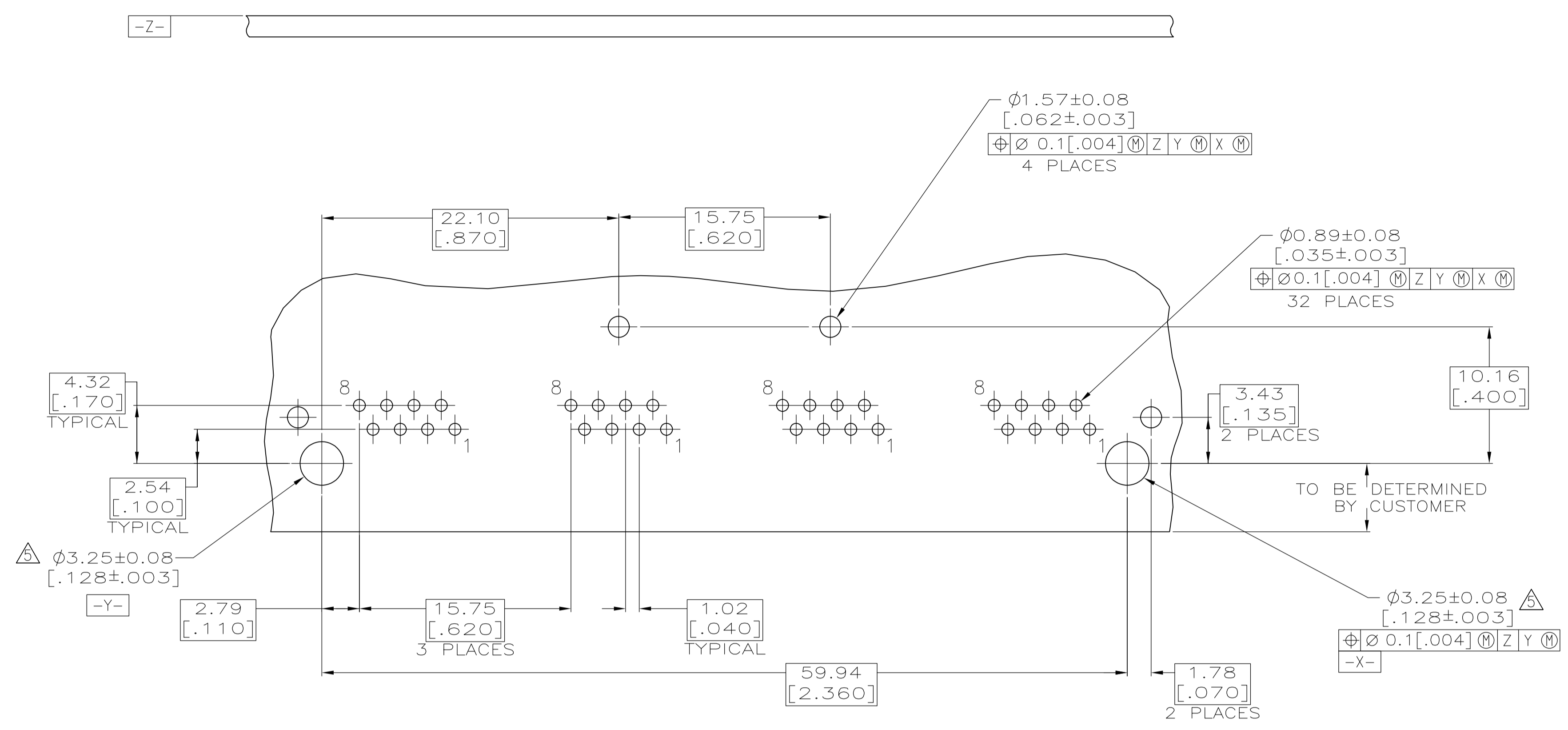
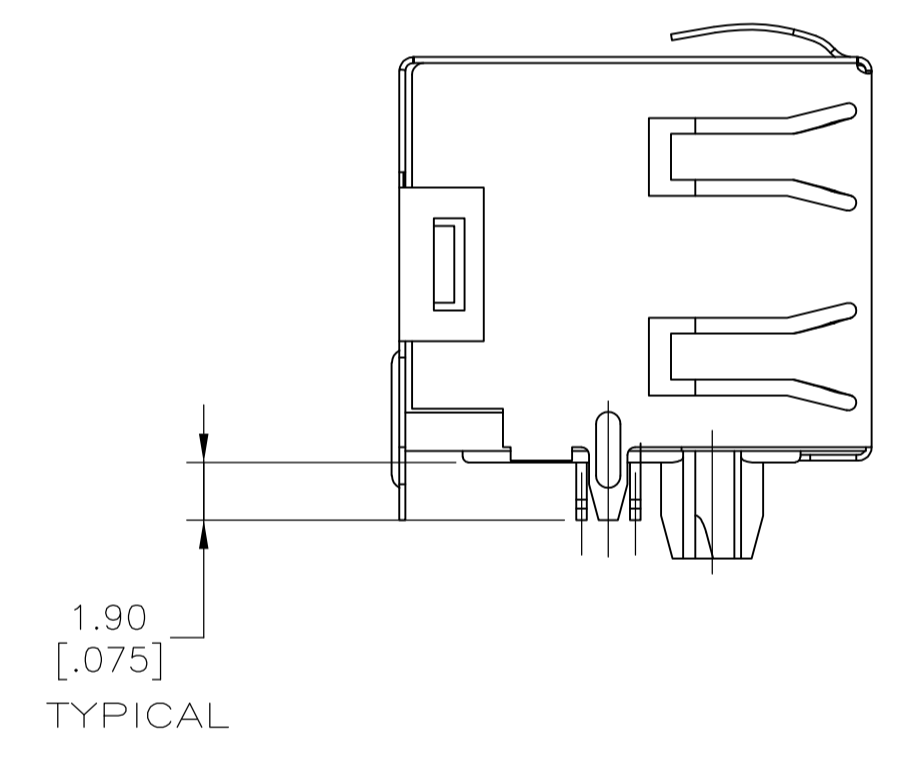
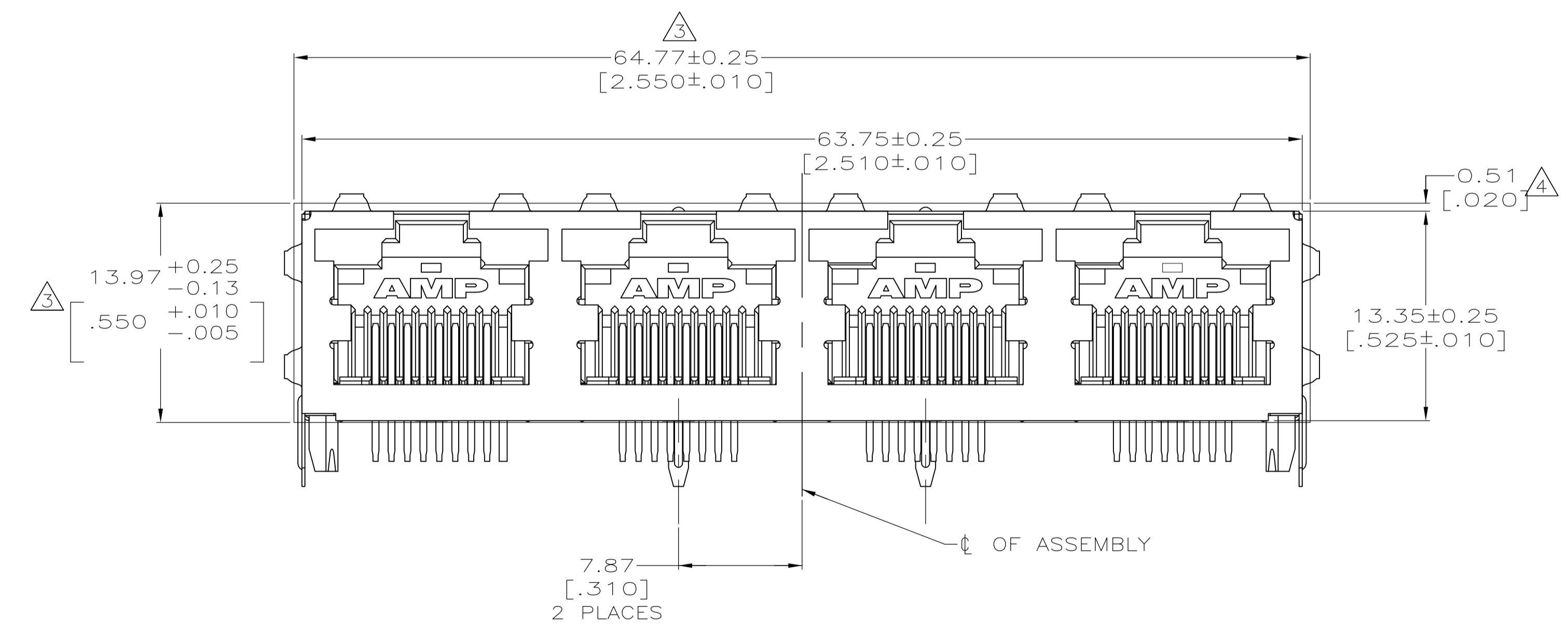
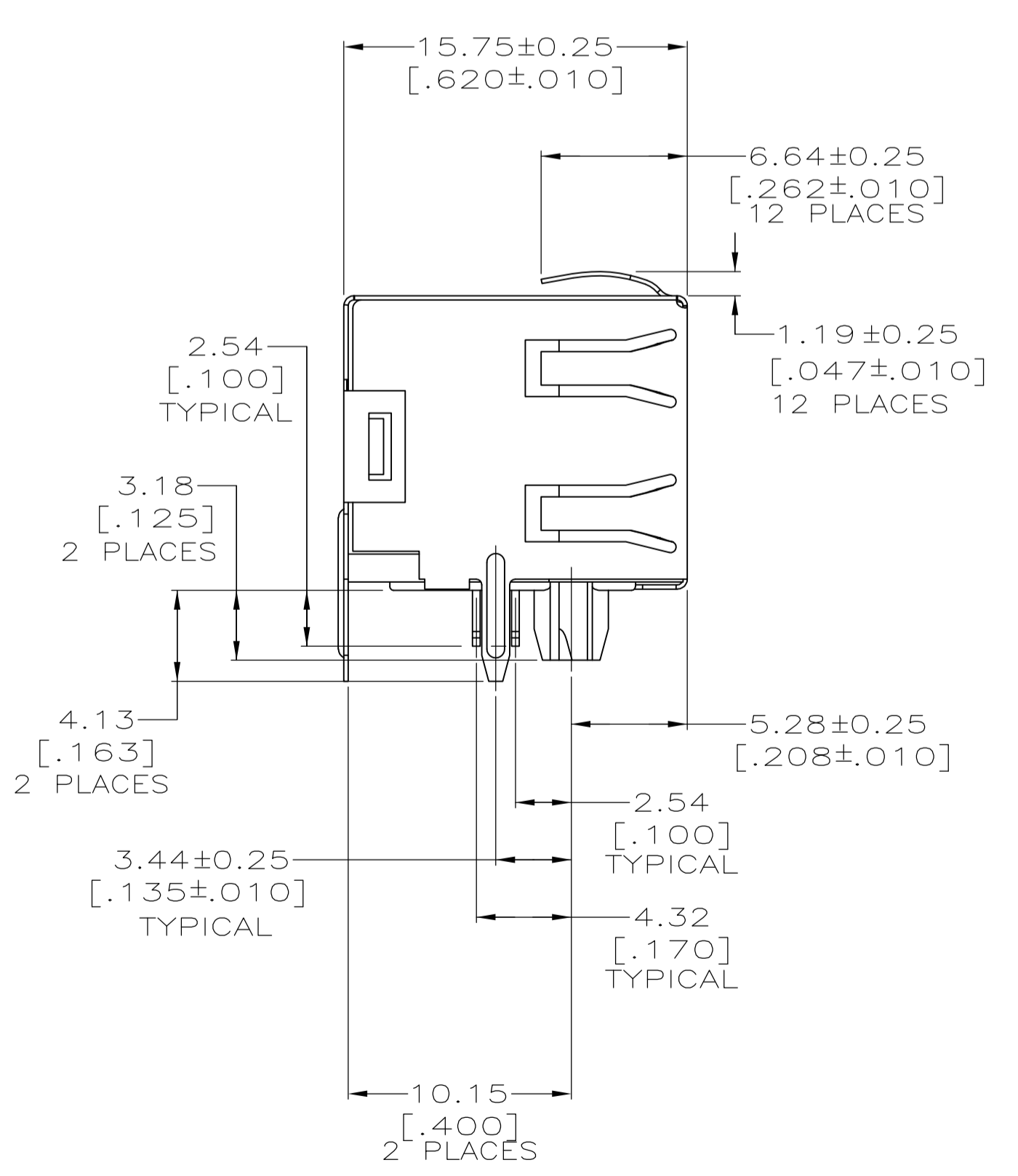


LOC	DIST	REVISIONS				
AA	22	REV	PER	DATE	BY	CHK
		B1	REV PER ECO-14-011533	29JUL2014	CW	SH
		B3	PER ECO-15-016408	28AUG15	AD	SH



SUGGESTED PRINTED CIRCUIT BOARD LAYOUT
(COMPONENT SIDE)



ONLY FOR 5406544-3

- △ MATERIAL:
HOUSING - HIGH TEMPERATURE THERMOPLASTIC, BLACK, UL94V-0.
TERMINALS - .36[.014] THICK PHOS BRONZE PLATED WITH 3.81 μm [.000150] MINIMUM THICK MATTE TIN IN SOLDER AREA. 1.27 μm [.000050] MINIMUM GOLD IN LOCALIZED PLATE AREA. ENTIRE TERMINAL PLATED WITH 1.27 μm [.000050] MINIMUM THICK NICKEL.
SHIELD - .196[.0077] THICK COPPER ZINC ALLOY PREPLATED WITH 1.27 μm [.0000500] MIN NICKEL WITH 2.03 μm [.000080] -3.81 μm [.000150] POST DIP TION ON PCB GROUND TABS.
- 2. JACK CAVITY CONFORMS TO FCC RULES AND REGULATIONS PART 68, SUBPART F.
- △ SUGGESTED PANEL OPENING DIMENSIONS.
- △ SUGGESTED CLEARANCE BETWEEN TOP OF CONNECTOR AND TOP PANEL OPENING.
- △ PLEASE ENSURE THE HOLE IS FULL CIRCLE SHAPE
- △ CAPABLE WITH LEAD FREE IR-REFLOW SOLDERING PROCESS.

THIS DRAWING IS A CONTROLLED DOCUMENT.		DIN J. ALCORTA - 16JUN2005		DOCK 5	
DIMENSIONS: mm [INCHES]		TOLERANCES UNLESS OTHERWISE SPECIFIED:		APVD S. FLICKINGER 16JUN2005	
0. PLC ± -		1. PLC ± -		NAME	
2. PLC ± 0.25[.01]		3. PLC ± 0.13[.005]		PRODUCT SPEC	
4. PLC ± -		ANGLES ± -		108-1163-4	
MATERIAL △		FINISH -		APPLICATION SPEC	
				114-2154	
				SIZE	
				CAGE CODE	
				DRAWING NO	
				RESTRICTED TO	
				A1 00779	
				SCALE 4:1	
				SHEET 1 OF 1	
				REV B3	