

THIS DRAWING IS UNPUBLISHED.

RELEASED FOR PUBLICATION

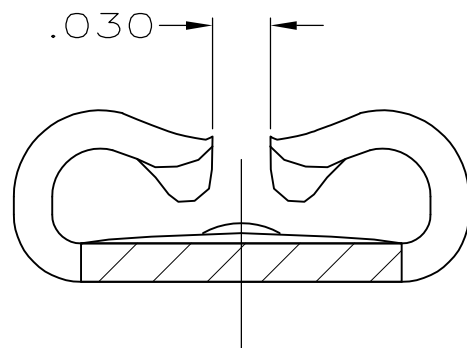
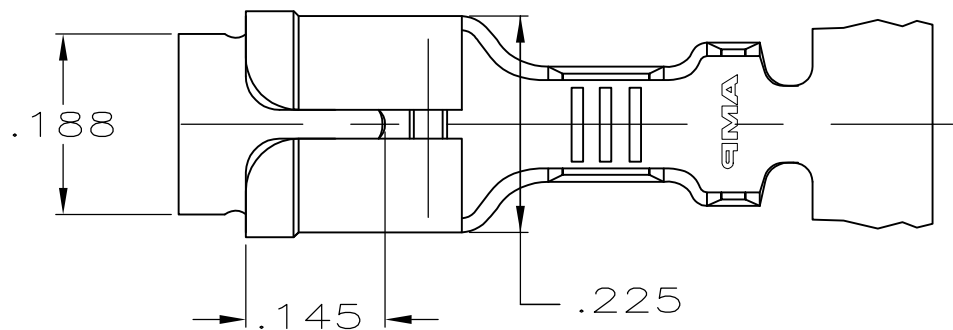
ALL RIGHTS RESERVED.

© COPYRIGHT - By -

LOC AF DIST 50

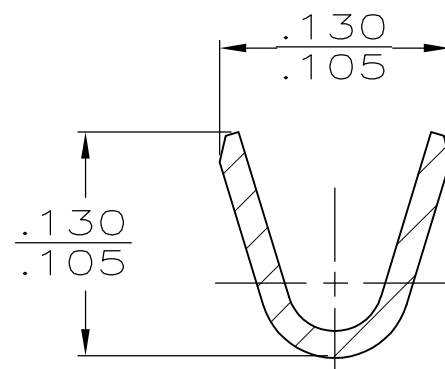
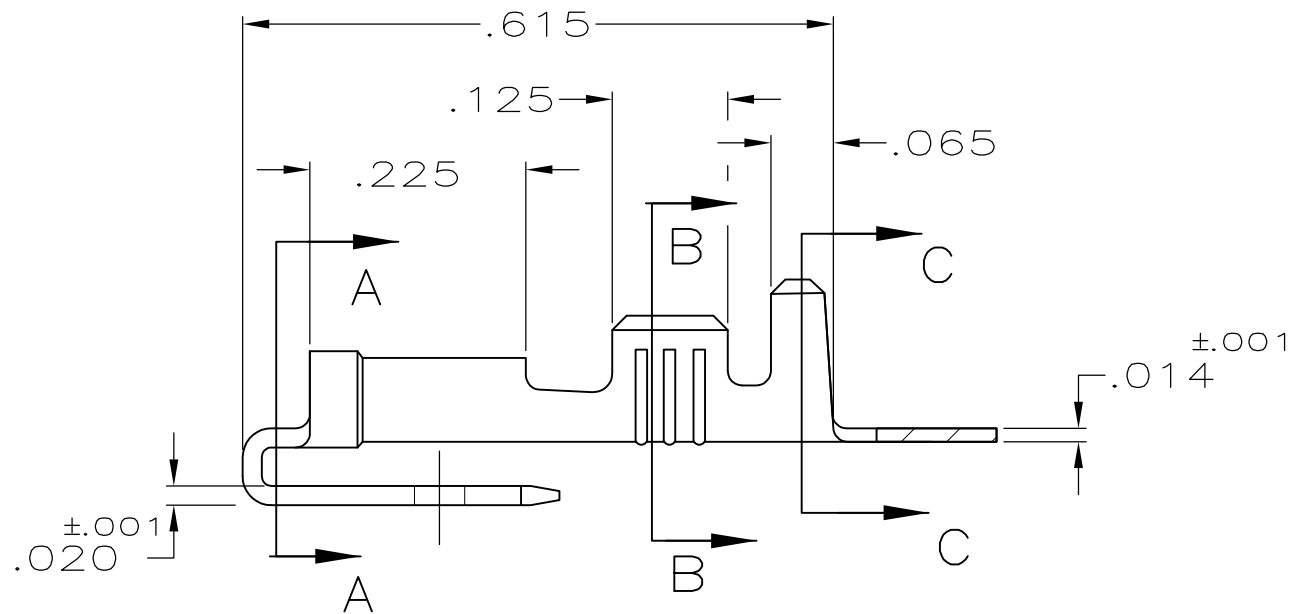
REVISIONS

P	LTR	DESCRIPTION	DATE	DWN	APVD
C		REVISED PER ECR-12-013518	23NOV2012	KH	PD

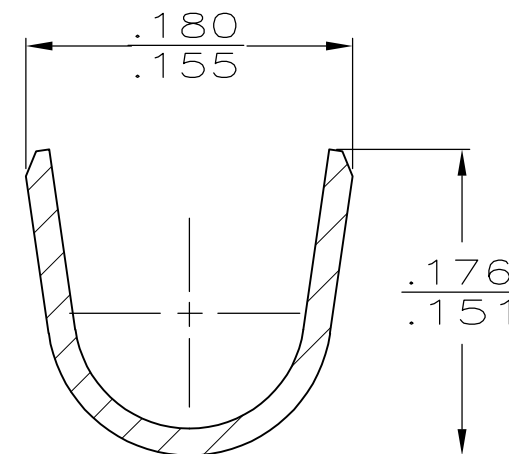


SECTION A-A
SCALE 10:1

1 CONTINUOUS STRIP ON REELS.




SECTION B-B
SCALE 10:1



SECTION C-C
SCALE 10:1

TIN	.090-.130	20-16	.032	63646-2
-				63646-1
FINISH	INSULATION RANGE	WIRE SIZE	MATING TAB THK ±.001	PART NO

THIS DRAWING IS A CONTROLLED DOCUMENT.		DWN JR RUTH 4/23/92	 TE Connectivity RECEPTACLE & TAB, FASTON, PIGGYBACK, .187 SERIES			
DIMENSIONS: INCHES		CHK P FORTNEY 4/23/92				
TOLERANCES UNLESS OTHERWISE SPECIFIED:		APVD C MEYERS 4/23/92				
0 PLC ± - 1 PLC ± - 2 PLC ± - 3 PLC ± .010 4 PLC ± - ANGLES ± -		NAME				
MATERIAL BRASS	FINISH SEE TABLE	PRODUCT SPEC -	SIZE A3	CAGE CODE 00779	DRAWING NO C-63646	RESTRICTED TO -
CUSTOMER DRAWING			SCALE 5:1	SHEET 1 OF 1	REV C	