

## TS3A5018 10-Ω Quad SPDT Analog Switch

### 1 Features

- Low ON-State Resistance (10 Ω)
- Low Charge Injection
- Excellent ON-State Resistance Matching
- Low Total Harmonic Distortion (THD)
- 1.8-V to 3.6-V Single-Supply Operation
- Latch-Up Performance Exceeds 100 mA Per JESD 78, Class II
- ESD Performance Tested Per JESD 22
  - 2000-V Human-Body Mode (A114-B, Class II)
  - 1000-V Charged-Device Model (C101)

### 2 Applications

- Sample-and-Hold Circuits
- Battery-Powered Equipment
- Audio and Video Signal Routing
- Communication Circuits

### 3 Description

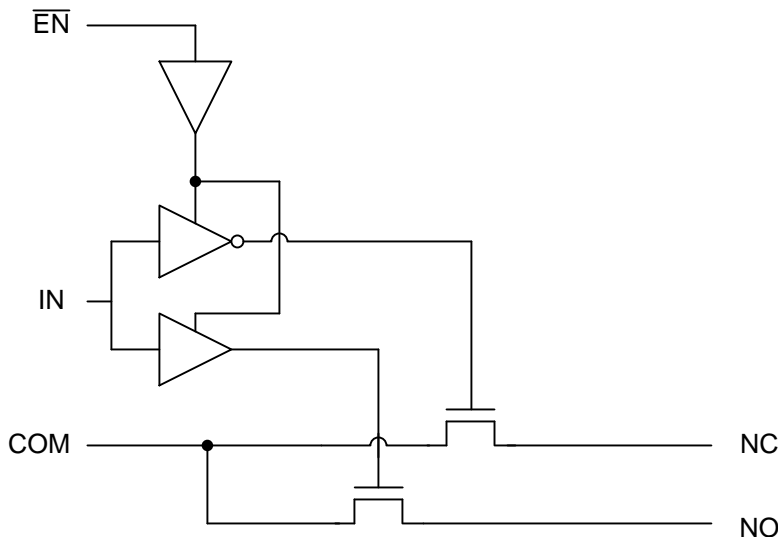
The TS3A5018 device is a quad single-pole double-throw (SPDT) analog switch that is designed to operate from 1.8 V to 3.6 V. This device can handle digital and analog signals, and signals up to  $V_+$  can be transmitted in either direction.

#### Device Information<sup>(1)</sup>

PART NUMBER	PACKAGE	BODY SIZE (NOM)
TS3A5018	SOIC (16)	9.90 mm × 6.00 mm
	SSOP (16)	6.00 mm × 4.90 mm
	TSSOP (16)	5.00 mm × 4.40 mm
	TVSOP (16)	4.40 mm × 3.60 mm
	UQFN (16)	2.50 mm × 1.80 mm
	VQFN (16)	4.00 mm × 3.50 mm

(1) For all available packages, see the orderable addendum at the end of the data sheet.

#### Block Diagram



## Table of Contents

<b>1 Features</b> .....	<b>1</b>	8.1 Overview .....	<b>17</b>
<b>2 Applications</b> .....	<b>1</b>	8.2 Functional Block Diagram (Each Switch).....	<b>17</b>
<b>3 Description</b> .....	<b>1</b>	8.3 Feature Description.....	<b>17</b>
<b>4 Revision History</b> .....	<b>2</b>	8.4 Device Functional Modes.....	<b>17</b>
<b>5 Pin Configuration and Functions</b> .....	<b>3</b>	<b>9 Application and Implementation</b> .....	<b>18</b>
<b>6 Specifications</b> .....	<b>4</b>	9.1 Application Information.....	<b>18</b>
6.1 Absolute Maximum Ratings .....	<b>4</b>	9.2 Typical Application .....	<b>18</b>
6.2 ESD Ratings .....	<b>4</b>	<b>10 Power Supply Recommendations</b> .....	<b>19</b>
6.3 Recommended Operating Conditions.....	<b>4</b>	<b>11 Layout</b> .....	<b>19</b>
6.4 Thermal Information .....	<b>4</b>	11.1 Layout Guidelines .....	<b>19</b>
6.5 Electrical Characteristics for 3.3-V Supply.....	<b>5</b>	11.2 Layout Example .....	<b>19</b>
6.6 Electrical Characteristics for 2.5-V Supply .....	<b>6</b>	<b>12 Device and Documentation Support</b> .....	<b>20</b>
6.7 Electrical Characteristics for 2.1-V Supply.....	<b>7</b>	12.1 Device Support .....	<b>20</b>
6.8 Electrical Characteristics for 1.8-V Supply.....	<b>7</b>	12.2 Documentation Support .....	<b>21</b>
6.9 Switching Characteristics for 3.3-V Supply.....	<b>8</b>	12.3 Receiving Notification of Documentation Updates	<b>21</b>
6.10 Switching Characteristics for 2.5-V Supply.....	<b>8</b>	12.4 Community Resources.....	<b>21</b>
6.11 Switching Characteristics for 1.8-V Supply.....	<b>9</b>	12.5 Trademarks .....	<b>21</b>
6.12 Typical Characteristics .....	<b>10</b>	12.6 Electrostatic Discharge Caution.....	<b>21</b>
<b>7 Parameter Measurement Information</b> .....	<b>13</b>	12.7 Glossary .....	<b>21</b>
<b>8 Detailed Description</b> .....	<b>17</b>	<b>13 Mechanical, Packaging, and Orderable Information</b> .....	<b>21</b>

## 4 Revision History

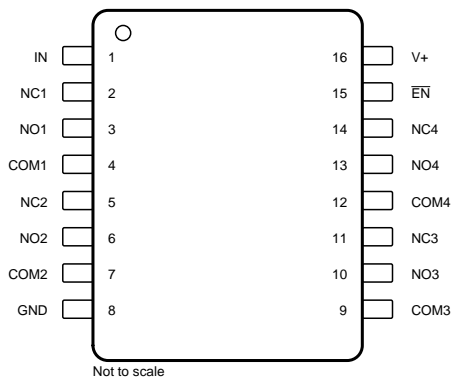
NOTE: Page numbers for previous revisions may differ from page numbers in the current version.

<b>Changes from Revision G (March 2015) to Revision H</b>	<b>Page</b>
• Changed the pinout images.....	<b>3</b>
• Changed the $r_{on}$ MAX value at 25°C From: 8 $\Omega$ To: 17 $\Omega$ in the <i>Electrical Characteristics for 1.8-V Supply</i> table.....	<b>7</b>
• Changed the $r_{on}$ MAX value at Full From: 14.55 $\Omega$ To: 32 $\Omega$ in the <i>Electrical Characteristics for 1.8-V Supply</i> table.....	<b>7</b>

<b>Changes from Revision F (June 2013) to Revision G</b>	<b>Page</b>
• Added <i>Applications</i> , <i>Device Information</i> table, <i>Pin Functions</i> table, <i>ESD Ratings</i> table, <i>Thermal Information</i> table, <i>Typical Characteristics</i> , <i>Feature Description</i> section, <i>Device Functional Modes</i> , <i>Application and Implementation</i> section, <i>Power Supply Recommendations</i> section, <i>Layout</i> section, <i>Device and Documentation Support</i> section, and <i>Mechanical, Packaging, and Orderable Information</i> section. ....	<b>1</b>
• Deleted <i>Ordering Information</i> table. ....	<b>1</b>

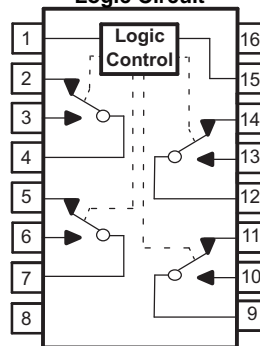
## 5 Pin Configuration and Functions

**D, DBQ, DGV and PW Package  
16-Pin SOIC, SSOP, TVSOP and TSSOP  
(Top View)**

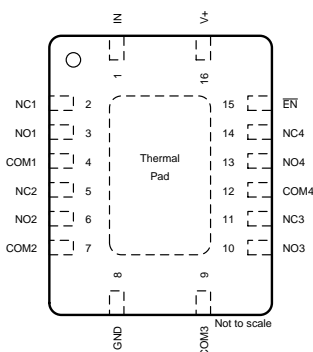


Not to scale

**Logic Circuit**

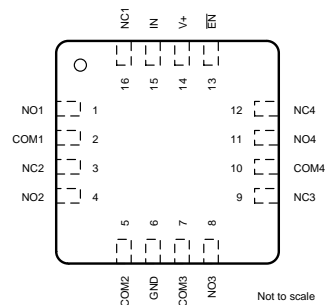


**RGY Package  
16-Pin VQFN  
(Top View)**



Not to scale

**RSV Package  
16-Pin UQFN  
(Top View)**



Not to scale

### Pin Functions

NAME	PIN		TYPE	DESCRIPTION
	SOIC, SSOP, TVSOP, VQFN NO.	UQFN NO.		
COM1	4	2	I/O	Common path for switch
COM2	7	5	I/O	Common path for switch
COM3	9	7	I/O	Common path for switch
COM4	12	10	I/O	Common path for switch
EN	15	13	I	Active-low switch enable input
GND	8	6	—	Ground
IN	1	15	I	Switch path selector input
NC1	2	16	I/O	Normally closed path for switch
NC2	5	3	I/O	Normally closed path for switch
NC3	11	9	I/O	Normally closed path for switch
NC4	14	12	I/O	Normally closed path for switch
NO1	3	1	I/O	Normally open path for switch
NO2	6	4	I/O	Normally open path for switch
NO3	10	8	I/O	Normally open path for switch
NO4	13	11	I/O	Normally open path for switch
V+	16	14	—	Supply voltage

## 6 Specifications

### 6.1 Absolute Maximum Ratings

 over operating free-air temperature range (unless otherwise noted)<sup>(1)(2)</sup>

		MIN	MAX	UNIT		
V <sub>+</sub>	Supply voltage <sup>(3)</sup>	-0.5	4.6	V		
V <sub>NC</sub>	Analog voltage <sup>(3)(4)</sup>	-0.5	4.6	V		
V <sub>NO</sub>						
V <sub>COM</sub>						
I <sub>K</sub>	Analog port diode current	V <sub>NC</sub> , V <sub>NO</sub> , V <sub>COM</sub> < 0		-50	mA	
I <sub>NC</sub>	ON-state switch current	V <sub>NC</sub> , V <sub>NO</sub> , V <sub>COM</sub> = 0 to 7 V		-64	64	mA
I <sub>NO</sub>						
I <sub>COM</sub>						
V <sub>I</sub>	Digital input voltage <sup>(3)(4)</sup>	-0.5	4.6	V		
I <sub>IK</sub>	Digital input clamp current	V <sub>I</sub> < 0		-50	mA	
I <sub>+</sub>	Continuous current through V <sub>+</sub>	-100	100	mA		
I <sub>GND</sub>	Continuous current through GND	-100	100	mA		
T <sub>stg</sub>	Storage temperature	-65	150	°C		

- (1) Stresses beyond those listed under *Absolute Maximum Ratings* may cause permanent damage to the device. These are stress ratings only, and functional operation of the device at these or any other conditions beyond those indicated under *Recommended Operating Conditions* is not implied. Exposure to absolute-maximum-rated conditions for extended periods may affect device reliability.
- (2) The algebraic convention, whereby the most negative value is a minimum and the most positive value is a maximum
- (3) All voltages are with respect to ground, unless otherwise specified.
- (4) The input and output voltage ratings may be exceeded if the input and output clamp-current ratings are observed.

### 6.2 ESD Ratings

		VALUE	UNIT
V <sub>(ESD)</sub>	Electrostatic discharge	Human-body model (HBM), per ANSI/ESDA/JEDEC JS-001 <sup>(1)</sup>	±2000
		Charged-device model (CDM), per JEDEC specification JESD22-C101 <sup>(2)</sup>	±1000

- (1) JEDEC document JEP155 states that 500-V HBM allows safe manufacturing with a standard ESD control process.
- (2) JEDEC document JEP157 states that 250-V CDM allows safe manufacturing with a standard ESD control process.

### 6.3 Recommended Operating Conditions

over operating free-air temperature range (unless otherwise noted)

		MIN	MAX	UNIT
V <sub>I/O</sub>	Switch input and output voltage	0	V <sub>+</sub>	V
V <sub>+</sub>	Supply voltage	1.65	3.6	V
V <sub>I</sub>	Control input voltage	0	3.6	V
T <sub>A</sub>	Operating temperature	-40	85	°C

### 6.4 Thermal Information

THERMAL METRIC <sup>(1)</sup>	TS3A5018						UNIT	
	D (SOIC)	DBQ (SSOP)	DGV (TVSOP)	PW (TSSOP)	RGY (VQFN)	RSV (UQFN)		
	16 PINS	16 PINS	16 PINS	16 PINS	16 PINS	16 PINS		
R <sub>θJA</sub>	Junction-to-ambient thermal resistance	73	90	120	108	51	184	°C/W

- (1) For more information about traditional and new thermal metrics, see the [Semiconductor and IC Package Thermal Metrics](#) application report.

## 6.5 Electrical Characteristics for 3.3-V Supply

 $V_+ = 3\text{ V to }3.6\text{ V}$ ,  $T_A = -40^\circ\text{C to }85^\circ\text{C}$  (unless otherwise noted)<sup>(1)</sup>

PARAMETER		TEST CONDITIONS		$T_A$	$V_+$	MIN	TYP	MAX	UNIT
<b>Analog Switch</b>									
$V_{COM}, V_{NO}, V_{NC}$	Analog signal range					0		$V_+$	V
$r_{on}$	ON-state resistance	$0 \leq (V_{NC} \text{ or } V_{NO}) \leq V_+$ , $I_{COM} = -32\text{ mA}$ ,	Switch ON, see <a href="#">Figure 17</a>	25°C	3 V		7	10	$\Omega$
				Full			12		
$\Delta r_{on}$	ON-state resistance match between channels	$V_{NC} \text{ or } V_{NO} = 2.1\text{ V}$ , $I_{COM} = -32\text{ mA}$ ,	Switch ON, see <a href="#">Figure 17</a>	25°C	3 V		0.3	0.8	$\Omega$
				Full			1		
$r_{on(Flat)}$	ON-state resistance flatness	$0 \leq (V_{NC} \text{ or } V_{NO}) \leq V_+$ , $I_{COM} = -32\text{ mA}$ ,	Switch ON, see <a href="#">Figure 17</a>	25°C	3 V		5	7	$\Omega$
				Full			8		
$I_{NC(OFF)}, I_{NO(OFF)}$	NC, NO OFF leakage current	$V_{NC} \text{ or } V_{NO} = 1\text{ V}$ , $V_{COM} = 3\text{ V}$ , or $V_{NC} \text{ or } V_{NO} = 3\text{ V}$ , $V_{COM} = 1\text{ V}$ , $V_{NC} \text{ or } V_{NO} = 0\text{ to }3.6\text{ V}$ , $V_{COM} = 3.6\text{ V to }0$ , or $V_{NC} \text{ or } V_{NO} = 3.6\text{ V to }0$ , $V_{COM} = 0\text{ to }3.6\text{ V}$ ,	Switch OFF, see <a href="#">Figure 18</a>	25°C	3.6 V	-0.1	0.05	0.1	$\mu\text{A}$
				Full		-0.2		0.2	
$I_{NC(OFF)}, I_{NO(OFF)}$	NC, NO OFF leakage current	$V_{NC} \text{ or } V_{NO} = 0\text{ to }3.6\text{ V}$ , $V_{COM} = 3.6\text{ V to }0$ , or $V_{NC} \text{ or } V_{NO} = 3.6\text{ V to }0$ , $V_{COM} = 0\text{ to }3.6\text{ V}$ ,	Switch OFF, see <a href="#">Figure 18</a>	25°C	0 V	-2	0.05	2	$\mu\text{A}$
				Full		-10		10	
$I_{COM(OFF)}$	COM OFF leakage current	$V_{COM} = 1\text{ V}$ , $V_{NC} \text{ or } V_{NO} = 3\text{ V}$ , or $V_{COM} = 3\text{ V}$ , $V_{NC} \text{ or } V_{NO} = 3\text{ V}$ , $V_{COM} = 0\text{ to }3.6\text{ V}$ , $V_{NC} \text{ or } V_{NO} = 3.6\text{ V to }0$ , or $V_{COM} = 3.6\text{ V to }0$ , $V_{NC} \text{ or } V_{NO} = 0\text{ to }3.6\text{ V}$ ,	Switch OFF, see <a href="#">Figure 18</a>	25°C	3.6 V	-0.1	0.05	0.1	$\mu\text{A}$
				Full		-0.2		0.2	
$I_{COM(OFF)}$	COM OFF leakage current	$V_{COM} = 0\text{ to }3.6\text{ V}$ , $V_{NC} \text{ or } V_{NO} = 3.6\text{ V to }0$ , or $V_{COM} = 3.6\text{ V to }0$ , $V_{NC} \text{ or } V_{NO} = 0\text{ to }3.6\text{ V}$ ,	Switch OFF, see <a href="#">Figure 18</a>	25°C	0 V	-2	0.05	2	$\mu\text{A}$
				Full		-10		10	
$I_{NC(ON)}, I_{NO(ON)}$	NC, NO ON leakage current	$V_{NC} \text{ or } V_{NO} = 1\text{ V}$ , $V_{COM} = \text{Open}$ , or $V_{NC} \text{ or } V_{NO} = 3\text{ V}$ , $V_{COM} = \text{Open}$ ,	Switch ON, see <a href="#">Figure 19</a>	25°C	3.6 V	-0.1	0.05	0.1	$\mu\text{A}$
				Full		-0.2		0.2	
$I_{COM(ON)}$	COM ON leakage current	$V_{COM} = 1\text{ V}$ , $V_{NC} \text{ or } V_{NO} = \text{Open}$ , or $V_{COM} = 3\text{ V}$ , $V_{NC} \text{ or } V_{NO} = \text{Open}$ ,	Switch ON, see <a href="#">Figure 19</a>	25°C	3.6 V	-0.1	0.05	0.1	$\mu\text{A}$
				Full		-0.2		0.2	
$V_{IH}$	Input logic high			Full		2		$V_+$	V
$V_{IL}$	Input logic low			Full		0		0.8	V
$I_{IH}, I_{IL}$	Input leakage current	$V_i = V_+ \text{ or } 0$		25°C	3.6 V	-1	0.05	1	$\mu\text{A}$
				Full		-1		1	
$Q_C$	Charge injection	$V_{GEN} = 0$ , $R_{GEN} = 0$ ,	$C_L = 0.1\text{ nF}$ , see <a href="#">Figure 26</a>	25°C	3.3 V		2		pC
$C_{NC(OFF)}, C_{NO(OFF)}$	NC, NO OFF capacitance	$V_{NC} \text{ or } V_{NO} = V_+ \text{ or GND}$ ,	Switch OFF, see <a href="#">Figure 20</a>	25°C	3.3 V		4.5		pF
$C_{COM(OFF)}$	COM OFF capacitance	$V_{COM} = V_+ \text{ or GND}$ ,	Switch OFF, see <a href="#">Figure 20</a>	25°C	3.3 V		9		pF
$C_{NC(ON)}, C_{NO(ON)}$	NC, NO ON capacitance	$V_{NC} \text{ or } V_{NO} = V_+ \text{ or GND}$ ,	Switch ON, see <a href="#">Figure 20</a>	25°C	3.3 V		16		pF
$C_{COM(ON)}$	COM ON capacitance	$V_{COM} = V_+ \text{ or GND}$ ,	Switch ON, see <a href="#">Figure 20</a>	25°C	3.3 V		16		pF

(1) The algebraic convention is used in this data sheet; the most negative value is shown in the minimum column.

**Electrical Characteristics for 3.3-V Supply (continued)**
 $V_+ = 3\text{ V to }3.6\text{ V}$ ,  $T_A = -40^\circ\text{C to }85^\circ\text{C}$  (unless otherwise noted)<sup>(1)</sup>

PARAMETER		TEST CONDITIONS		$T_A$	$V_+$	MIN	TYP	MAX	UNIT
$C_i$	Digital input capacitance	$V_i = V_+$ or GND,	See <a href="#">Figure 20</a>	25°C	3.3 V		3		pF
BW	Bandwidth	$R_L = 50\ \Omega$ ,	Switch ON, see <a href="#">Figure 22</a>	25°C	3.3 V		300		MHz
$O_{ISO}$	OFF isolation	$R_L = 50\ \Omega$ , $f = 10\text{ MHz}$ ,	Switch OFF, see <a href="#">Figure 23</a>	25°C	3.3 V		-48		dB
$X_{TALK}$	Crosstalk	$R_L = 50\ \Omega$ , $f = 10\text{ MHz}$ ,	Switch ON, see <a href="#">Figure 24</a>	25°C	3.3 V		-48		dB
$X_{TALK(ADJ)}$	Crosstalk adjacent	$R_L = 50\ \Omega$ , $f = 10\text{ MHz}$ ,	Switch ON, see <a href="#">Figure 25</a>	25°C	3.3 V		-81		dB
THD	Total harmonic distortion	$R_L = 600\ \Omega$ , $C_L = 50\text{ pF}$ ,	$f = 20\text{ Hz to }20\text{ kHz}$ , see <a href="#">Figure 27</a>	25°C	3.3 V		0.21%		
$I_+$	Positive supply current	$V_i = V_+$ or GND,	Switch ON or OFF	25°C	3.6 V		2.5	7	$\mu\text{A}$
				Full				10	

**6.6 Electrical Characteristics for 2.5-V Supply**
 $V_+ = 2.3\text{ V to }2.7\text{ V}$ ,  $T_A = -40^\circ\text{C to }85^\circ\text{C}$  (unless otherwise noted)<sup>(1)</sup>

PARAMETER		TEST CONDITIONS		$T_A$	$V_+$	MIN	TYP	MAX	UNIT
$V_{COM}, V_{NC}, V_{NO}$	Analog signal range					0		$V_+$	V
$r_{on}$	ON-state resistance	$0 \leq (V_{NC} \text{ or } V_{NO}) \leq V_+$ , $I_{COM} = -24\text{ mA}$ ,	Switch ON, see <a href="#">Figure 17</a>	25°C	2.3 V		12	20	$\Omega$
				Full			22		
$\Delta r_{on}$	ON-state resistance match between channels	$V_{NC} \text{ or } V_{NO} = 1.6\text{ V}$ , $I_{COM} = -24\text{ mA}$ ,	Switch ON, see <a href="#">Figure 17</a>	25°C	2.3 V		0.3	1	$\Omega$
				Full			2		
$r_{on(Flat)}$	ON-state resistance flatness	$0 \leq (V_{NC} \text{ or } V_{NO}) \leq V_+$ , $I_{COM} = -24\text{ mA}$ ,	Switch ON, see <a href="#">Figure 17</a>	25°C	2.3 V		14	18	$\Omega$
				Full			20		
$I_{NC(OFF)}, I_{NO(OFF)}$	NC, NO OFF leakage current	$V_{NC} \text{ or } V_{NO} = 0.5\text{ V}$ , $V_{COM} = 2.2\text{ V}$ , or $V_{NC} \text{ or } V_{NO} = 2.2\text{ V}$ , $V_{COM} = 0.5\text{ V}$ ,	Switch OFF, see <a href="#">Figure 18</a>	25°C	2.7 V	-0.1	0.05	0.1	$\mu\text{A}$
				Full			-0.2	0.2	
$I_{NC(OFF)}, I_{NO(OFF)}$	NC, NO OFF leakage current	$V_{NC} \text{ or } V_{NO} = 0 \text{ to } 3.6\text{ V}$ , $V_{COM} = 3.6\text{ V to } 0$ , or $V_{NC} \text{ or } V_{NO} = 3.6\text{ V to } 0$ , $V_{COM} = 0 \text{ to } 3.6\text{ V}$ ,	Switch OFF, see <a href="#">Figure 18</a>	25°C	0 V	-2	0.05	2	$\mu\text{A}$
				Full			-10	10	
$I_{COM(OFF)}$	COM OFF leakage current	$V_{COM} = 0.5\text{ V}$ , $V_{NC} \text{ or } V_{NO} = 2.2\text{ V}$ , or $V_{COM} = 2.2\text{ V}$ , $V_{NC} \text{ or } V_{NO} = 0.5\text{ V}$ ,	Switch OFF, see <a href="#">Figure 18</a>	25°C	2.7 V	-0.1	0.05	0.1	$\mu\text{A}$
				Full			-0.2	0.2	
$I_{COM(OFF)}$	COM OFF leakage current	$V_{COM} = 0 \text{ to } 3.6\text{ V}$ , $V_{NC} \text{ or } V_{NO} = 3.6\text{ V to } 0$ , or $V_{COM} = 3.6\text{ V to } 0$ , $V_{NC} \text{ or } V_{NO} = 0 \text{ to } 3.6\text{ V}$ ,	Switch OFF, see <a href="#">Figure 18</a>	25°C	0 V	-2	0.05	2	$\mu\text{A}$
				Full			-10	10	
$I_{NC(ON)}, I_{NO(ON)}$	NC, NO ON leakage current	$V_{NC} \text{ or } V_{NO} = 0.5\text{ V}$ , $V_{COM} = \text{Open}$ , or $V_{NC} \text{ or } V_{NO} = 2.2\text{ V}$ , $V_{COM} = \text{Open}$ ,	Switch ON, see <a href="#">Figure 19</a>	25°C	2.7 V	-0.1	0.05	0.1	$\mu\text{A}$
				Full			-0.2	0.2	
$I_{COM(ON)}$	COM ON leakage current	$V_{COM} = 0.5\text{ V}$ , $V_{NC} \text{ or } V_{NO} = \text{Open}$ , or $V_{COM} = 2.2\text{ V}$ , $V_{NC} \text{ or } V_{NO} = \text{Open}$ ,	Switch ON, see <a href="#">Figure 19</a>	25°C	2.7 V	-0.1	0.05	0.1	$\mu\text{A}$
				Full			-0.2	0.2	
$V_{IH}$	Input logic high			Full		1.7		$V_+$	V
$V_{IL}$	Input logic low			Full		0		0.7	V

(1) The algebraic convention is used in this data sheet; the most negative value is shown in the minimum column.

## Electrical Characteristics for 2.5-V Supply (continued)

 $V_+ = 2.3 \text{ V to } 2.7 \text{ V}$ ,  $T_A = -40^\circ\text{C to } 85^\circ\text{C}$  (unless otherwise noted)<sup>(1)</sup>

PARAMETER	TEST CONDITIONS	$T_A$	$V_+$	MIN	TYP	MAX	UNIT	
$I_{IH}$ , $I_{IL}$	Input leakage current	$V_I = V_+$ or 0	25°C	2.7 V	-0.1	0.05	0.1	$\mu\text{A}$
			Full		-1	1		
$Q_C$	Charge injection	$V_{GEN} = 0$ , $R_{GEN} = 0$ ,	$C_L = 0.1 \text{ nF}$ , see <a href="#">Figure 26</a>	25°C	2.5 V	1	pC	
$C_{NC(OFF)}$ , $C_{NO(OFF)}$	NC, NO OFF capacitance	$V_{NC}$ or $V_{NO} = V_+$ or GND,	Switch OFF, see <a href="#">Figure 20</a>	25°C	2.5 V	3	pF	
$C_{COM(OFF)}$	COM OFF capacitance	$V_{COM} = V_+$ or GND,	Switch OFF, see <a href="#">Figure 20</a>	25°C	2.5 V	9	pF	
$C_{NC(ON)}$ , $C_{NO(ON)}$	NC, NO ON capacitance	$V_{NC}$ or $V_{NO} = V_+$ or GND,	Switch ON, see <a href="#">Figure 20</a>	25°C	2.5 V	16	pF	
$C_{COM(ON)}$	COM ON capacitance	$V_{COM} = V_+$ or GND,	Switch ON, see <a href="#">Figure 20</a>	25°C	2.5 V	16	pF	
$C_I$	Digital input capacitance	$V_I = V_+$ or GND,	See <a href="#">Figure 20</a>	25°C	2.5 V	3	pF	
BW	Bandwidth	$R_L = 50 \Omega$ ,	Switch ON, see <a href="#">Figure 22</a>	25°C	2.5 V	300	MHz	
$O_{ISO}$	OFF isolation	$R_L = 50 \Omega$ , $f = 10 \text{ MHz}$ ,	Switch OFF, see <a href="#">Figure 23</a>	25°C	2.5 V	-48	dB	
$X_{TALK}$	Crosstalk	$R_L = 50 \Omega$ , $f = 10 \text{ MHz}$ ,	Switch ON, see <a href="#">Figure 24</a>	25°C	2.5 V	-48	dB	
$X_{TALK(ADJ)}$	Crosstalk adjacent	$R_L = 50 \Omega$ , $f = 10 \text{ MHz}$ ,	Switch ON, see <a href="#">Figure 25</a>	25°C	3.3 V	-81	dB	
THD	Total harmonic distortion	$R_L = 600 \Omega$ , $C_L = 50 \text{ pF}$ ,	$f = 20 \text{ Hz to } 20 \text{ kHz}$ , see <a href="#">Figure 27</a>	25°C	2.5 V	0.33%		
$I_+$	Positive supply current	$V_I = V_+$ or GND,	Switch ON or OFF	25°C	2.7 V	2.5	7	$\mu\text{A}$
				Full		10		

## 6.7 Electrical Characteristics for 2.1-V Supply

 $V_+ = 2.00 \text{ V to } 2.20 \text{ V}$ ,  $T_A = -40^\circ\text{C to } 85^\circ\text{C}$  (unless otherwise noted)<sup>(1)</sup>

PARAMETER	TEST CONDITIONS	$T_A$	$V_+$	MIN	TYP	MAX	UNIT
$V_{IH}$	Input logic high	Full		1.2		4.3	V
$V_{IL}$	Input logic low	Full		0		0.5	V

(1) The algebraic convention is used in this data sheet; the most negative value is shown in the minimum column.

## 6.8 Electrical Characteristics for 1.8-V Supply

 $V_+ = 1.65 \text{ V to } 1.95 \text{ V}$ ,  $T_A = -40^\circ\text{C to } 85^\circ\text{C}$  (unless otherwise noted)<sup>(1)</sup>

PARAMETER	TEST CONDITIONS	$T_A$	$V_+$	MIN	TYP	MAX	UNIT	
$V_{COM}$ , $V_{NC}$ , $V_{NO}$	Analog signal range			0		$V_+$	V	
$r_{on}$	ON-state resistance	$0 \leq (V_{NC} \text{ or } V_{NO}) \leq V_+$ , $I_{COM} = -32 \text{ mA}$ ,	Switch ON, see <a href="#">Figure 17</a>	25°C	1.65 V	5.5	17	$\Omega$
				Full		32		
$\Delta r_{on}$	ON-state resistance match between channels	$V_{NC}$ or $V_{NO} = 1.5 \text{ V}$ , $I_{COM} = -32 \text{ mA}$ ,	Switch ON, see <a href="#">Figure 17</a>	25°C	1.65 V	0.3	1	$\Omega$
				Full		1.2		
$r_{on(Flat)}$	ON-state resistance flatness	$0 \leq (V_{NC} \text{ or } V_{NO}) \leq V_+$ , $I_{COM} = -32 \text{ mA}$ ,	Switch ON, see <a href="#">Figure 17</a>	25°C	1.65 V	2.7	5.5	$\Omega$
				Full		7.3		

(1) The algebraic convention is used in this data sheet; the most negative value is shown in the minimum column.

**Electrical Characteristics for 1.8-V Supply (continued)**
 $V_+ = 1.65\text{ V to }1.95\text{ V}$ ,  $T_A = -40^\circ\text{C to }85^\circ\text{C}$  (unless otherwise noted)<sup>(1)</sup>

PARAMETER	TEST CONDITIONS	$T_A$	$V_+$	MIN	TYP	MAX	UNIT
$I_{NC(OFF)}$ , $I_{NO(OFF)}$	$V_{NC}$ or $V_{NO} = 0.3\text{ V}$ , $V_{COM} = 1.65\text{ V}$ , or $V_{NC}$ or $V_{NO} = 1.65\text{ V}$ , $V_{COM} = 0.3\text{ V}$ , Switch OFF, see <a href="#">Figure 18</a>	25°C	1.95 V	-0.25	0.03	0.25	$\mu\text{A}$
		Full		-4.5		4.5	
	$V_{NC}$ or $V_{NO} = 1.95\text{ V to }0\text{ V}$ , $V_{COM} = 0\text{ V to }1.95\text{ V}$ , or $V_{NC}$ or $V_{NO} = 0\text{ V to }1.95\text{ V}$ , $V_{COM} = 1.95\text{ V to }0\text{ V}$ , Switch OFF, see <a href="#">Figure 18</a>	25°C	0 V	-0.4	0.01	0.4	
		Full		-6.5		6.5	
$I_{COM(OFF)}$	$V_{COM} = 1.65\text{ V}$ , $V_{NC}$ or $V_{NO} = 0.3\text{ V}$ , or $V_{COM} = 0.3\text{ V}$ , $V_{NC}$ or $V_{NO} = 1.65\text{ V}$ , Switch OFF, see <a href="#">Figure 18</a>	25°C	1.95 V	-0.4	0.02	0.4	$\mu\text{A}$
		Full		-0.9		0.9	
	$V_{COM} = 0\text{ V to }1.95\text{ V}$ , $V_{NC}$ or $V_{NO} = 1.95\text{ V to }0\text{ V}$ , or $V_{COM} = 1.95\text{ V to }0$ , $V_{NC}$ or $V_{NO} = 0\text{ to }1.95\text{ V}$ , Switch OFF, see <a href="#">Figure 18</a>	25°C	0 V	-0.4	0.02	0.4	
		Full		-4.5		4.5	
$I_{NC(ON)}$ , $I_{NO(ON)}$	$V_{NC}$ or $V_{NO} = 0.3\text{ V}$ , $V_{COM} = \text{Open}$ , or $V_{NC}$ or $V_{NO} = 1.65\text{ V}$ , $V_{COM} = \text{Open}$ , Switch ON, see <a href="#">Figure 19</a>	25°C	1.95 V	-2	0.02	2	$\mu\text{A}$
		Full		-2	0.02	2	
$I_{COM(ON)}$	$V_{COM} = 0.3\text{ V}$ , $V_{NC}$ or $V_{NO} = \text{Open}$ , or $V_{COM} = 1.65\text{ V}$ , $V_{NC}$ or $V_{NO} = \text{Open}$ , Switch ON, see <a href="#">Figure 19</a>	25°C	1.95 V	-4.5		4.5	$\mu\text{A}$
Full							
$V_{IH}$	Input logic high	Full	1.95 V	1		3.6	V
$V_{IL}$	Input logic low	Full	1.95 V	0		0.4	V
$I_{IH}$ , $I_{IL}$	Input leakage current	25°C	1.95 V	-0.1	0.01	0.1	$\mu\text{A}$
		Full		-2.1		2.1	

**6.9 Switching Characteristics for 3.3-V Supply**

over operating free-air temperature range (unless otherwise noted)

PARAMETER	TEST CONDITIONS	$T_A$	$V_+$	MIN	TYP	MAX	UNIT
$t_{ON}$	$V_{COM} = 2\text{ V}$ , $R_L = 300\ \Omega$ , $C_L = 35\text{ pF}$ , see <a href="#">Figure 21</a>	25°C	3.3 V	2.5	3.5	8	ns
		Full	3 V to 3.6 V	2.5		9	
$t_{OFF}$	$V_{COM} = 2\text{ V}$ , $R_L = 300\ \Omega$ , $C_L = 35\text{ pF}$ , see <a href="#">Figure 21</a>	25°C	3.3 V	0.5	2	6.5	ns
		Full	3 V to 3.6 V	0.5		7	

**6.10 Switching Characteristics for 2.5-V Supply**

over operating free-air temperature range (unless otherwise noted)

PARAMETER	TEST CONDITIONS	$T_A$	$V_+$	MIN	TYP	MAX	UNIT
$t_{ON}$	$V_{COM} = 1.5\text{ V}$ , $R_L = 300\ \Omega$ , $C_L = 35\text{ pF}$ , see <a href="#">Figure 21</a>	25°C	2.5 V	2.5	5	9.5	ns
		Full	2.3 V to 2.7 V	2.5		10.5	
$t_{OFF}$	$V_{COM} = 1.5\text{ V}$ , $R_L = 300\ \Omega$ , $C_L = 35\text{ pF}$ , see <a href="#">Figure 21</a>	25°C	2.5 V	0.5	3	7.5	ns
		Full	2.3 V to 2.7 V	0.5		9	

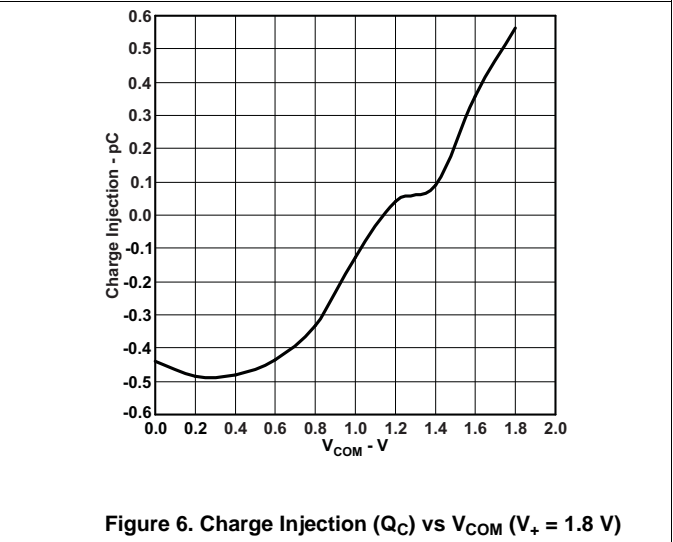
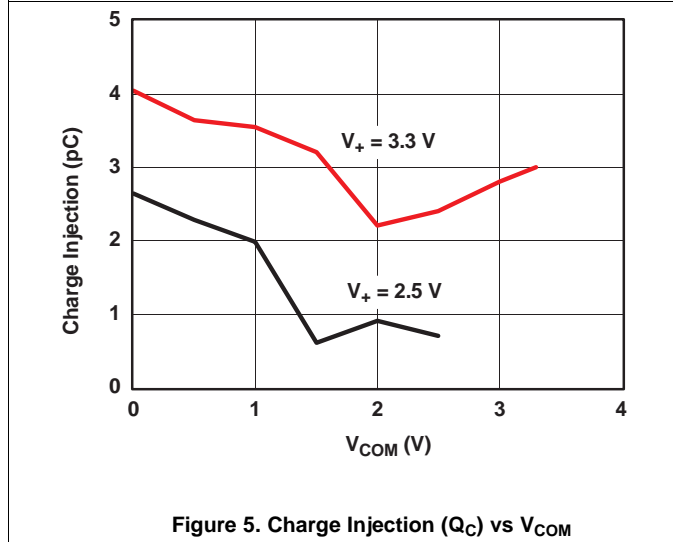
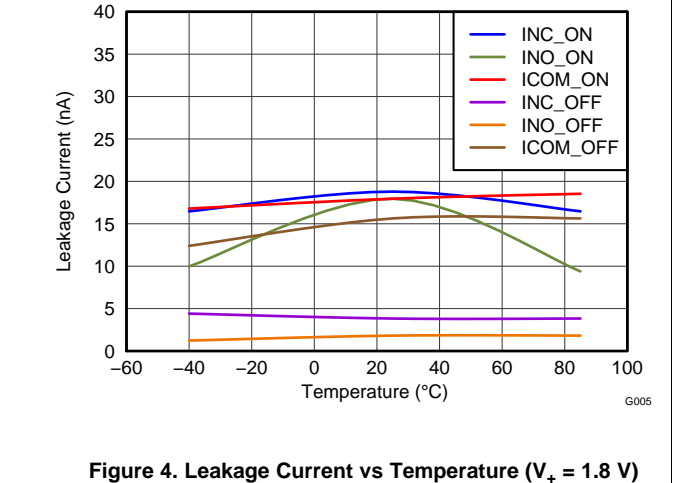
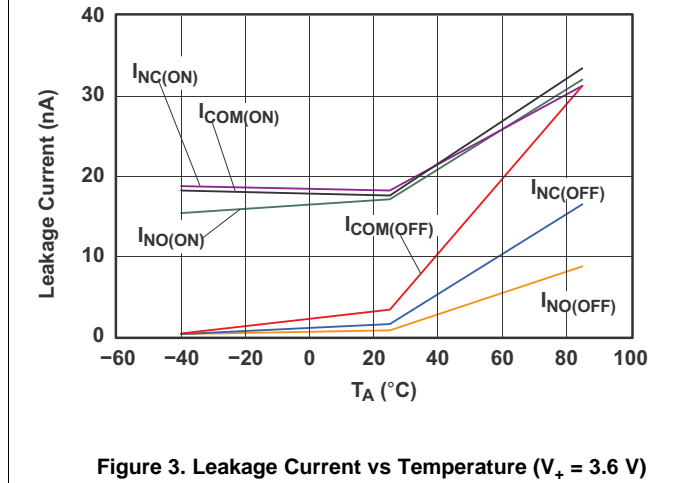
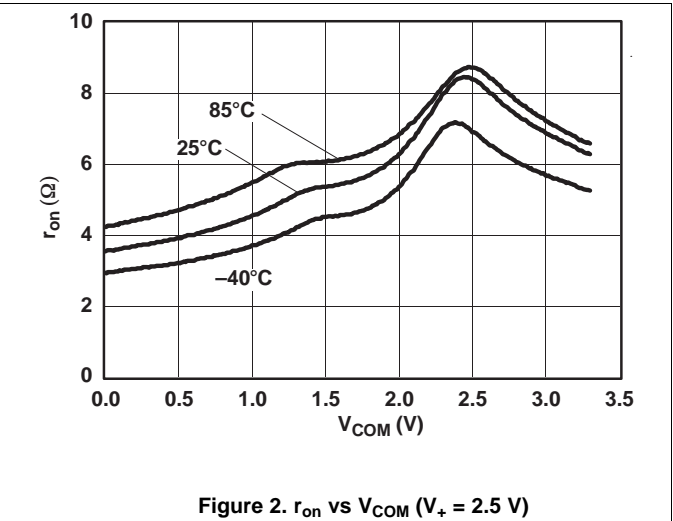
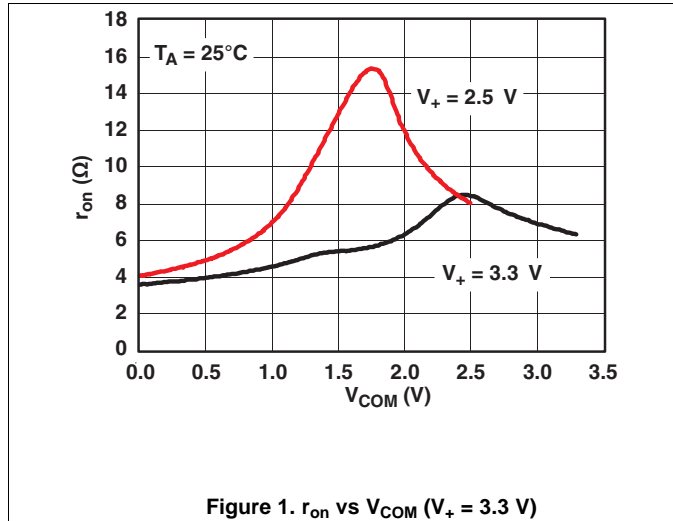


## 6.11 Switching Characteristics for 1.8-V Supply

over operating free-air temperature range (unless otherwise noted)

PARAMETER		TEST CONDITIONS		T <sub>A</sub>	V <sub>+</sub>	MIN	TYP	MAX	UNIT
t <sub>ON</sub>	Turnon time	V <sub>COM</sub> = V <sub>+</sub> , R <sub>L</sub> = 50 Ω,	C <sub>L</sub> = 35 pF, see <a href="#">Figure 21</a>	25°C	1.8 V		14.1	49.3	ns
				Full	1.65 V to 1.95 V		49.3	56.7	
t <sub>OFF</sub>	Turnoff time	V <sub>COM</sub> = V <sub>+</sub> , R <sub>L</sub> = 50 Ω,	C <sub>L</sub> = 35 pF, see <a href="#">Figure 21</a>	25°C	1.8 V		16.1	26.5	ns
				Full	1.65 V to 1.95 V			31.2	
t <sub>BBM</sub>	Break-before- make time	V <sub>NC</sub> = V <sub>NO</sub> = V <sub>+</sub> /2, R <sub>L</sub> = 50 Ω,	C <sub>L</sub> = 35 pF, see <a href="#">Figure 21</a>	25°C	1.8 V	5.3	18.4	58	ns
				Full	1.65 V to 1.95 V			58	

### 6.12 Typical Characteristics



Typical Characteristics (continued)

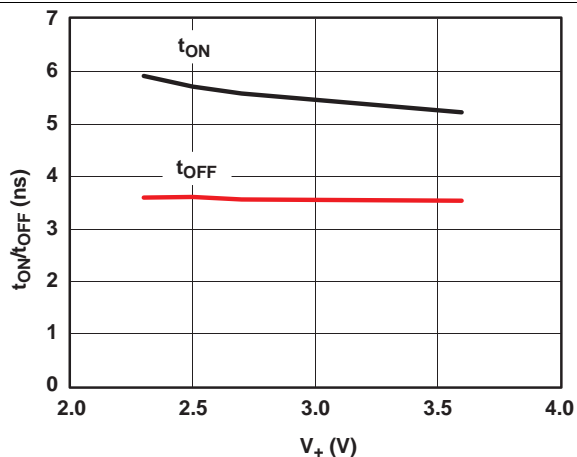


Figure 7.  $t_{ON}$  and  $t_{OFF}$  vs Supply Voltage

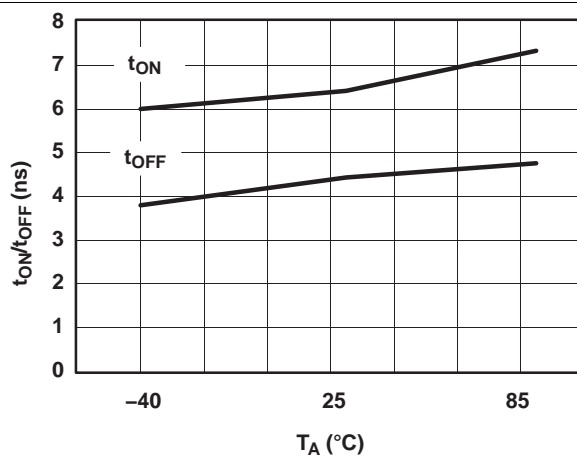


Figure 8.  $t_{ON}$  and  $t_{OFF}$  vs Temperature ( $V_+ = 3.3$  V)

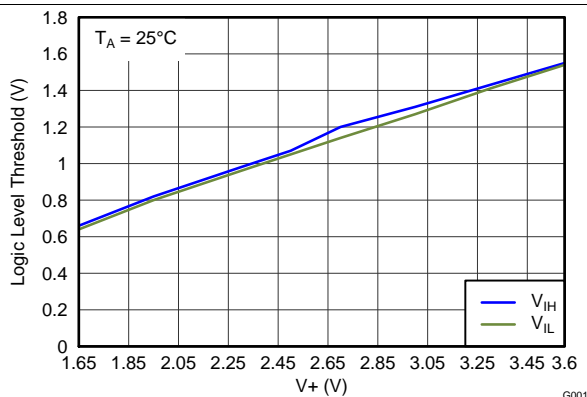


Figure 9. Logic-Level Threshold vs  $V_+$

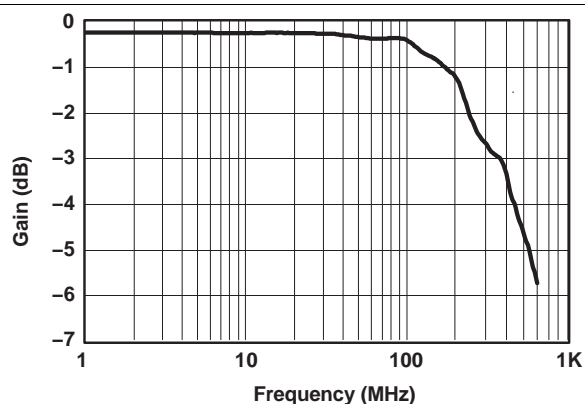


Figure 10. Gain vs Frequency Bandwidth ( $V_+ = 3.3$  V)

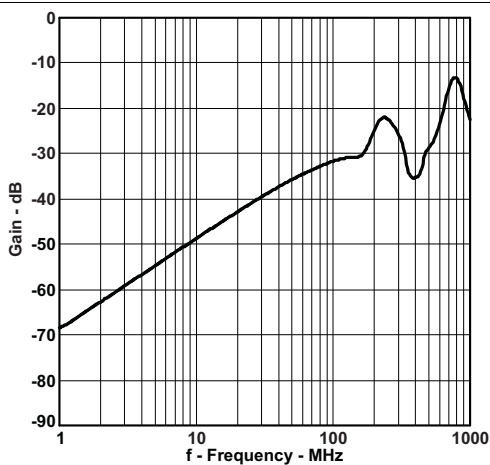


Figure 11. OFF Isolation vs Frequency ( $V_+ = 1.8$  V)

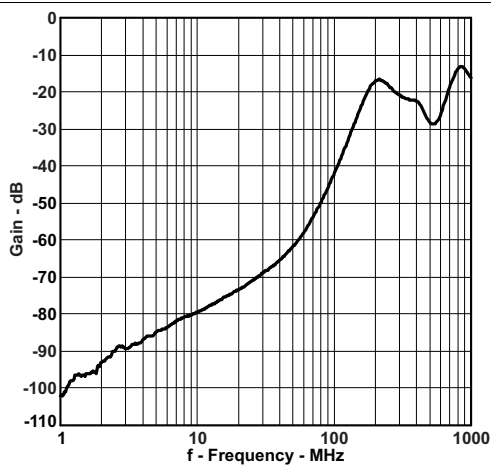


Figure 12. Crosstalk Adjacent vs Frequency ( $V_+ = 1.8$  V)

**Typical Characteristics (continued)**

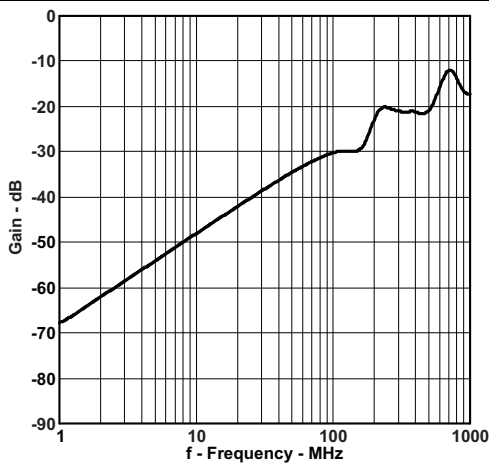


Figure 13. Crosstalk vs Frequency ( $V_+ = 1.8\text{ V}$ )

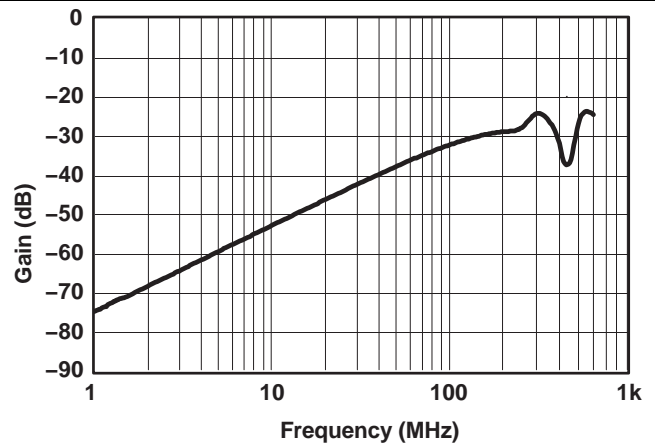


Figure 14. OFF Isolation vs Frequency ( $V_+ = 3.3\text{ V}$ )

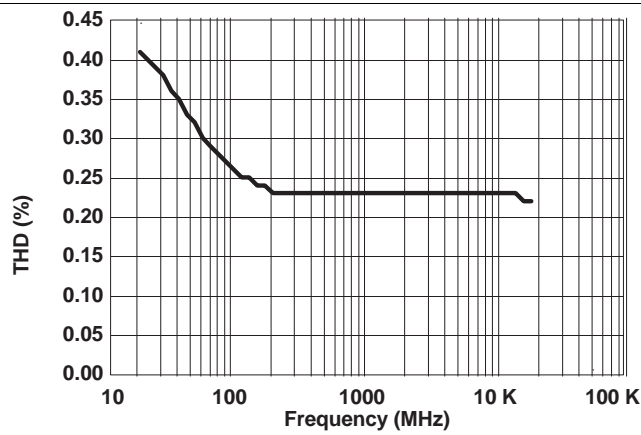


Figure 15. Total Harmonic Distortion vs Frequency

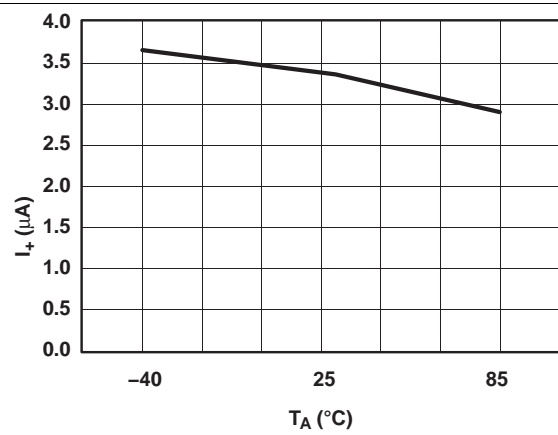


Figure 16. Power-Supply Current vs Temperature ( $V_+ = 3.3\text{ V}$ )

## 7 Parameter Measurement Information

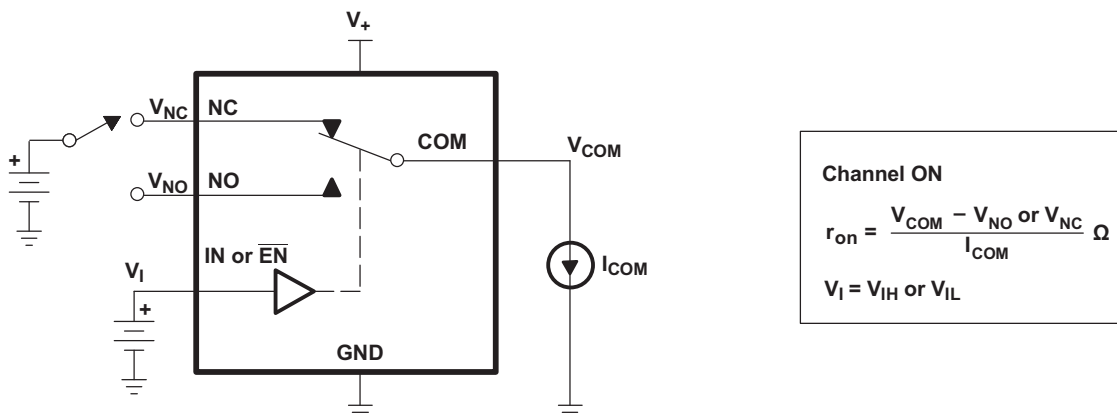


Figure 17. ON-State Resistance ( $r_{on}$ )

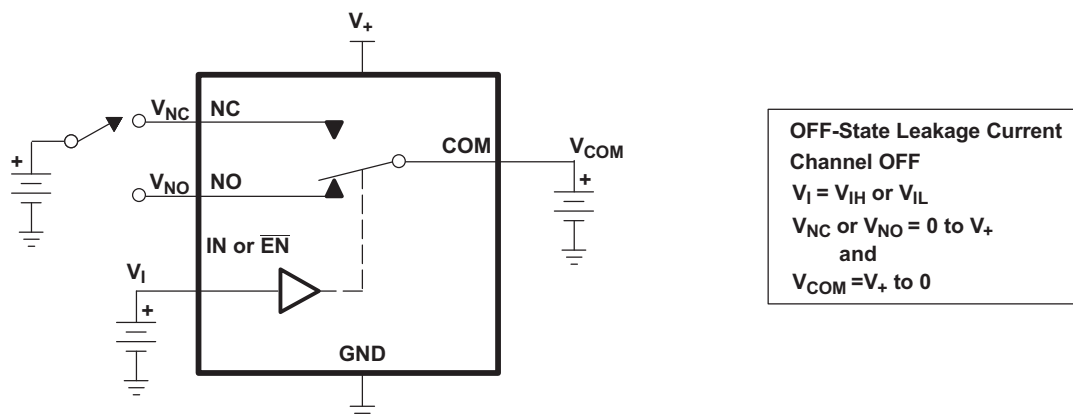


Figure 18. OFF-State Leakage Current ( $I_{COM(OFF)}$ ,  $I_{NC(OFF)}$ ,  $I_{NO(OFF)}$ )

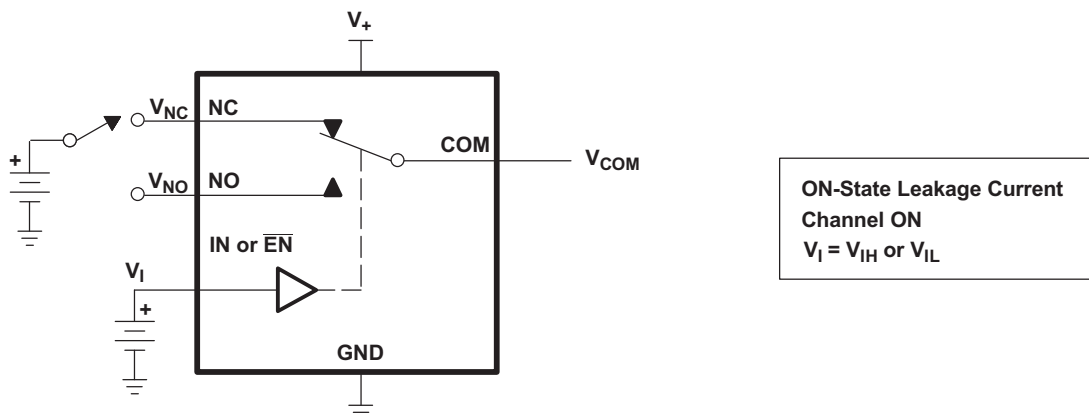


Figure 19. ON-State Leakage Current ( $I_{COM(ON)}$ ,  $I_{NC(ON)}$ )

Parameter Measurement Information (continued)

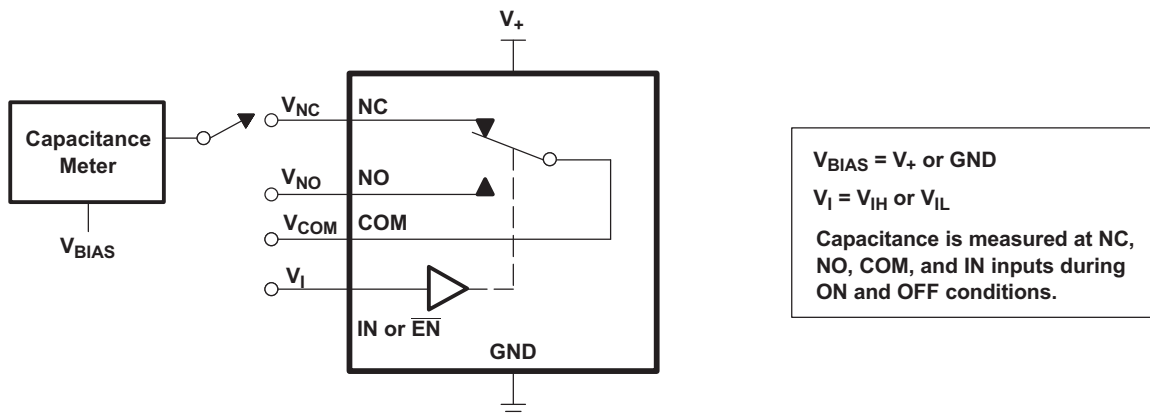
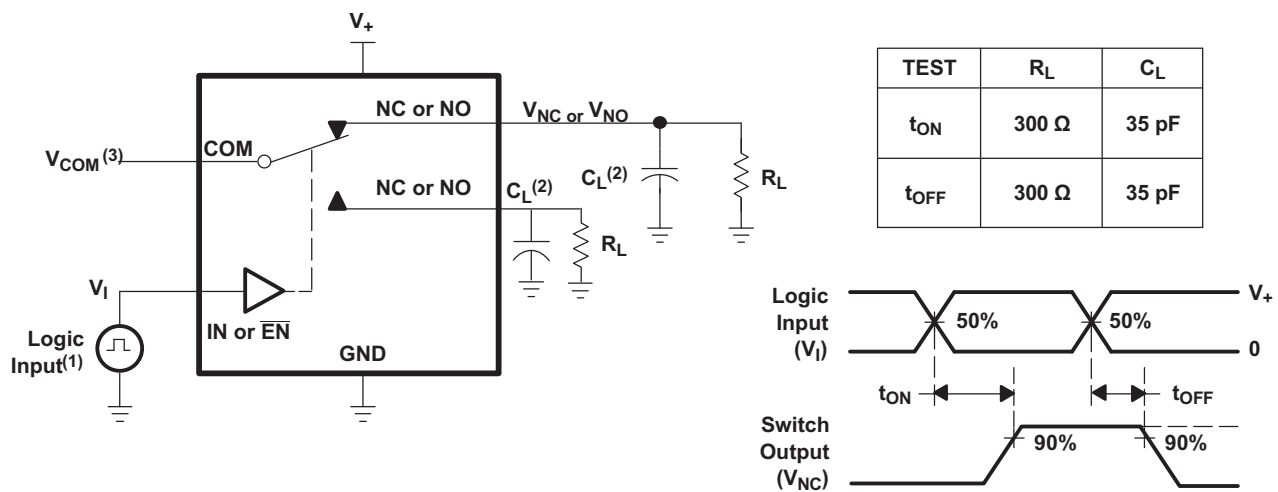


Figure 20. Capacitance ( $C_I$ ,  $C_{COM(OFF)}$ ,  $C_{COM(ON)}$ ,  $C_{NC(OFF)}$ ,  $C_{NC(ON)}$ )



- (1) All input pulses are supplied by generators having the following characteristics: PRR  $\leq$  10 MHz,  $Z_O = 50 \Omega$ ,  $t_r < 5$  ns,  $t_f < 5$  ns.
- (2)  $C_L$  includes probe and jig capacitance.
- (3) See Electrical Characteristics for  $V_{COM}$ .

Figure 21. Turnon ( $t_{ON}$ ) and Turnoff Time ( $t_{OFF}$ )

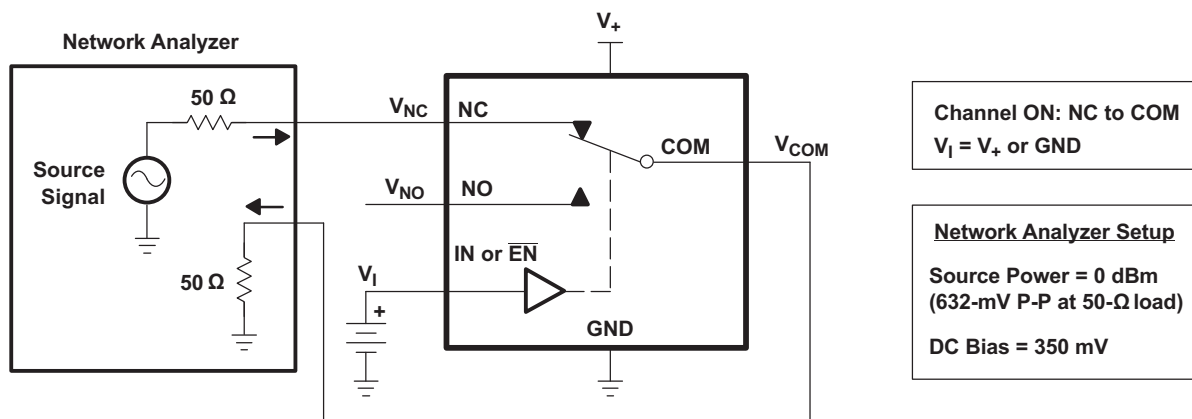


Figure 22. Bandwidth (BW)

Parameter Measurement Information (continued)

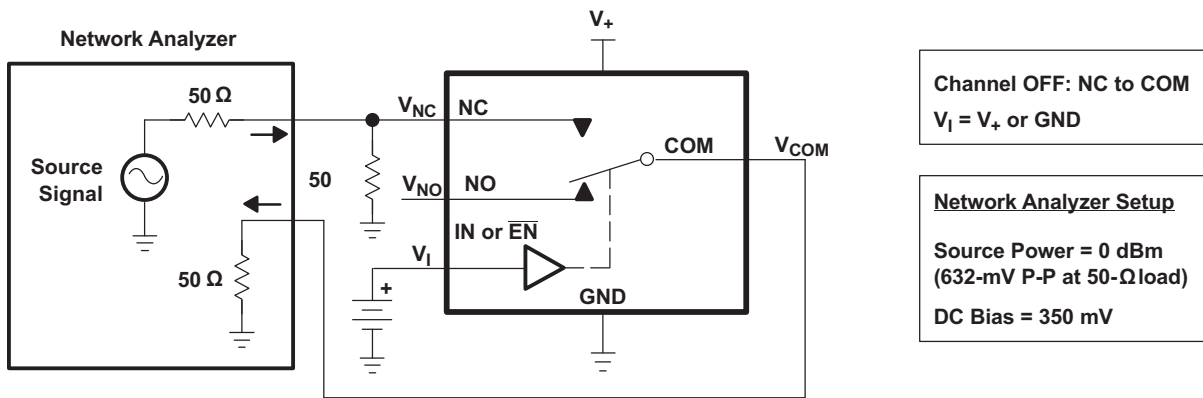


Figure 23. OFF Isolation ( $O_{ISO}$ )

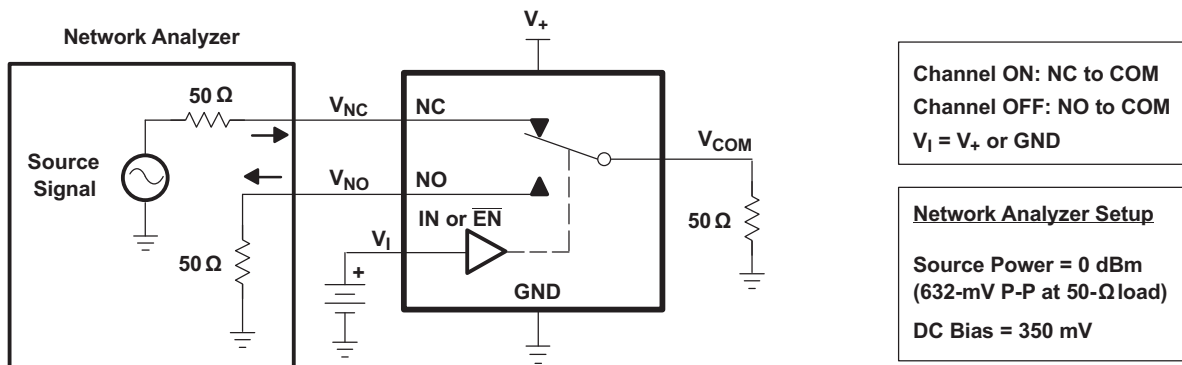


Figure 24. Crosstalk ( $X_{TALK}$ )

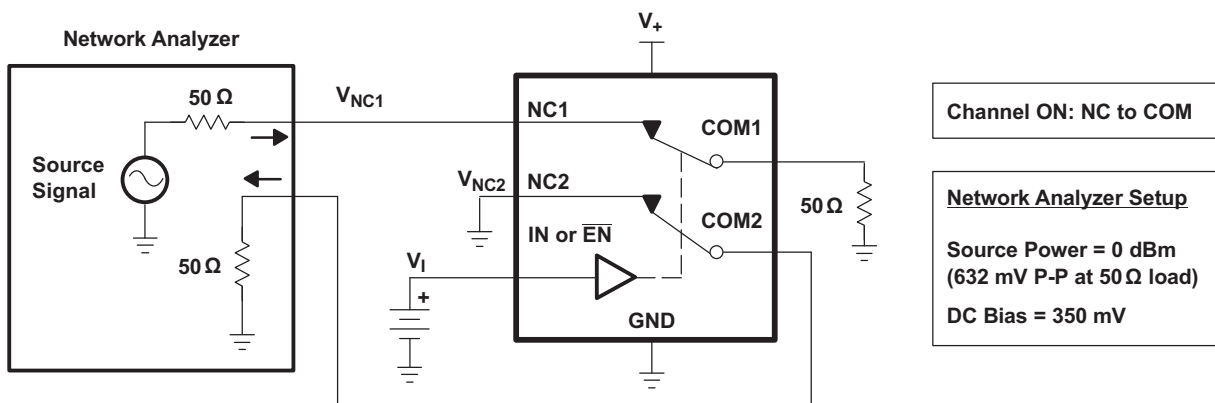
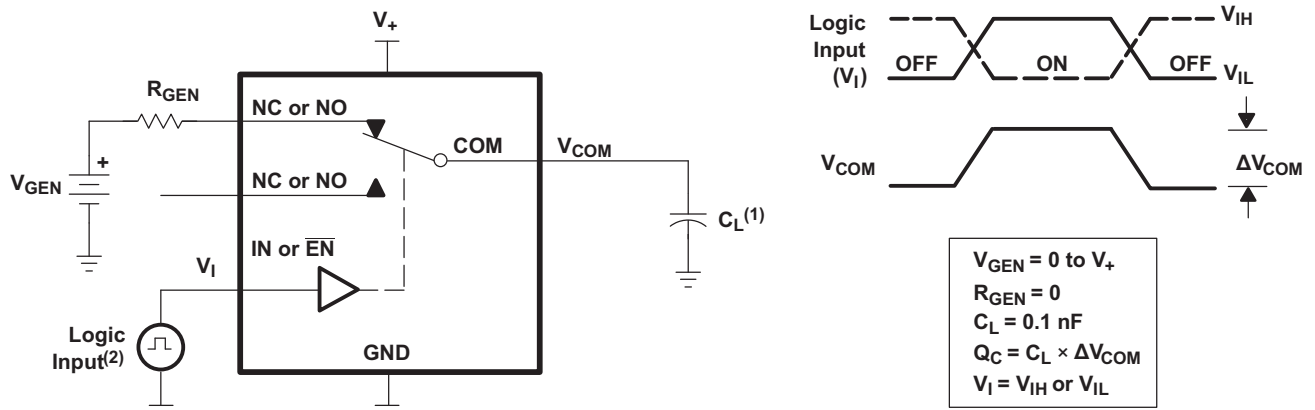


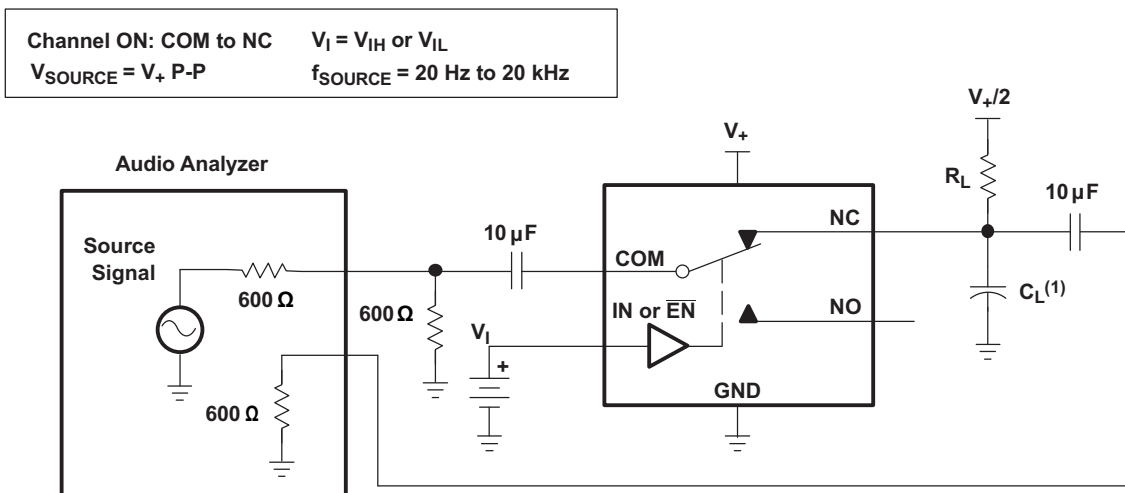
Figure 25. Crosstalk Adjacent

Parameter Measurement Information (continued)



- (1)  $C_L$  includes probe and jig capacitance.
- (2) All input pulses are supplied by generators having the following characteristics:  $PRR \leq 10 \text{ MHz}$ ,  $Z_O = 50 \Omega$ ,  $t_r < 5 \text{ ns}$ ,  $t_f < 5 \text{ ns}$ .

Figure 26. Charge Injection ( $Q_C$ )



- (1)  $C_L$  includes probe and jig capacitance.

Figure 27. Total Harmonic Distortion (THD)



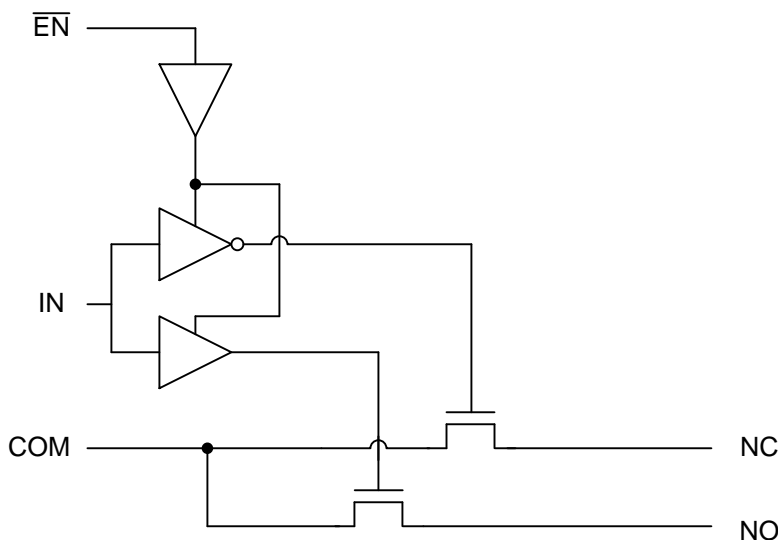
## 8 Detailed Description

### 8.1 Overview

The TS3A5018 is a quad single-pole-double-throw (SPDT) solid-state analog switch. The TS3A5018, like all analog switches, is bidirectional. When powered on, each COM pin is connected to its respective NC pin. For this device, NC stands for *normally closed* and NO stands for *normally open*. The switch is enabled when  $\overline{EN}$  is low. If IN is also low, COM is connected to NC. If IN is high, COM is connected to NO.

The TS3A5018 is a break-before-make switch. This means that during switching, a connection is broken before a new connection is established. The NC and NO pins are never connected to each other.

### 8.2 Functional Block Diagram (Each Switch)



### 8.3 Feature Description

The low ON-state resistance, ON-state resistance matching, and charge injection in the TS3A5018 make this switch an excellent choice for analog signals that require minimal distortion. In addition, the low THD allows audio signals to be preserved more clearly as they pass through the device.

The 1.8-V to 3.6-V operation allows compatibility with more logic levels, and the bidirectional I/Os can pass analog signals from 0 V to  $V_+$  with low distortion.

### 8.4 Device Functional Modes

Table 1. Function Table

$\overline{EN}$	IN	NO TO COM, COM TO NO	NC TO COM, COM TO NC
L	L	OFF	ON
L	H	ON	OFF
H	X	OFF	OFF

## 9 Application and Implementation

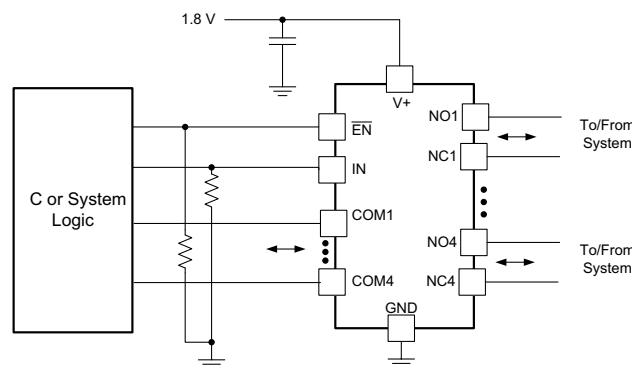
### NOTE

Information in the following applications sections is not part of the TI component specification, and TI does not warrant its accuracy or completeness. TI's customers are responsible for determining suitability of components for their purposes. Customers should validate and test their design implementation to confirm system functionality.

### 9.1 Application Information

The TS3A5018 can be used in a variety of customer systems. The TS3A5018 can be used anywhere multiple analog or digital signals must be selected to pass across a single line.

### 9.2 Typical Application



**Figure 28. System Schematic for TS3A5018**

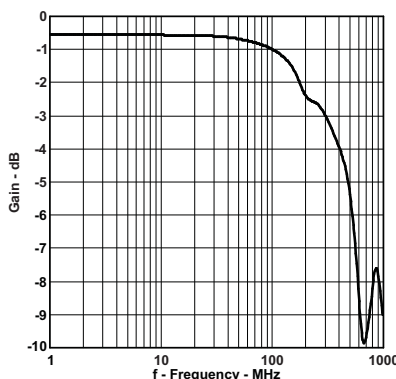
#### 9.2.1 Design Requirements

In this particular application,  $V_+$  was 1.8 V, although  $V_+$  is allowed to be any voltage specified in [Recommended Operating Conditions](#). A decoupling capacitor is recommended on the  $V_+$  pin. See [Power Supply Recommendations](#) for more details.

#### 9.2.2 Detailed Design Procedure

In this application,  $\overline{EN}$  and IN are, by default, pulled low to GND. Choose these resistor sizes based on the current driving strength of the GPIO, the desired power consumption, and the switching frequency (if applicable). If the GPIO is open-drain, use pullup resistors instead.

#### 9.2.3 Application Curve



**Figure 29. Gain vs Frequency Bandwidth ( $V_+ = 1.8$  V)**

## 10 Power Supply Recommendations

The power supply can be any voltage between the minimum and maximum supply voltage rating located in the [Recommended Operating Conditions](#).

Each  $V_{CC}$  terminal should have a good bypass capacitor to prevent power disturbance. For devices with a single supply, a 0.1- $\mu\text{F}$  bypass capacitor is recommended. If there are multiple pins labeled  $V_{CC}$ , then a 0.01- $\mu\text{F}$  or 0.022- $\mu\text{F}$  capacitor is recommended for each  $V_{CC}$  because the VCC pins will be tied together internally. For devices with dual supply pins operating at different voltages, for example  $V_{CC}$  and  $V_{DD}$ , a 0.1- $\mu\text{F}$  bypass capacitor is recommended for each supply pin. It is acceptable to parallel multiple bypass capacitors to reject different frequencies of noise. 0.1- $\mu\text{F}$  and 1- $\mu\text{F}$  capacitors are commonly used in parallel. The bypass capacitor should be installed as close to the power terminal as possible for best results.

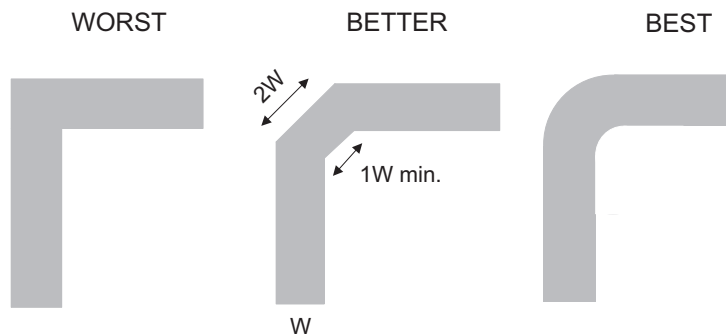
## 11 Layout

### 11.1 Layout Guidelines

Reflections and matching are closely related to loop antenna theory, but different enough to warrant their own discussion. When a PCB trace turns a corner at a 90° angle, a reflection can occur. This is primarily due to the change of width of the trace. At the apex of the turn, the trace width is increased to 1.414 times its width. This upsets the transmission line characteristics, especially the distributed capacitance and self-inductance of the trace — resulting in the reflection. It is a given that not all PCB traces can be straight, and so they will have to turn corners. [Figure 30](#) shows progressively better techniques of rounding corners. Only the last example maintains constant trace width and minimizes reflections.

Unused switch I/Os, such as NO, NC, and COM, can be left floating or tied to GND. However, the IN and  $\overline{\text{EN}}$  pins must be driven high or low. Due to partial transistor turnon when control inputs are at threshold levels, floating control inputs can cause increased  $I_{CC}$  or unknown switch selection states.

### 11.2 Layout Example



**Figure 30. Trace Example**

## 12 Device and Documentation Support

### 12.1 Device Support

#### 12.1.1 Device Nomenclature

**Table 2. Parameter Description**

SYMBOL	DESCRIPTION
$V_{COM}$	Voltage at COM
$V_{NC}$	Voltage at NC
$V_{NO}$	Voltage at NO
$r_{on}$	Resistance between COM and NC or NO ports when the channel is ON
$\Delta r_{on}$	Difference of $r_{on}$ between channels in a specific device
$r_{on(flat)}$	Difference between the maximum and minimum value of $r_{on}$ in a channel over the specified range of conditions
$I_{NC(OFF)}$	Leakage current measured at the NC port, with the corresponding channel (NC to COM) in the OFF state
$I_{NC(ON)}$	Leakage current measured at the NC port, with the corresponding channel (NC to COM) in the ON state and the output (COM) open
$I_{NO(OFF)}$	Leakage current measured at the NO port, with the corresponding channel (NO to COM) in the OFF state
$I_{NO(ON)}$	Leakage current measured at the NO port, with the corresponding channel (NO to COM) in the ON state and the output (COM) open
$I_{COM(OFF)}$	Leakage current measured at the COM port, with the corresponding channel (COM to NC or NO) in the OFF state
$I_{COM(ON)}$	Leakage current measured at the COM port, with the corresponding channel (COM to NC or NO) in the ON state and the output (NC or NO) open
$V_{IH}$	Minimum input voltage for logic high for the control input (IN, $\overline{EN}$ )
$V_{IL}$	Maximum input voltage for logic low for the control input (IN, $\overline{EN}$ )
$V_I$	Voltage at the control input (IN, $\overline{EN}$ )
$I_{IH}, I_{IL}$	Leakage current measured at the control input (IN, $\overline{EN}$ )
$t_{ON}$	Turnon time for the switch. This parameter is measured under the specified range of conditions and by the propagation delay between the digital control (IN) signal and analog output (NC or NO) signal when the switch is turning ON.
$t_{OFF}$	Turnoff time for the switch. This parameter is measured under the specified range of conditions and by the propagation delay between the digital control (IN) signal and analog output (NC or NO) signal when the switch is turning OFF.
$Q_C$	Charge injection is a measurement of unwanted signal coupling from the control (IN) input to the analog (NC or NO) output. This is measured in coulomb (C) and measured by the total charge induced due to switching of the control input. Charge injection, $Q_C = C_L \times \Delta V_{COM}$ , $C_L$ is the load capacitance and $\Delta V_{COM}$ is the change in analog output voltage.
$C_{NC(OFF)}$	Capacitance at the NC port when the corresponding channel (NC to COM) is OFF
$C_{NC(ON)}$	Capacitance at the NC port when the corresponding channel (NC to COM) is ON
$C_{NO(OFF)}$	Capacitance at the NC port when the corresponding channel (NO to COM) is OFF
$C_{NO(ON)}$	Capacitance at the NC port when the corresponding channel (NO to COM) is ON
$C_{COM(OFF)}$	Capacitance at the COM port when the corresponding channel (COM to NC) is OFF
$C_{COM(ON)}$	Capacitance at the COM port when the corresponding channel (COM to NC) is ON
$C_I$	Capacitance of control input (IN, $\overline{EN}$ )
$O_{ISO}$	OFF isolation of the switch is a measurement of OFF-state switch impedance. This is measured in dB in a specific frequency, with the corresponding channel (NC to COM) in the OFF state.
$X_{TALK}$	Crosstalk is a measurement of unwanted signal coupling from an ON channel to an OFF channel (NC1 to NO1). Adjacent crosstalk is a measure of unwanted signal coupling from an ON channel to an adjacent ON channel (NC1 to NC2). This is measured in a specific frequency and in dB.
BW	Bandwidth of the switch. This is the frequency in which the gain of an ON channel is –3 dB below the DC gain.
THD	Total harmonic distortion describes the signal distortion caused by the analog switch. This is defined as the ratio of root mean square (RMS) value of the second, third, and higher harmonic to the absolute magnitude of the fundamental harmonic.
$I_+$	Static power-supply current with the control (IN) pin at $V_+$ or GND

## 12.2 Documentation Support

### 12.2.1 Related Documentation

For related documentation, see the following:

- *Implications of Slow or Floating CMOS Inputs*, [SCBA004](#)

### 12.3 Receiving Notification of Documentation Updates

To receive notification of documentation updates, navigate to the device product folder on ti.com. In the upper right corner, click on *Alert me* to register and receive a weekly digest of any product information that has changed. For change details, review the revision history included in any revised document.

### 12.4 Community Resources

The following links connect to TI community resources. Linked contents are provided "AS IS" by the respective contributors. They do not constitute TI specifications and do not necessarily reflect TI's views; see TI's [Terms of Use](#).

**TI E2E™ Online Community** *TI's Engineer-to-Engineer (E2E) Community*. Created to foster collaboration among engineers. At e2e.ti.com, you can ask questions, share knowledge, explore ideas and help solve problems with fellow engineers.

**Design Support** *TI's Design Support* Quickly find helpful E2E forums along with design support tools and contact information for technical support.

### 12.5 Trademarks

E2E is a trademark of Texas Instruments.

All other trademarks are the property of their respective owners.

### 12.6 Electrostatic Discharge Caution



These devices have limited built-in ESD protection. The leads should be shorted together or the device placed in conductive foam during storage or handling to prevent electrostatic damage to the MOS gates.

### 12.7 Glossary

[SLYZ022](#) — *TI Glossary*.

This glossary lists and explains terms, acronyms, and definitions.

## 13 Mechanical, Packaging, and Orderable Information

The following pages include mechanical, packaging, and orderable information. This information is the most current data available for the designated devices. This data is subject to change without notice and revision of this document. For browser-based versions of this data sheet, refer to the left-hand navigation.

**PACKAGING INFORMATION**

Orderable Device	Status (1)	Package Type	Package Drawing	Pins	Package Qty	Eco Plan (2)	Lead finish/ Ball material (6)	MSL Peak Temp (3)	Op Temp (°C)	Device Marking (4/5)	Samples
TS3A5018D	ACTIVE	SOIC	D	16	40	RoHS & Green	NIPDAU	Level-1-260C-UNLIM	-40 to 85	TS3A5018	<a href="#">Samples</a>
TS3A5018DBQR	ACTIVE	SSOP	DBQ	16	2500	RoHS & Green	NIPDAU	Level-2-260C-1 YEAR	-40 to 85	YA018	<a href="#">Samples</a>
TS3A5018DBQRG4	ACTIVE	SSOP	DBQ	16	2500	RoHS & Green	NIPDAU	Level-2-260C-1 YEAR	-40 to 85	YA018	<a href="#">Samples</a>
TS3A5018DE4	ACTIVE	SOIC	D	16	40	RoHS & Green	NIPDAU	Level-1-260C-UNLIM	-40 to 85	TS3A5018	<a href="#">Samples</a>
TS3A5018DGVR	ACTIVE	TVSOP	DGV	16	2000	RoHS & Green	NIPDAU	Level-1-260C-UNLIM	-40 to 85	YA018	<a href="#">Samples</a>
TS3A5018DR	ACTIVE	SOIC	D	16	2500	RoHS & Green	NIPDAU	Level-1-260C-UNLIM	-40 to 85	TS3A5018	<a href="#">Samples</a>
TS3A5018DRE4	ACTIVE	SOIC	D	16	2500	RoHS & Green	NIPDAU	Level-1-260C-UNLIM	-40 to 85	TS3A5018	<a href="#">Samples</a>
TS3A5018PW	ACTIVE	TSSOP	PW	16	90	RoHS & Green	NIPDAU	Level-1-260C-UNLIM	-40 to 85	YA018	<a href="#">Samples</a>
TS3A5018PWG4	ACTIVE	TSSOP	PW	16	90	RoHS & Green	NIPDAU	Level-1-260C-UNLIM	-40 to 85	YA018	<a href="#">Samples</a>
TS3A5018PWR	ACTIVE	TSSOP	PW	16	2000	RoHS & Green	NIPDAU	Level-1-260C-UNLIM	-40 to 85	YA018	<a href="#">Samples</a>
TS3A5018PWRE4	ACTIVE	TSSOP	PW	16	2000	RoHS & Green	NIPDAU	Level-1-260C-UNLIM	-40 to 85	YA018	<a href="#">Samples</a>
TS3A5018RGYR	ACTIVE	VQFN	RGY	16	3000	RoHS & Green	NIPDAU	Level-2-260C-1 YEAR	-40 to 85	YA018	<a href="#">Samples</a>
TS3A5018RGYRG4	ACTIVE	VQFN	RGY	16	3000	RoHS & Green	NIPDAU	Level-2-260C-1 YEAR	-40 to 85	YA018	<a href="#">Samples</a>
TS3A5018RSVR	ACTIVE	UQFN	RSV	16	3000	RoHS & Green	NIPDAU   NIPDAUAG	Level-1-260C-UNLIM	-40 to 85	ZUN	<a href="#">Samples</a>

(1) The marketing status values are defined as follows:

**ACTIVE:** Product device recommended for new designs.

**LIFEBUY:** TI has announced that the device will be discontinued, and a lifetime-buy period is in effect.

**NRND:** Not recommended for new designs. Device is in production to support existing customers, but TI does not recommend using this part in a new design.

**PREVIEW:** Device has been announced but is not in production. Samples may or may not be available.

**OBSOLETE:** TI has discontinued the production of the device.

(2) **RoHS:** TI defines "RoHS" to mean semiconductor products that are compliant with the current EU RoHS requirements for all 10 RoHS substances, including the requirement that RoHS substance do not exceed 0.1% by weight in homogeneous materials. Where designed to be soldered at high temperatures, "RoHS" products are suitable for use in specified lead-free processes. TI may reference these types of products as "Pb-Free".

---

**RoHS Exempt:** TI defines "RoHS Exempt" to mean products that contain lead but are compliant with EU RoHS pursuant to a specific EU RoHS exemption.

**Green:** TI defines "Green" to mean the content of Chlorine (Cl) and Bromine (Br) based flame retardants meet JS709B low halogen requirements of  $\leq 1000$ ppm threshold. Antimony trioxide based flame retardants must also meet the  $\leq 1000$ ppm threshold requirement.

(3) MSL, Peak Temp. - The Moisture Sensitivity Level rating according to the JEDEC industry standard classifications, and peak solder temperature.

(4) There may be additional marking, which relates to the logo, the lot trace code information, or the environmental category on the device.

(5) Multiple Device Markings will be inside parentheses. Only one Device Marking contained in parentheses and separated by a "~" will appear on a device. If a line is indented then it is a continuation of the previous line and the two combined represent the entire Device Marking for that device.

(6) Lead finish/Ball material - Orderable Devices may have multiple material finish options. Finish options are separated by a vertical ruled line. Lead finish/Ball material values may wrap to two lines if the finish value exceeds the maximum column width.

**Important Information and Disclaimer:** The information provided on this page represents TI's knowledge and belief as of the date that it is provided. TI bases its knowledge and belief on information provided by third parties, and makes no representation or warranty as to the accuracy of such information. Efforts are underway to better integrate information from third parties. TI has taken and continues to take reasonable steps to provide representative and accurate information but may not have conducted destructive testing or chemical analysis on incoming materials and chemicals. TI and TI suppliers consider certain information to be proprietary, and thus CAS numbers and other limited information may not be available for release.

In no event shall TI's liability arising out of such information exceed the total purchase price of the TI part(s) at issue in this document sold by TI to Customer on an annual basis.

**TAPE AND REEL INFORMATION**

**QUADRANT ASSIGNMENTS FOR PIN 1 ORIENTATION IN TAPE**


\*All dimensions are nominal

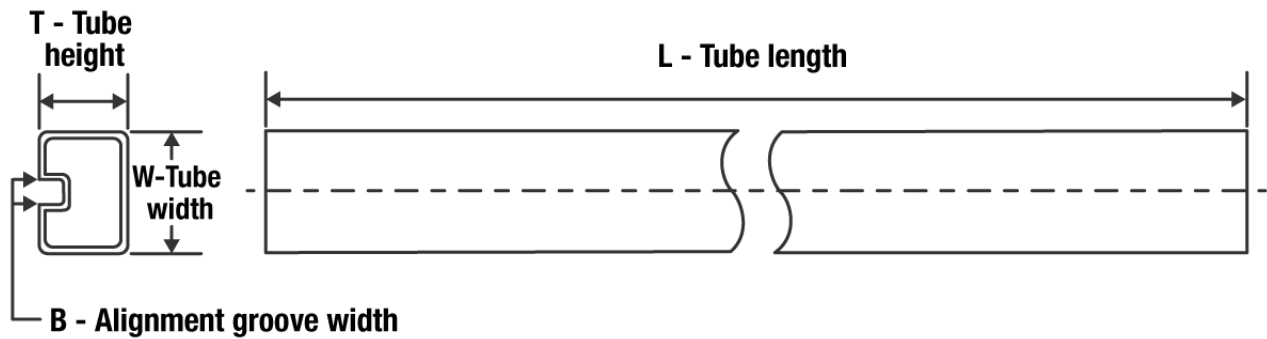
Device	Package Type	Package Drawing	Pins	SPQ	Reel Diameter (mm)	Reel Width W1 (mm)	A0 (mm)	B0 (mm)	K0 (mm)	P1 (mm)	W (mm)	Pin1 Quadrant
TS3A5018DBQR	SSOP	DBQ	16	2500	330.0	12.5	6.4	5.2	2.1	8.0	12.0	Q1
TS3A5018DGVR	TVSOP	DGV	16	2000	330.0	12.4	6.8	4.0	1.6	8.0	12.0	Q1
TS3A5018DR	SOIC	D	16	2500	330.0	16.4	6.5	10.3	2.1	8.0	16.0	Q1
TS3A5018PWR	TSSOP	PW	16	2000	330.0	12.4	6.9	5.6	1.6	8.0	12.0	Q1
TS3A5018RGYR	VQFN	RGY	16	3000	330.0	12.4	3.8	4.3	1.5	8.0	12.0	Q1
TS3A5018RSVR	UQFN	RSV	16	3000	180.0	13.2	2.1	2.9	0.75	4.0	12.0	Q1
TS3A5018RSVR	UQFN	RSV	16	3000	177.8	12.4	2.0	2.8	0.7	4.0	12.0	Q1
TS3A5018RSVR	UQFN	RSV	16	3000	180.0	12.4	2.1	2.9	0.75	4.0	12.0	Q1



**TAPE AND REEL BOX DIMENSIONS**


\*All dimensions are nominal

Device	Package Type	Package Drawing	Pins	SPQ	Length (mm)	Width (mm)	Height (mm)
TS3A5018DBQR	SSOP	DBQ	16	2500	340.5	338.1	20.6
TS3A5018DGVR	TVSOP	DGV	16	2000	853.0	449.0	35.0
TS3A5018DR	SOIC	D	16	2500	340.5	336.1	32.0
TS3A5018PWR	TSSOP	PW	16	2000	853.0	449.0	35.0
TS3A5018RGYR	VQFN	RGY	16	3000	853.0	449.0	35.0
TS3A5018RSVR	UQFN	RSV	16	3000	184.0	184.0	19.0
TS3A5018RSVR	UQFN	RSV	16	3000	202.0	201.0	28.0
TS3A5018RSVR	UQFN	RSV	16	3000	200.0	183.0	25.0

**TUBE**


\*All dimensions are nominal

Device	Package Name	Package Type	Pins	SPQ	L (mm)	W (mm)	T (μm)	B (mm)
TS3A5018D	D	SOIC	16	40	507	8	3940	4.32
TS3A5018DE4	D	SOIC	16	40	507	8	3940	4.32
TS3A5018PW	PW	TSSOP	16	90	530	10.2	3600	3.5
TS3A5018PWG4	PW	TSSOP	16	90	530	10.2	3600	3.5

D (R-PDSO-G16)

PLASTIC SMALL OUTLINE



- NOTES:
- A. All linear dimensions are in inches (millimeters).
  - B. This drawing is subject to change without notice.
  - C. Body length does not include mold flash, protrusions, or gate burrs. Mold flash, protrusions, or gate burrs shall not exceed 0.006 (0,15) each side.
  - D. Body width does not include interlead flash. Interlead flash shall not exceed 0.017 (0,43) each side.
  - E. Reference JEDEC MS-012 variation AC.

D (R-PDSO-G16)

PLASTIC SMALL OUTLINE



- NOTES:
- All linear dimensions are in millimeters.
  - This drawing is subject to change without notice.
  - Publication IPC-7351 is recommended for alternate designs.
  - Laser cutting apertures with trapezoidal walls and also rounding corners will offer better paste release. Customers should contact their board assembly site for stencil design recommendations. Refer to IPC-7525 for other stencil recommendations.
  - Customers should contact their board fabrication site for solder mask tolerances between and around signal pads.



4220204/A 02/2017

NOTES:

1. All linear dimensions are in millimeters. Any dimensions in parenthesis are for reference only. Dimensioning and tolerancing per ASME Y14.5M.
2. This drawing is subject to change without notice.
3. This dimension does not include mold flash, protrusions, or gate burrs. Mold flash, protrusions, or gate burrs shall not exceed 0.15 mm per side.
4. This dimension does not include interlead flash. Interlead flash shall not exceed 0.25 mm per side.
5. Reference JEDEC registration MO-153.

# EXAMPLE BOARD LAYOUT

PW0016A

TSSOP - 1.2 mm max height

SMALL OUTLINE PACKAGE



LAND PATTERN EXAMPLE  
EXPOSED METAL SHOWN  
SCALE: 10X



4220204/A 02/2017

NOTES: (continued)

- 6. Publication IPC-7351 may have alternate designs.
- 7. Solder mask tolerances between and around signal pads can vary based on board fabrication site.

# EXAMPLE STENCIL DESIGN

PW0016A

TSSOP - 1.2 mm max height

SMALL OUTLINE PACKAGE



SOLDER PASTE EXAMPLE  
BASED ON 0.125 mm THICK STENCIL  
SCALE: 10X

4220204/A 02/2017

NOTES: (continued)

8. Laser cutting apertures with trapezoidal walls and rounded corners may offer better paste release. IPC-7525 may have alternate design recommendations.
9. Board assembly site may have different recommendations for stencil design.

DGV (R-PDSO-G\*\*)

PLASTIC SMALL-OUTLINE

24 PINS SHOWN



- NOTES: A. All linear dimensions are in millimeters.  
 B. This drawing is subject to change without notice.  
 C. Body dimensions do not include mold flash or protrusion, not to exceed 0,15 per side.  
 D. Falls within JEDEC: 24/48 Pins – MO-153  
 14/16/20/56 Pins – MO-194





# DBQ0016A

# PACKAGE OUTLINE

## SSOP - 1.75 mm max height

SHRINK SMALL-OUTLINE PACKAGE



4214846/A 03/2014

### NOTES:

- Linear dimensions are in inches [millimeters]. Dimensions in parenthesis are for reference only. Controlling dimensions are in inches. Dimensioning and tolerancing per ASME Y14.5M.
- This drawing is subject to change without notice.
- This dimension does not include mold flash, protrusions, or gate burrs. Mold flash, protrusions, or gate burrs shall not exceed .006 inch, per side.
- This dimension does not include interlead flash.
- Reference JEDEC registration MO-137, variation AB.

# EXAMPLE BOARD LAYOUT

DBQ0016A

SSOP - 1.75 mm max height

SHRINK SMALL-OUTLINE PACKAGE



LAND PATTERN EXAMPLE  
SCALE:8X



SOLDER MASK DETAILS

4214846/A 03/2014

NOTES: (continued)

6. Publication IPC-7351 may have alternate designs.
7. Solder mask tolerances between and around signal pads can vary based on board fabrication site.

# EXAMPLE STENCIL DESIGN

DBQ0016A

SSOP - 1.75 mm max height

SHRINK SMALL-OUTLINE PACKAGE



SOLDER PASTE EXAMPLE  
BASED ON .005 INCH [0.127 MM] THICK STENCIL  
SCALE:8X

4214846/A 03/2014

NOTES: (continued)

8. Laser cutting apertures with trapezoidal walls and rounded corners may offer better paste release. IPC-7525 may have alternate design recommendations.
9. Board assembly site may have different recommendations for stencil design.

RGY (R-PVQFN-N16)

PLASTIC QUAD FLATPACK NO-LEAD



- NOTES:
- A. All linear dimensions are in millimeters. Dimensioning and tolerancing per ASME Y14.5M-1994.
  - B. This drawing is subject to change without notice.
  - C. QFN (Quad Flatpack No-Lead) package configuration.
  - D. The package thermal pad must be soldered to the board for thermal and mechanical performance.
  - E. See the additional figure in the Product Data Sheet for details regarding the exposed thermal pad features and dimensions.
  - F. Pin 1 identifiers are located on both top and bottom of the package and within the zone indicated. The Pin 1 identifiers are either a molded, marked, or metal feature.
  - G. Package complies to JEDEC MO-241 variation BA.

RGY (R-PVQFN-N16)

PLASTIC QUAD FLATPACK NO-LEAD

**THERMAL INFORMATION**

This package incorporates an exposed thermal pad that is designed to be attached directly to an external heatsink. The thermal pad must be soldered directly to the printed circuit board (PCB). After soldering, the PCB can be used as a heatsink. In addition, through the use of thermal vias, the thermal pad can be attached directly to the appropriate copper plane shown in the electrical schematic for the device, or alternatively, can be attached to a special heatsink structure designed into the PCB. This design optimizes the heat transfer from the integrated circuit (IC).

For information on the Quad Flatpack No-Lead (QFN) package and its advantages, refer to Application Report, QFN/SON PCB Attachment, Texas Instruments Literature No. SLUA271. This document is available at [www.ti.com](http://www.ti.com).

The exposed thermal pad dimensions for this package are shown in the following illustration.



Bottom View

Exposed Thermal Pad Dimensions

4206353-3/P 03/14

NOTE: All linear dimensions are in millimeters

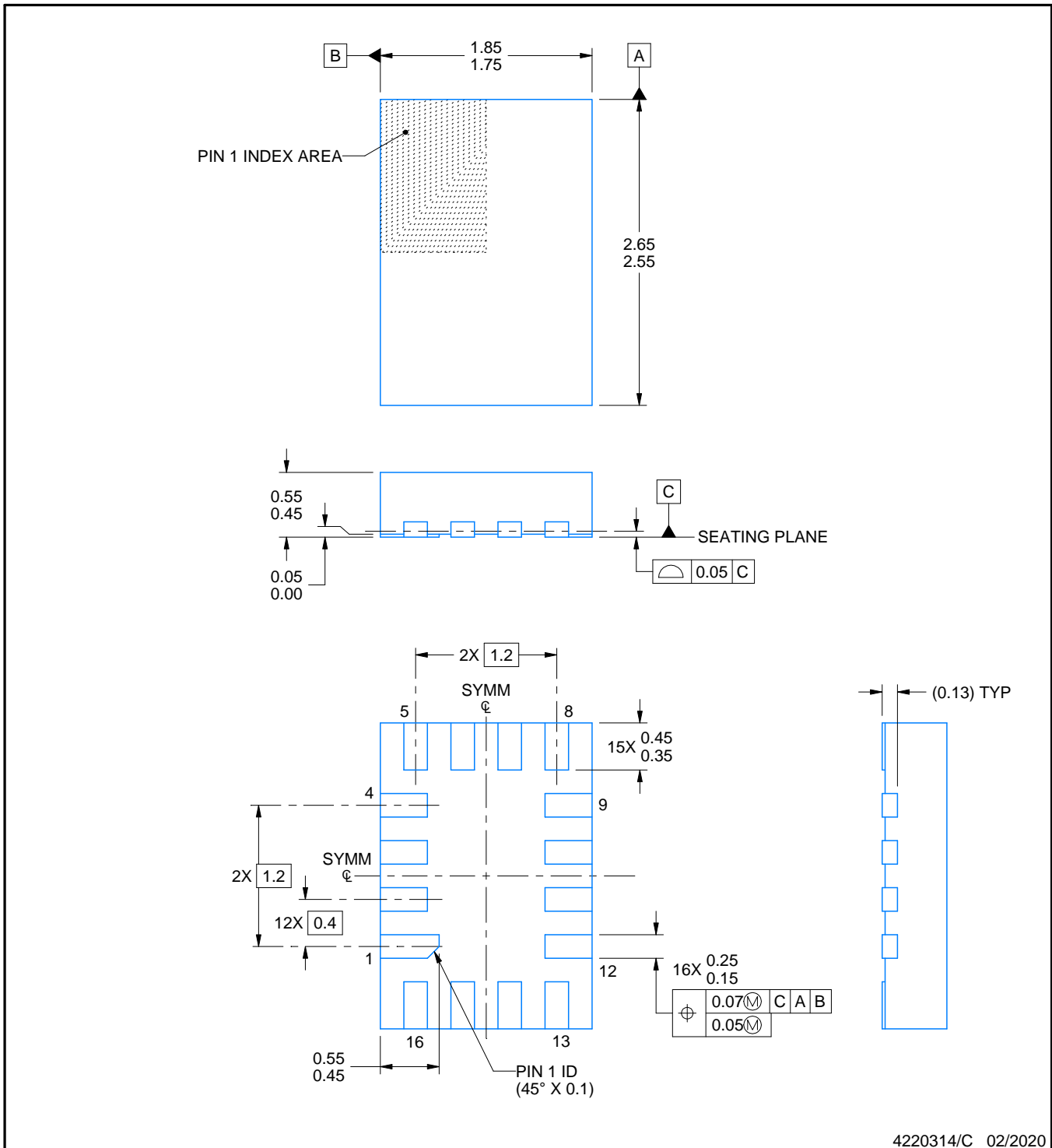
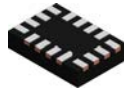
RGY (R-PVQFN-N16)

PLASTIC QUAD FLATPACK NO-LEAD



4208122-3/P 03/14

- NOTES:
- A. All linear dimensions are in millimeters.
  - B. This drawing is subject to change without notice.
  - C. Publication IPC-7351 is recommended for alternate designs.
  - D. This package is designed to be soldered to a thermal pad on the board. Refer to Application Note, Quad Flat-Pack QFN/SON PCB Attachment, Texas Instruments Literature No. SLUA271, and also the Product Data Sheets for specific thermal information, via requirements, and recommended board layout. These documents are available at [www.ti.com](http://www.ti.com) <<http://www.ti.com>>.
  - E. Laser cutting apertures with trapezoidal walls and also rounding corners will offer better paste release. Customers should contact their board assembly site for stencil design recommendations. Refer to IPC 7525 for stencil design considerations.
  - F. Customers should contact their board fabrication site for minimum solder mask web tolerances between signal pads.



4220314/C 02/2020

NOTES:

1. All linear dimensions are in millimeters. Any dimensions in parenthesis are for reference only. Dimensioning and tolerancing per ASME Y14.5M.
2. This drawing is subject to change without notice.

# EXAMPLE BOARD LAYOUT

RSV0016A

UQFN - 0.55 mm max height

ULTRA THIN QUAD FLATPACK - NO LEAD



LAND PATTERN EXAMPLE  
EXPOSED METAL SHOWN  
SCALE: 25X



4220314/C 02/2020

NOTES: (continued)

3. For more information, see Texas Instruments literature number SLUA271 ([www.ti.com/lit/slua271](http://www.ti.com/lit/slua271)).



# EXAMPLE STENCIL DESIGN

RSV0016A

UQFN - 0.55 mm max height

ULTRA THIN QUAD FLATPACK - NO LEAD



SOLDER PASTE EXAMPLE  
BASED ON 0.125 MM THICK STENCIL  
SCALE: 25X

4220314/C 02/2020

NOTES: (continued)

4. Laser cutting apertures with trapezoidal walls and rounded corners may offer better paste release. IPC-7525 may have alternate design recommendations.

## IMPORTANT NOTICE AND DISCLAIMER

TI PROVIDES TECHNICAL AND RELIABILITY DATA (INCLUDING DATA SHEETS), DESIGN RESOURCES (INCLUDING REFERENCE DESIGNS), APPLICATION OR OTHER DESIGN ADVICE, WEB TOOLS, SAFETY INFORMATION, AND OTHER RESOURCES "AS IS" AND WITH ALL FAULTS, AND DISCLAIMS ALL WARRANTIES, EXPRESS AND IMPLIED, INCLUDING WITHOUT LIMITATION ANY IMPLIED WARRANTIES OF MERCHANTABILITY, FITNESS FOR A PARTICULAR PURPOSE OR NON-INFRINGEMENT OF THIRD PARTY INTELLECTUAL PROPERTY RIGHTS.

These resources are intended for skilled developers designing with TI products. You are solely responsible for (1) selecting the appropriate TI products for your application, (2) designing, validating and testing your application, and (3) ensuring your application meets applicable standards, and any other safety, security, regulatory or other requirements.

These resources are subject to change without notice. TI grants you permission to use these resources only for development of an application that uses the TI products described in the resource. Other reproduction and display of these resources is prohibited. No license is granted to any other TI intellectual property right or to any third party intellectual property right. TI disclaims responsibility for, and you will fully indemnify TI and its representatives against, any claims, damages, costs, losses, and liabilities arising out of your use of these resources.

TI's products are provided subject to [TI's Terms of Sale](#) or other applicable terms available either on [ti.com](http://ti.com) or provided in conjunction with such TI products. TI's provision of these resources does not expand or otherwise alter TI's applicable warranties or warranty disclaimers for TI products.

TI objects to and rejects any additional or different terms you may have proposed.

Mailing Address: Texas Instruments, Post Office Box 655303, Dallas, Texas 75265  
Copyright © 2022, Texas Instruments Incorporated