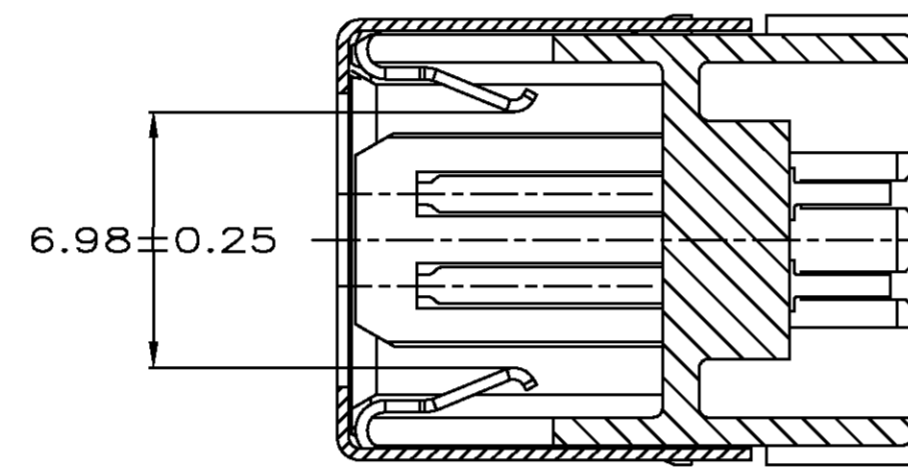
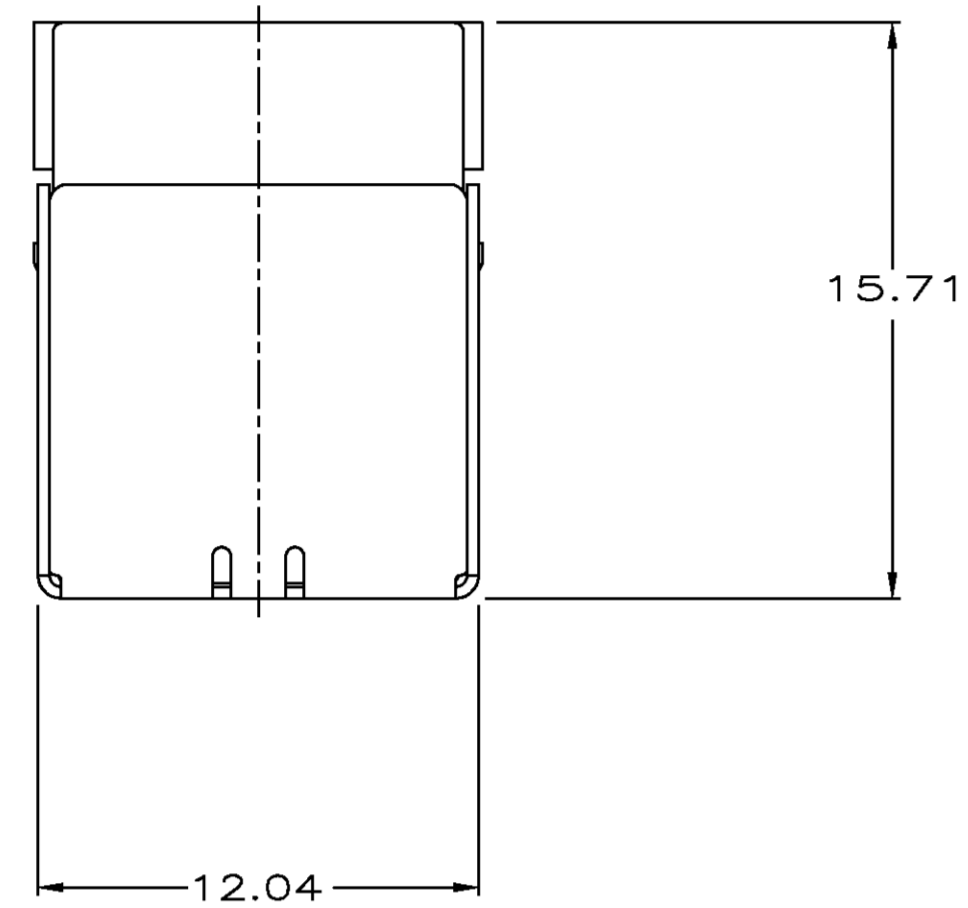
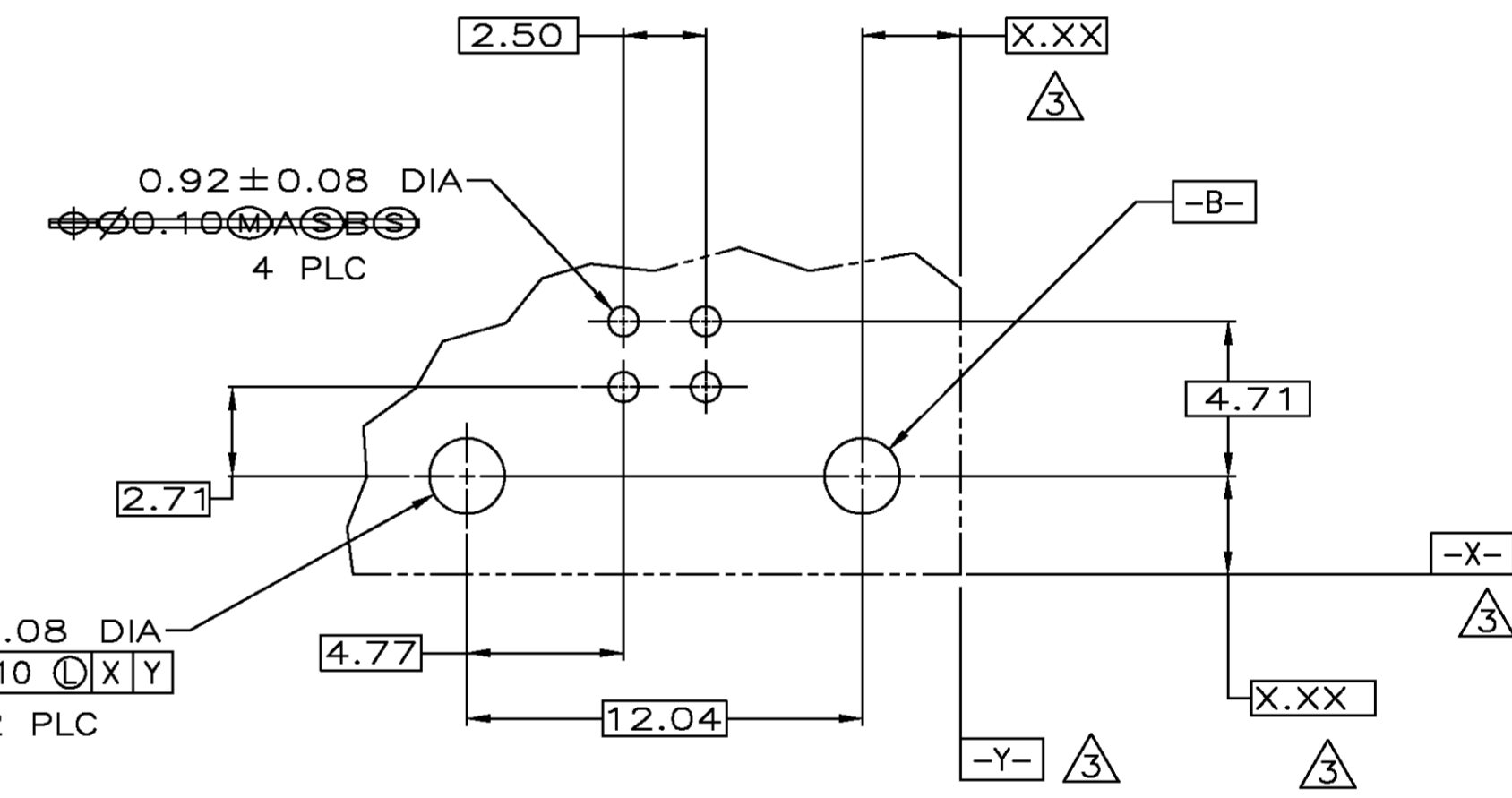


LOC	DIST	REVISIONS			
P	LTR	DESCRIPTION	DATE	DWN	APPD
ES	00				
C1		REVISED ECR-08-009268	11APRO8	A.Z	S.Y
C2		REVISED PER ECO-09-021826	27JAN2010	KK	HMR
C3		REVISED PER ECR-16-013723	26JUN17	TZ	HW

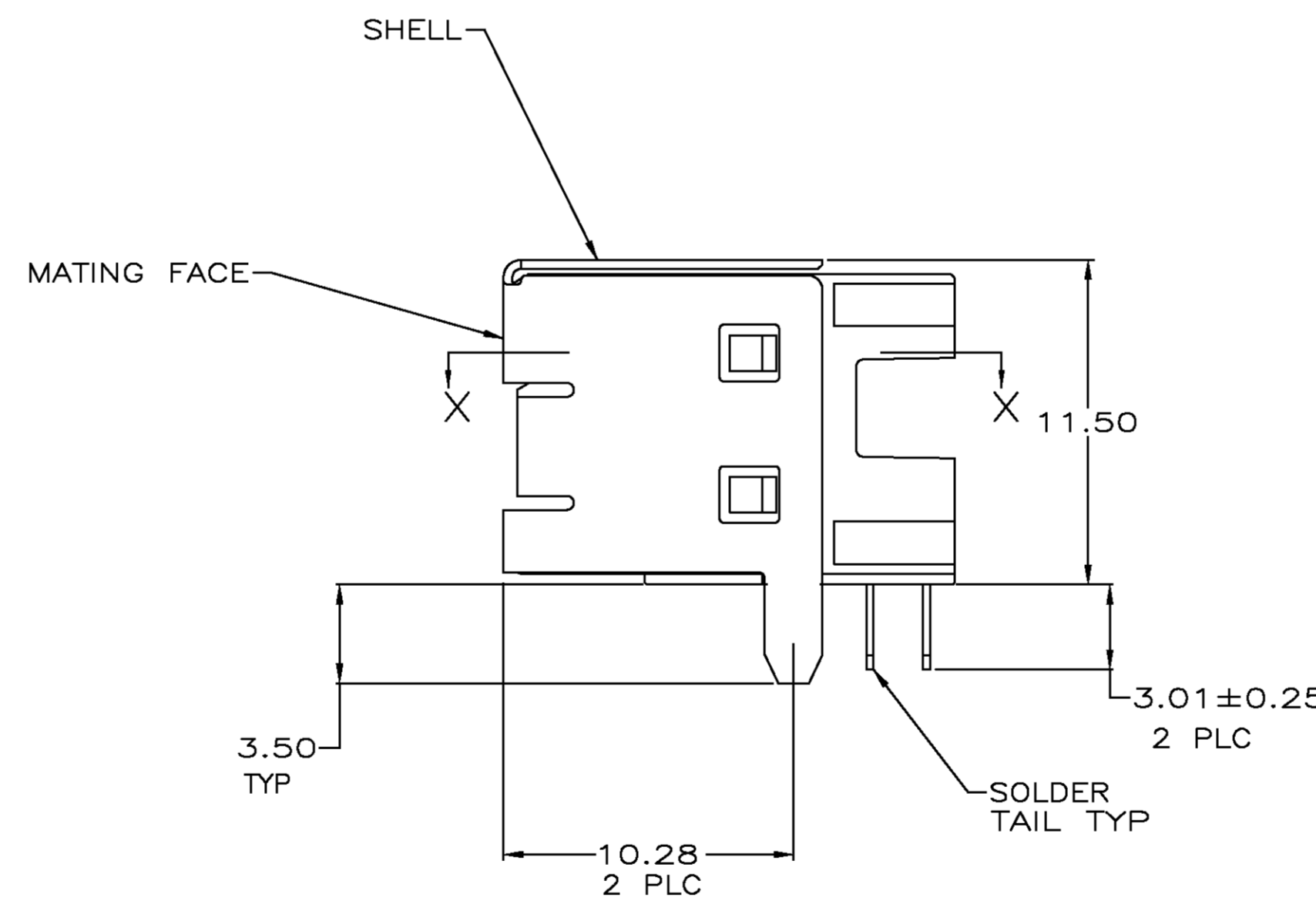
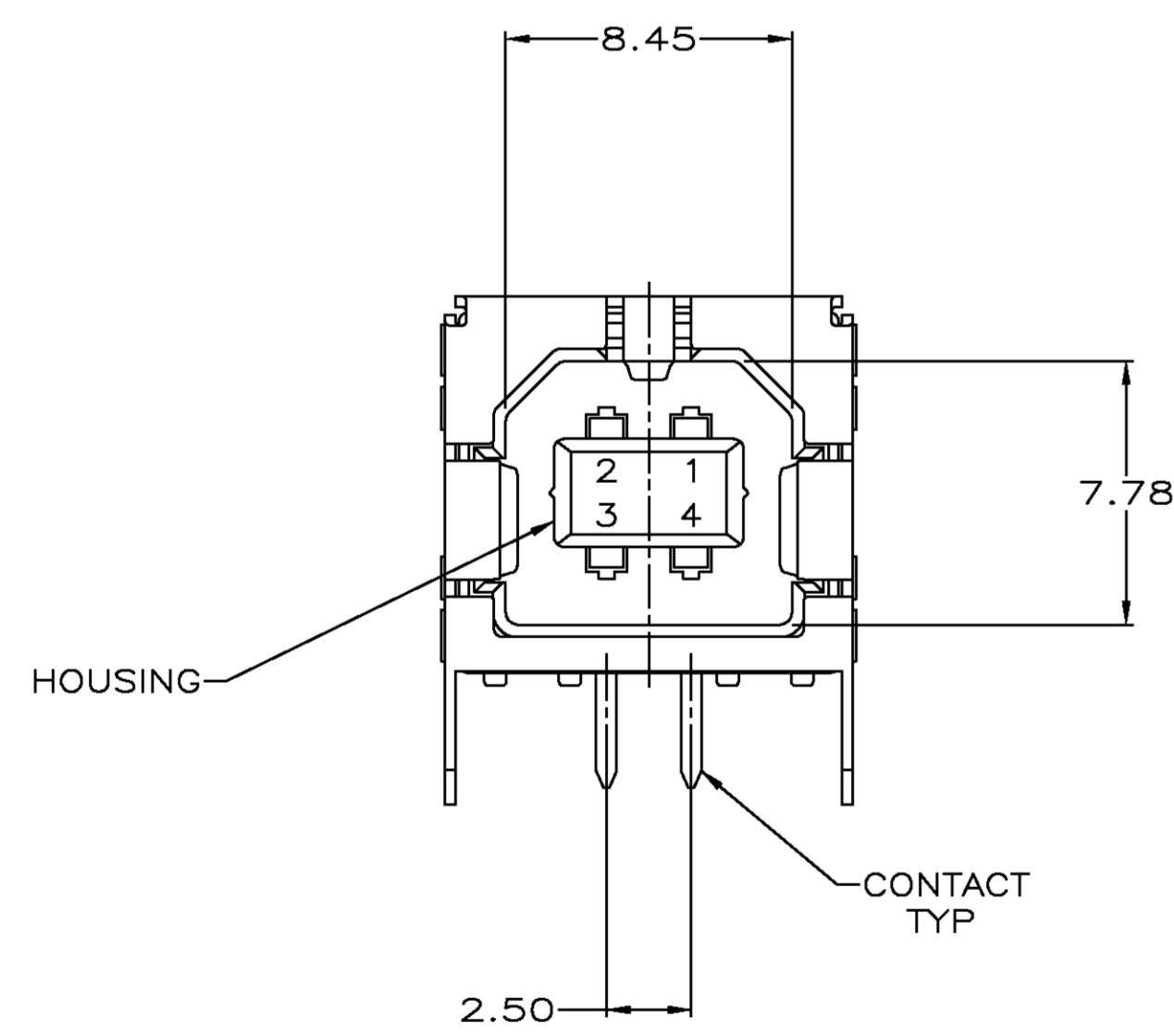
- △ CONTACTS: COPPER ALLOY.
- Ⓢ SHELL: STAINLESS STEEL.
- HOUSING: UL 94V-0 RATED THERMOPLASTIC, COLOR: SEE TABLE.
- △ CONTACTS: 0.076 um MINIMUM GOLD OVER
0.76 um MINIMUM PALLADIUM NICKEL ON MATING AREA.
3.80 um MINIMUM MATTE TIN ON SOLDER TAILS
ALL OVER 1.27 um MINIMUM NICKEL.
SHELL: 2~5 um MINIMUM BRIGHT TIN.
- △ DATUM AND BASIC DIMENSIONS ESTABLISHED BY CUSTOMER.
- △ RECOMMENDED PC BOARD THICKNESS 1.57.
- △ CONTACTS: 0.076 um MINIMUM GOLD OVER
0.76 um MINIMUM PALLADIUM NICKEL ON MATING AREA.
3.80 um MINIMUM MATTE TIN ON SOLDER TAILS
ALL OVER 1.27 um MINIMUM NICKEL.
SHELL: 1.27 um MINIMUM NICKEL ALL OVER, TIN DIPPED ON TAILS.
- 6 RECOMMEND:
MATING FORCE: 35N MAX.
UNMATING FORCE: 13N MIN.
RECOMMENDED MATING PLUG SHOULD MEET USB2.0 STANDARD.
- △ OBSOLETE PARTS: OBSOLETE CIS STREAMLINING PER D.RENAUD/D.SINISI



SECTION X-X



RECOMMENDED PC BOARD MOUNTING DIMENSIONS



△ OBSOLETE	YES	△	BLACK	292317-4
	NO	△	BLACK	292317-3
SUPERSEDED BY 292317-4	YES	△	BLACK	292317-1

HIGH TEMPERATURE COMPATIBLE		FINISH	HOUSING COLOR	PART NUMBER
SEE TABLE		SEE TABLE	SEE TABLE	292317-4

DIMENSIONS: mm		TOLERANCES UNLESS OTHERWISE SPECIFIED:		DWN: J. JIANG 20FEB04		APVD: S. YAO 20FEB04		NAME: Tyco Electronics Corporation Shanghai, P.R.China, 200233	
0 PLC	±	1 PLC	±	2 PLC	± 0.10	3 PLC	±	4 PLC	±
MATERIAL: △		FINISH: SEE TABLE		WEIGHT: -		SIZE: A1		CAGE CODE: 00779	
CUSTOMER DRAWING		SCALE: 5:1		SHEET: 1 OF 1		REV: C3		DRAWING NO: ©=292317	