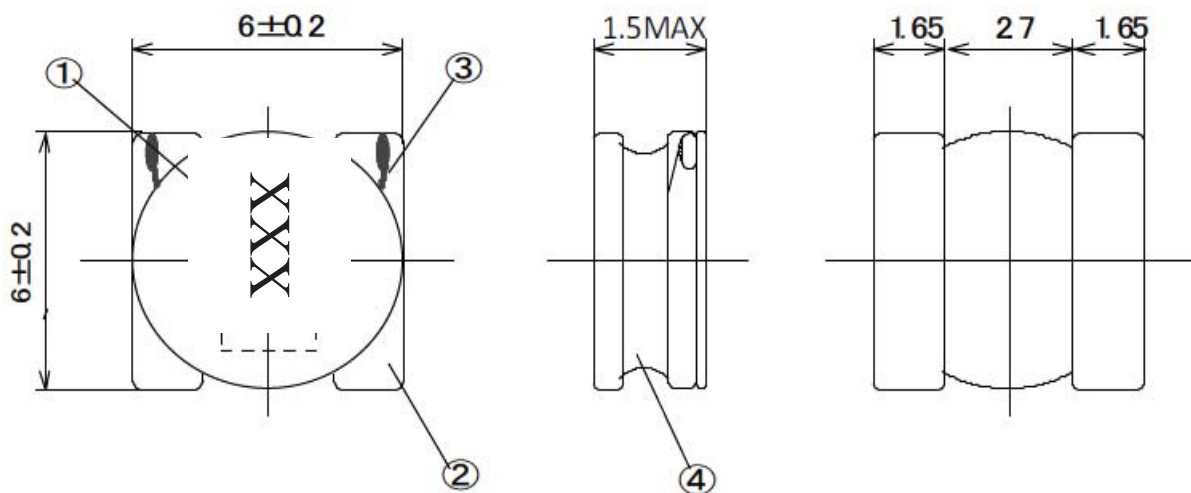


ECN/PCN No.: M1194

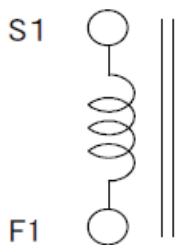
For Manufacturer		
Product Description: Low Profile Shielded SMD Chip Power Inductor	Abracon Part Number / Part Series: ASPI-0615FS Series	<input type="checkbox"/> Documentation only <input checked="" type="checkbox"/> Series <input checked="" type="checkbox"/> ECN <input type="checkbox"/> Part Number(s) <input type="checkbox"/> EOL
Affected Revision: D	New Revision: E	Application: <input type="checkbox"/> Safety <input checked="" type="checkbox"/> Non-Safety

Prior to Change:

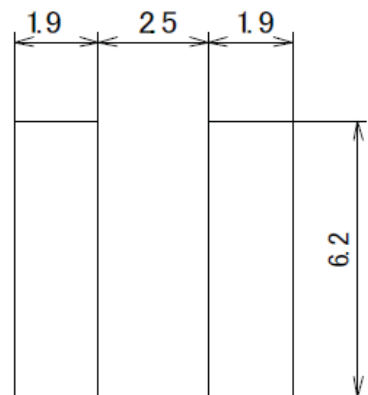
7.0 Mechanical and Material Information 1 (Effective Date: before 1/18/2012)



7.1

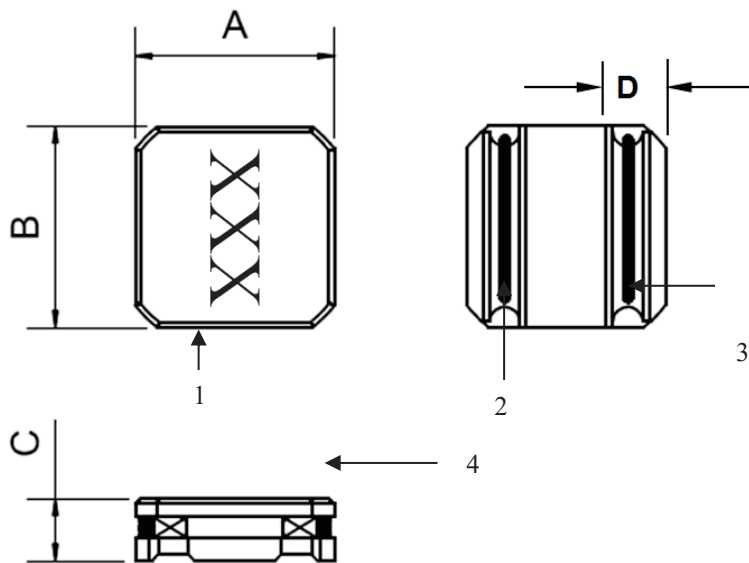


Dimension: mm



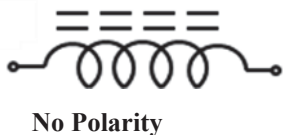
After Change:

6.0 Mechanical and Material

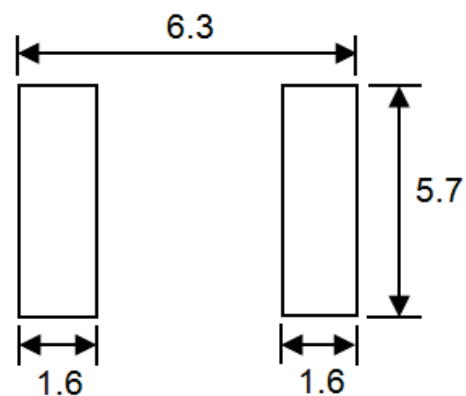


A	B	C	D Typ.
6.0±0.2	6.0±0.2	2.0±0.2	1.50

6.1 Circuit Schematic



Recommended Land Pattern



Dimension: mm

Cause/Reason for Change:
 Production line mechanical dimension differences documented. This is a follow up ECN of M1114 where mechanical dimensions update were erroneously missing.

Change Plan

Effective Date: 10/7/2020	Additional Remarks:
-------------------------------------	----------------------------

Change Declaration:
 The mechanical dimensions have changed slightly and will not adversely affect the products performance, form, fit or function. These should be considered cosmetic changes only.

Issued Date: 10/7/2020	Issued By:	Issued Department:
----------------------------------	-------------------	---------------------------

Approval:	Approval:	Approval:
------------------	------------------	------------------

For Abracon EOL only

Last Time Buy (if applicable):	Alternate Part Number / Part Series:
---------------------------------------	---

Additional Approval:	Additional Approval:	Additional Approval:
-----------------------------	-----------------------------	-----------------------------

Customer Approval (If Applicable)

Qualification Status:

Approved Not accepted

Note: It is considered approved if there is no feedback from the customer 1 month after ECN/PCN is released.

Customer Part Number:	Customer Project:
------------------------------	--------------------------

Company Name:	Company Representative:	Representative Signature:
----------------------	--------------------------------	----------------------------------

Customer Remarks: