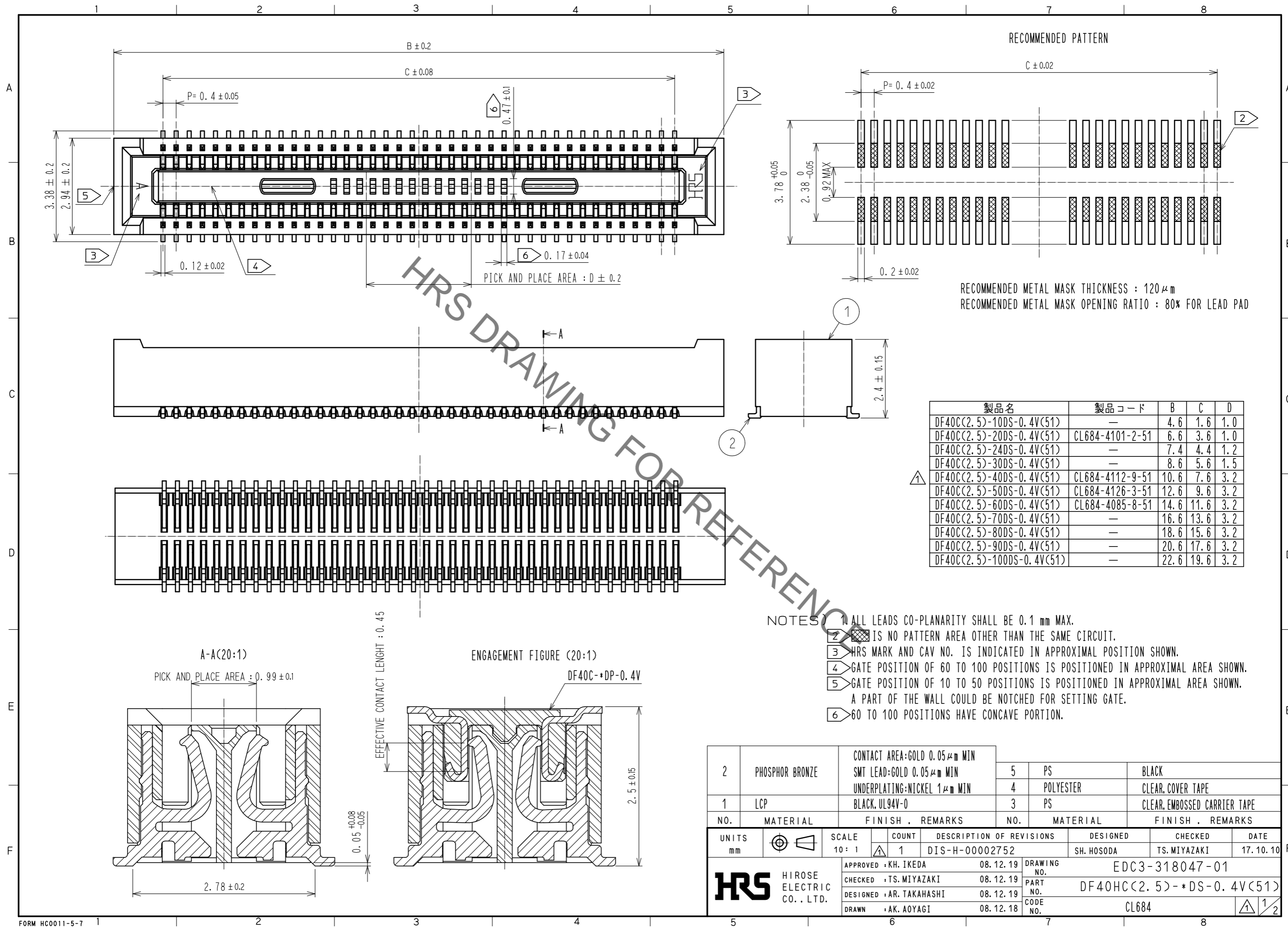


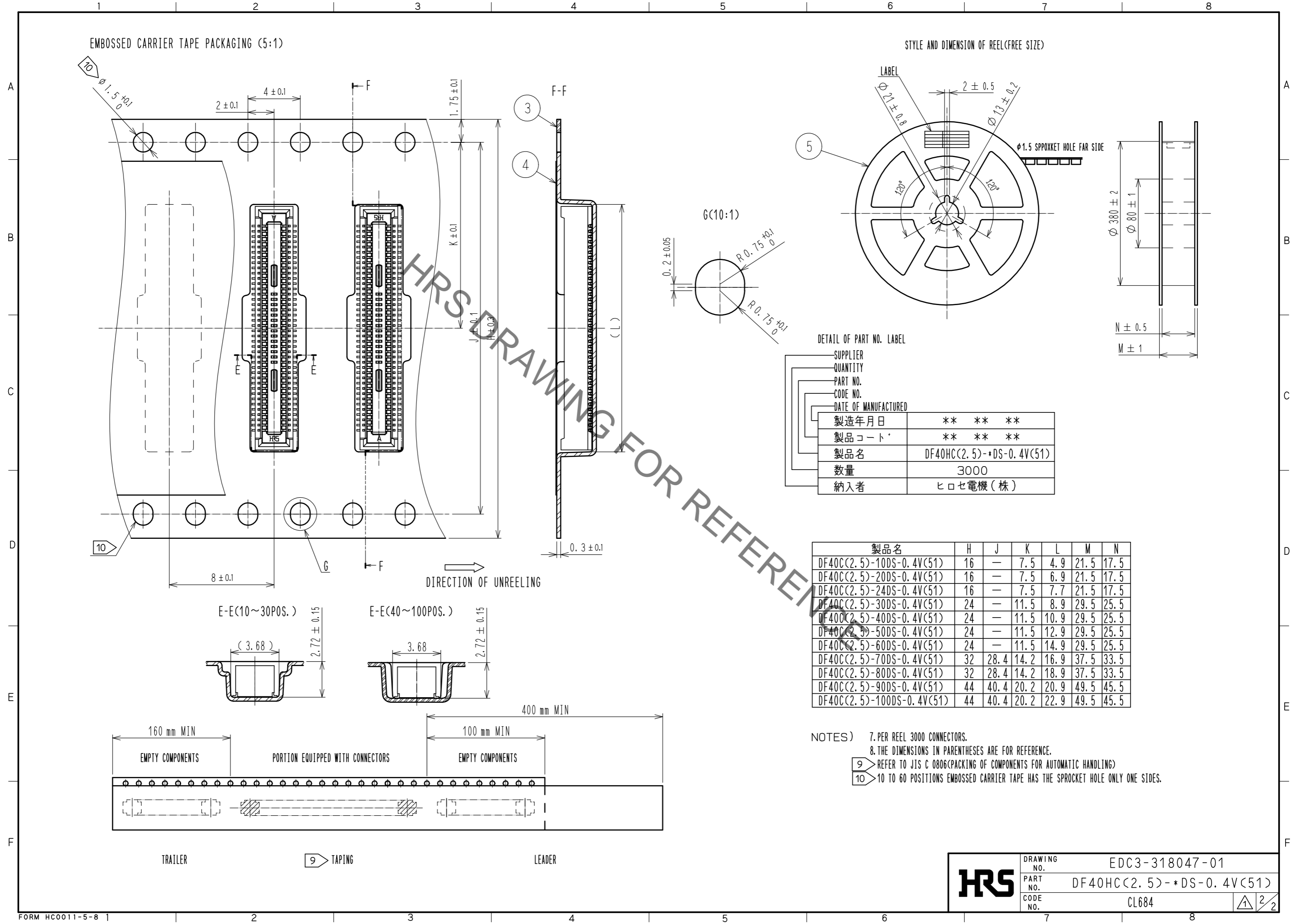
Aug.1.2019 Copyright 2019 HIROSE ELECTRIC CO., LTD. All Rights Reserved.
In case of consideration for using Automotive equipment / device which demand high reliability, kindly contact our sales window correspondents.



Aug.1.2019 Copyright 2019 HIROSE ELECTRIC CO., LTD. All Rights Reserved.
 In case of consideration for using Automotive equipment / device which demand high reliability, kindly contact our sales window correspondents.

EMBOSSED CARRIER TAPE PACKAGING (5:1)

STYLE AND DIMENSION OF REEL(FREE SIZE)

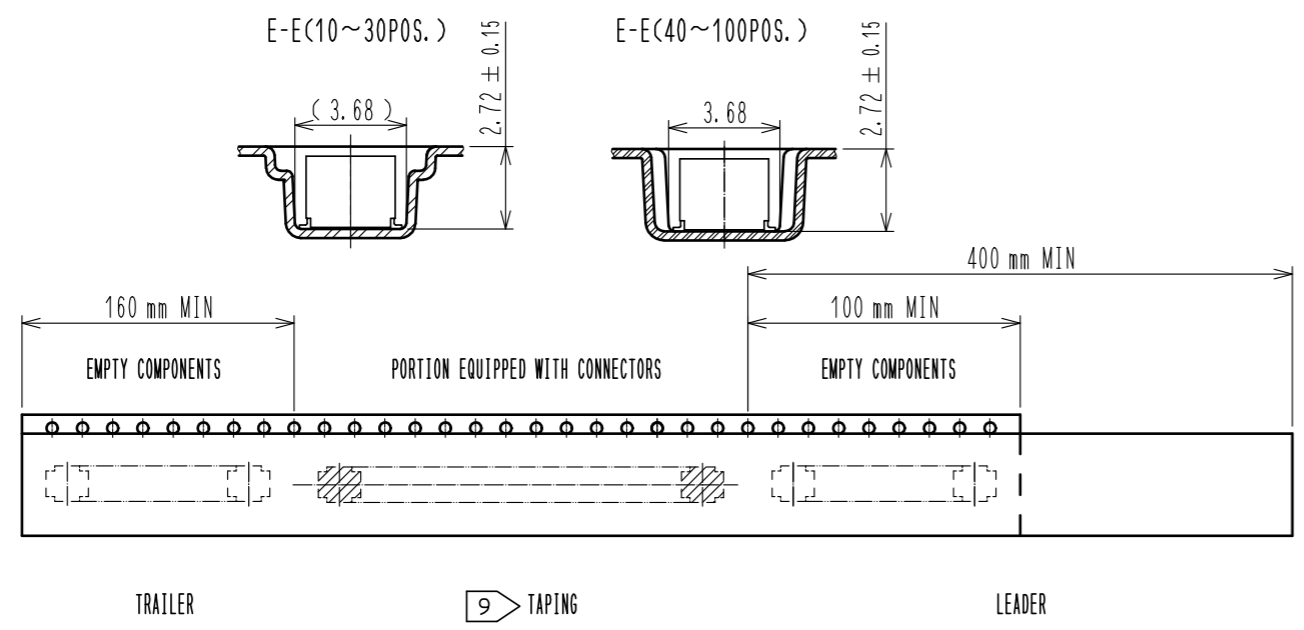


DETAIL OF PART NO. LABEL

SUPPLIER	
QUANTITY	
PART NO.	
CODE NO.	
DATE OF MANUFACTURED	
製造年月日	** ** *
製品コード	** ** *
製品名	DF40HC(2.5)-*DS-0.4V(51)
数量	3000
納入者	ヒロセ電機(株)

製品名	H	J	K	L	M	N
DF40C(2.5)-10DS-0.4V(51)	16	—	7.5	4.9	21.5	17.5
DF40C(2.5)-20DS-0.4V(51)	16	—	7.5	6.9	21.5	17.5
DF40C(2.5)-24DS-0.4V(51)	16	—	7.5	7.7	21.5	17.5
DF40C(2.5)-30DS-0.4V(51)	24	—	11.5	8.9	29.5	25.5
DF40C(2.5)-40DS-0.4V(51)	24	—	11.5	10.9	29.5	25.5
DF40C(2.5)-50DS-0.4V(51)	24	—	11.5	12.9	29.5	25.5
DF40C(2.5)-60DS-0.4V(51)	24	—	11.5	14.9	29.5	25.5
DF40C(2.5)-70DS-0.4V(51)	32	28.4	14.2	16.9	37.5	33.5
DF40C(2.5)-80DS-0.4V(51)	32	28.4	14.2	18.9	37.5	33.5
DF40C(2.5)-90DS-0.4V(51)	44	40.4	20.2	20.9	49.5	45.5
DF40C(2.5)-100DS-0.4V(51)	44	40.4	20.2	22.9	49.5	45.5

- NOTES) 7. PER REEL 3000 CONNECTORS.
 8. THE DIMENSIONS IN PARENTHESES ARE FOR REFERENCE.
 9 REFER TO JIS C 0806(PACKING OF COMPONENTS FOR AUTOMATIC HANDLING)
 10 10 TO 60 POSITIONS EMBOSSD CARRIER TAPE HAS THE SPROCKET HOLE ONLY ONE SIDES.



HRS	DRAWING NO.	EDC3-318047-01
	PART NO.	DF40HC(2.5)-*DS-0.4V(51)
	CODE NO.	CL684
		$\frac{1}{2}$