

Würth Elektronik eiSos GmbH & Co. KG

EMC & Inductive Solutions

Max-Eyth-Straße 1 · 74638 Waldenburg · Germany

Tel. +49 (0) 79 42 945-0 · Fax +49 (0) 79 42 945-400

eiSos@we-online.de · www.we-online.de



Product/Process Change Notice (PCN)

- Major change
 Minor change

PCN #: PCN_IndLF_20180328

Product Affected: WE-LF Series 744662xxx

PCN Date: December 28th, 2017Effective Date: March 28th, 2018

- Product Mark
 Date Code
 Packaging
 Others

Contact: Product Management

Phone: +49 (0) 7942 - 945 5001

Fax: +49 (0) 7942 - 945 5179

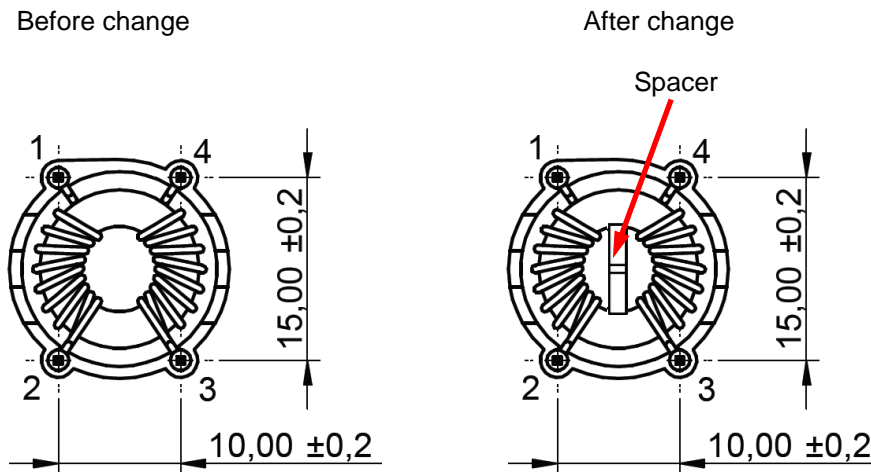
E-mail: pcn.eisos@we-online.deAttachment: Yes No

Samples:

DESCRIPTION AND PURPOSE OF CHANGE:

Due to a continuous product improvement process, Würth Elektronik will add a spacer between the separated windings to insure the required minimal creepage distance.

DETAIL OF CHANGE:



The spacer material will be Ultramid A3X2G5 from BASF with UL-File number E36632.

RELIABILITY / QUALIFICATION SUMMARY:

Product approval is according to the specification and is internally released by the Product Management Department.

DATA SHEET CHANGE:

 Yes No