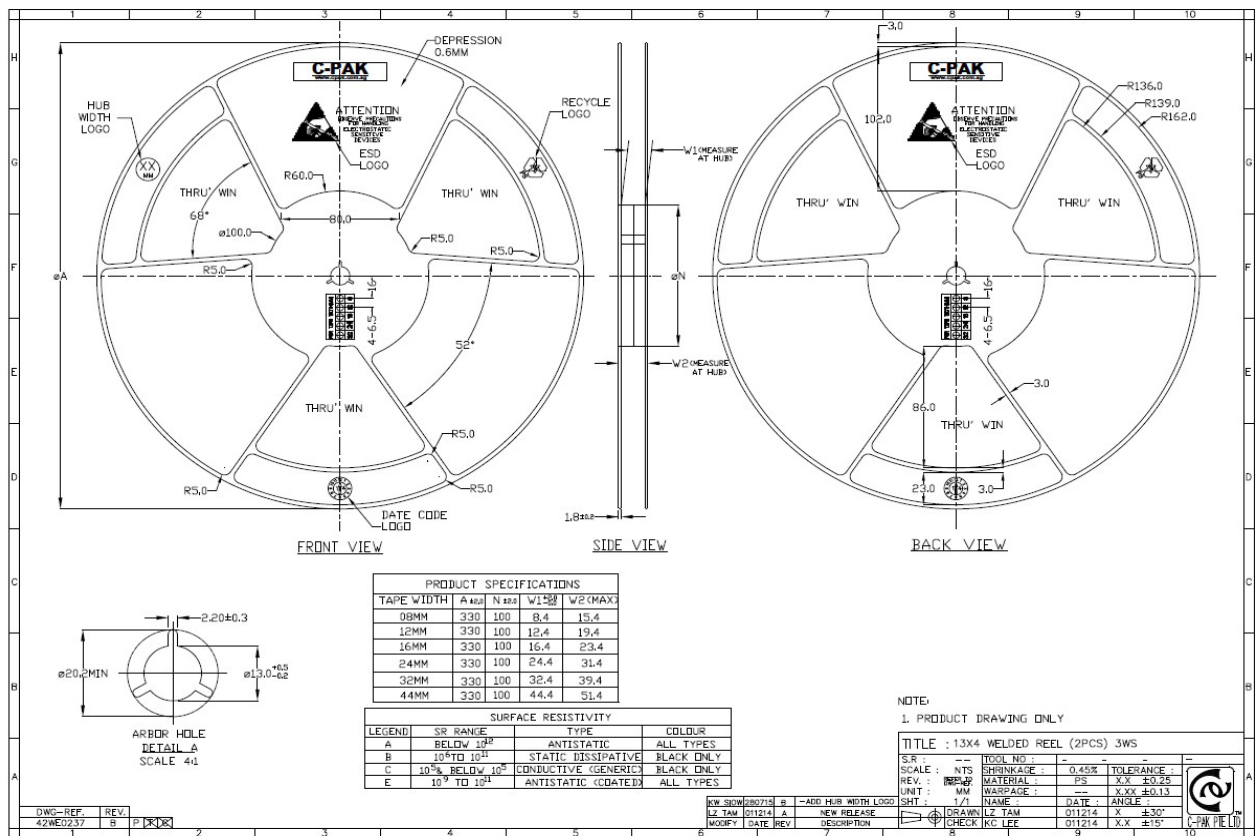
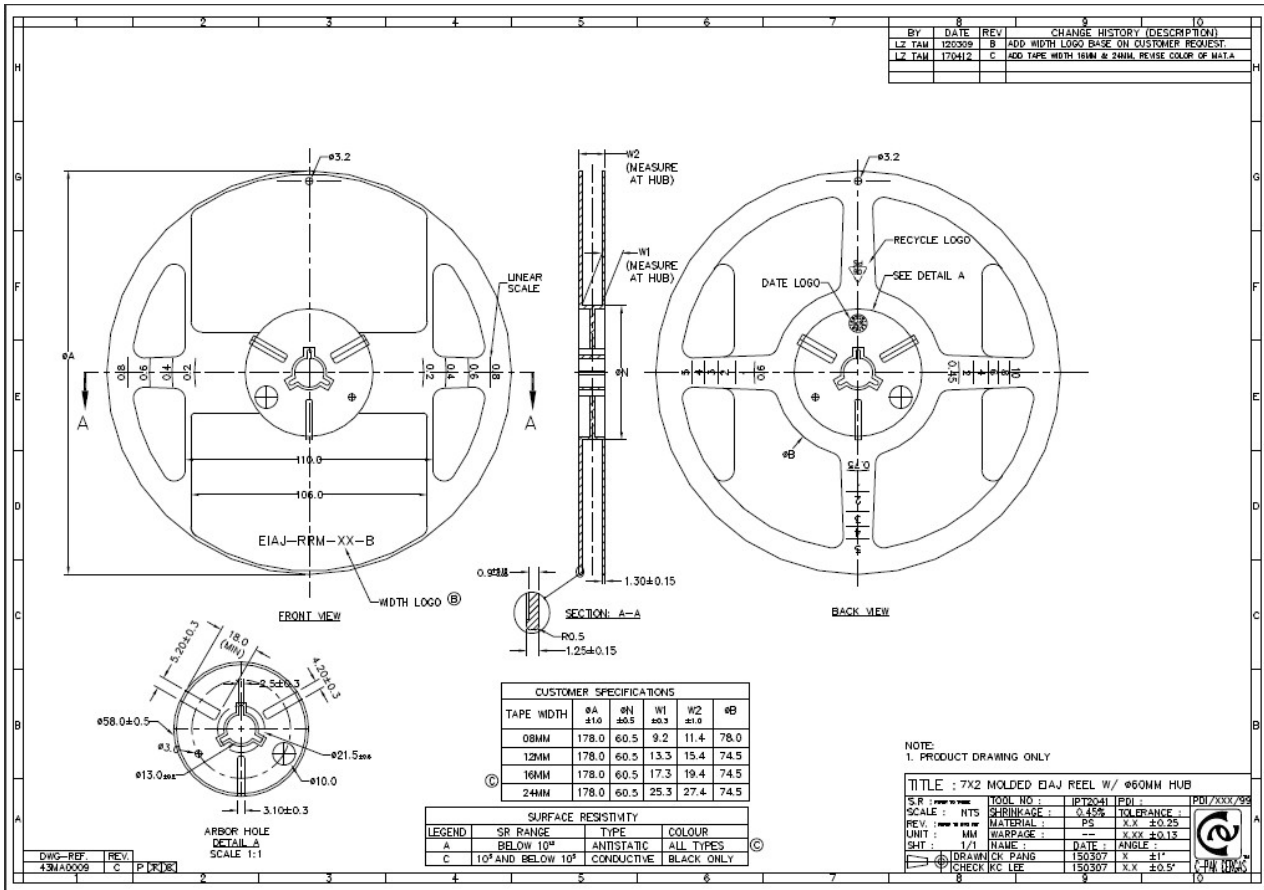


PCN Number:	20160817000	PCN Date:	Sept. 6, 2016
Title:	LM74610/LM74670QDGKTQ1 corrected to 7" reel		
Customer Contact:	PCN Manager	Dept:	Quality Services
Proposed 1st Ship Date:	March 6, 2017		
Change Type:			
<input type="checkbox"/>	Assembly Site	<input type="checkbox"/>	Design
<input type="checkbox"/>	Assembly Process	<input type="checkbox"/>	Wafer Bump Site
<input type="checkbox"/>	Assembly Materials	<input type="checkbox"/>	Data Sheet
<input type="checkbox"/>	Mechanical Specification	<input type="checkbox"/>	Part number change
<input checked="" type="checkbox"/>	Packing/Shipping/Labeling	<input type="checkbox"/>	Test Site
		<input type="checkbox"/>	Test Process
		<input type="checkbox"/>	Wafer Bump Material
		<input type="checkbox"/>	Wafer Bump Process
		<input type="checkbox"/>	Wafer Fab Site
		<input type="checkbox"/>	Wafer Fab Materials
		<input type="checkbox"/>	Wafer Fab Process
PCN Details			
Description of Change:			
Texas Instruments Incorporated is announcing a correction to pack materials for LM74610QDGKTQ1 and LM74670QDGKTQ1 devices.			
Current Reel (13") is susceptible to deformation due to excessive size. The 7" Reel and associated pack materials ensure Reel deformation is avoided.			
Reason for Change:			
Datasheet incorrectly shows 13" Reel and Box in Package Materials Information section.			
Anticipated impact on Fit, Form, Function, Quality or Reliability (positive / negative):			
Positive: Devices ship in correct pack material size.			
Changes to product identification resulting from this PCN:			
Devices ship in 7" size Reel and Box.			
Product Affected:			
LM74610QDGKTQ1 LM74670QDGKTQ1			

Current Reel



New Reel



Current packing method



Paste TI label on the non-logo side of reel



Put 6 unit desiccant and HIC with 3 points



Need paste a MSD label for 5 year requirement, and the TI label under the MSD label



The MBB position in pizza box



Can paste TI labels by box window



Paste TI label on the side of box

New packing method



Paste TI label on the non-logo side of reel



Put one bag with 1 unit desiccant and HIC with 3 points



Paste TI label below MSD print logo



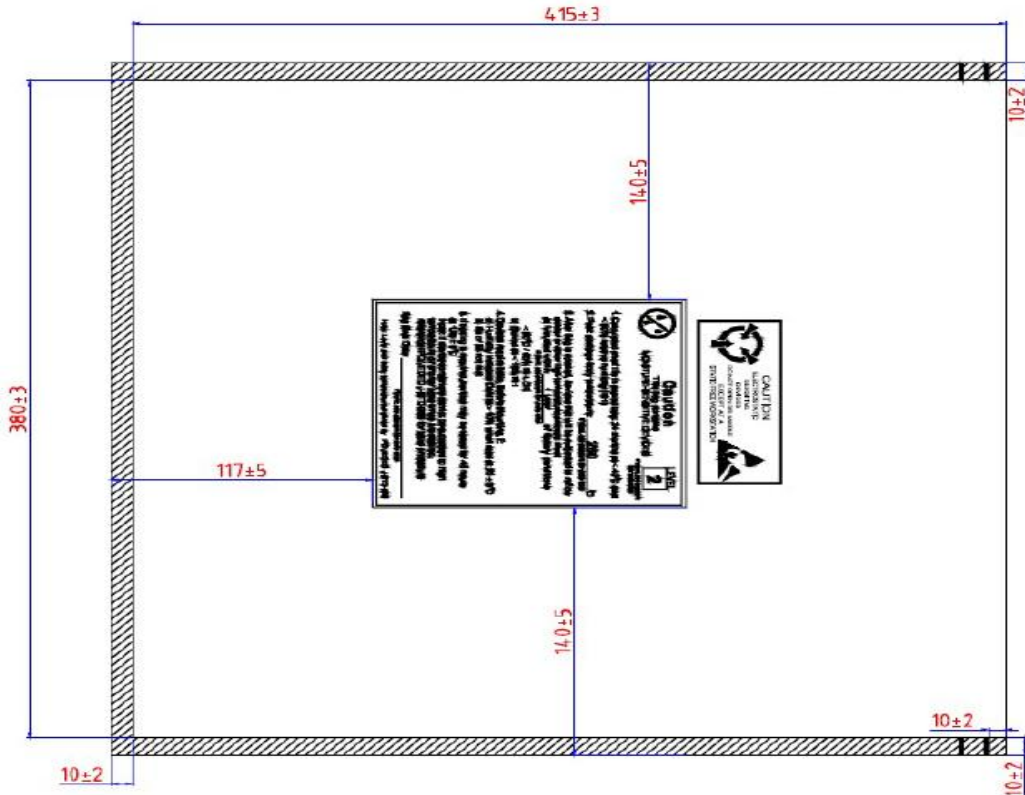
The MBB position in pizza box



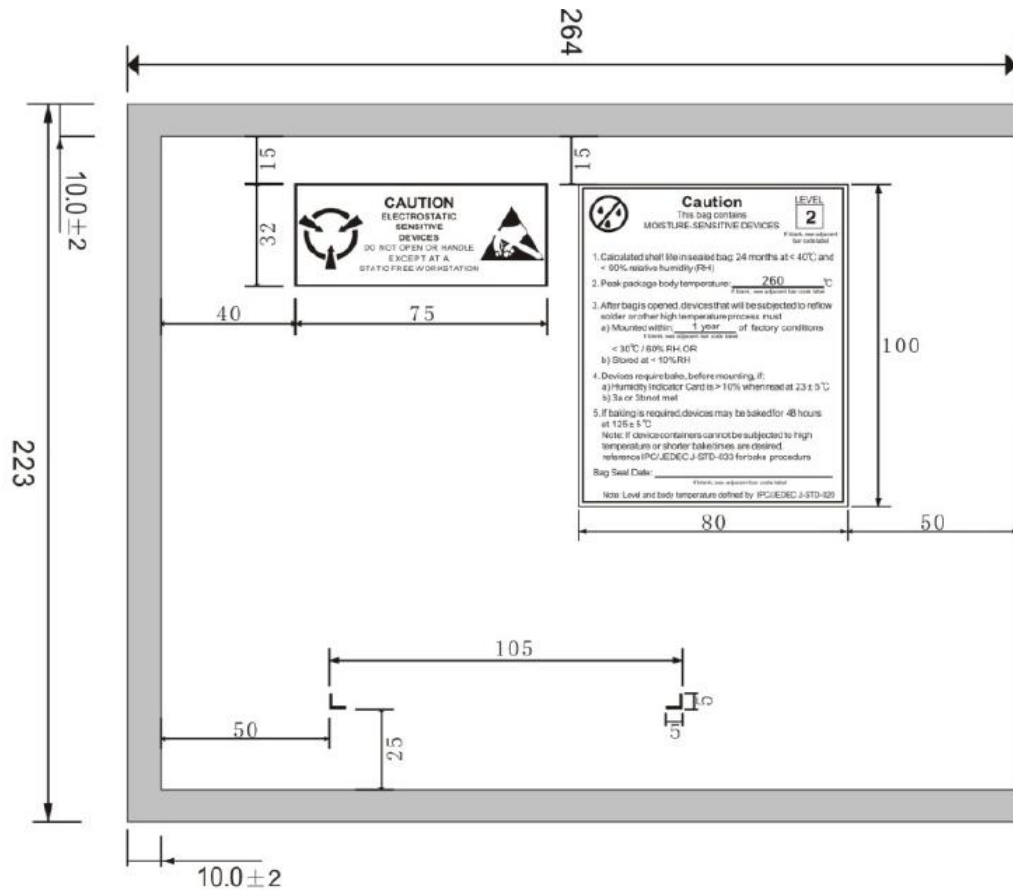
Can paste two TI labels by box window
Current MBB



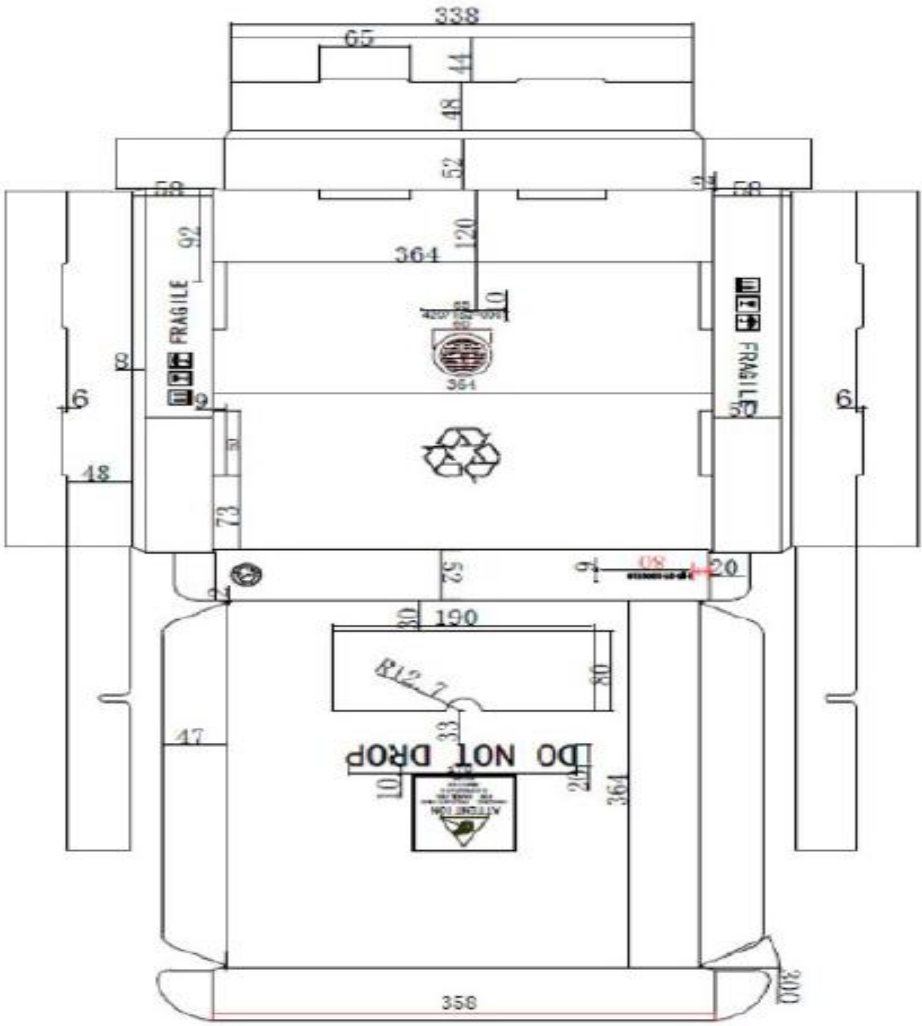
Paste TI label on the side of box



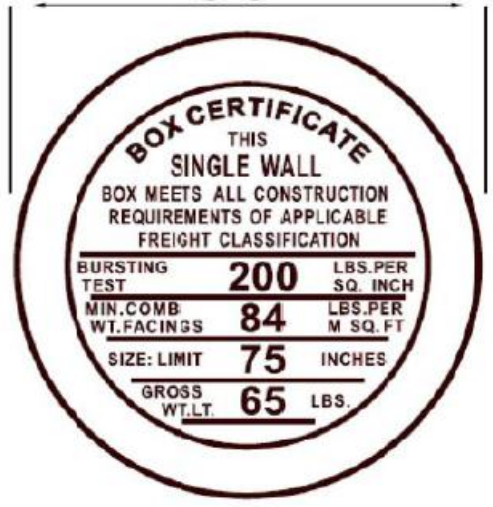
New MBB



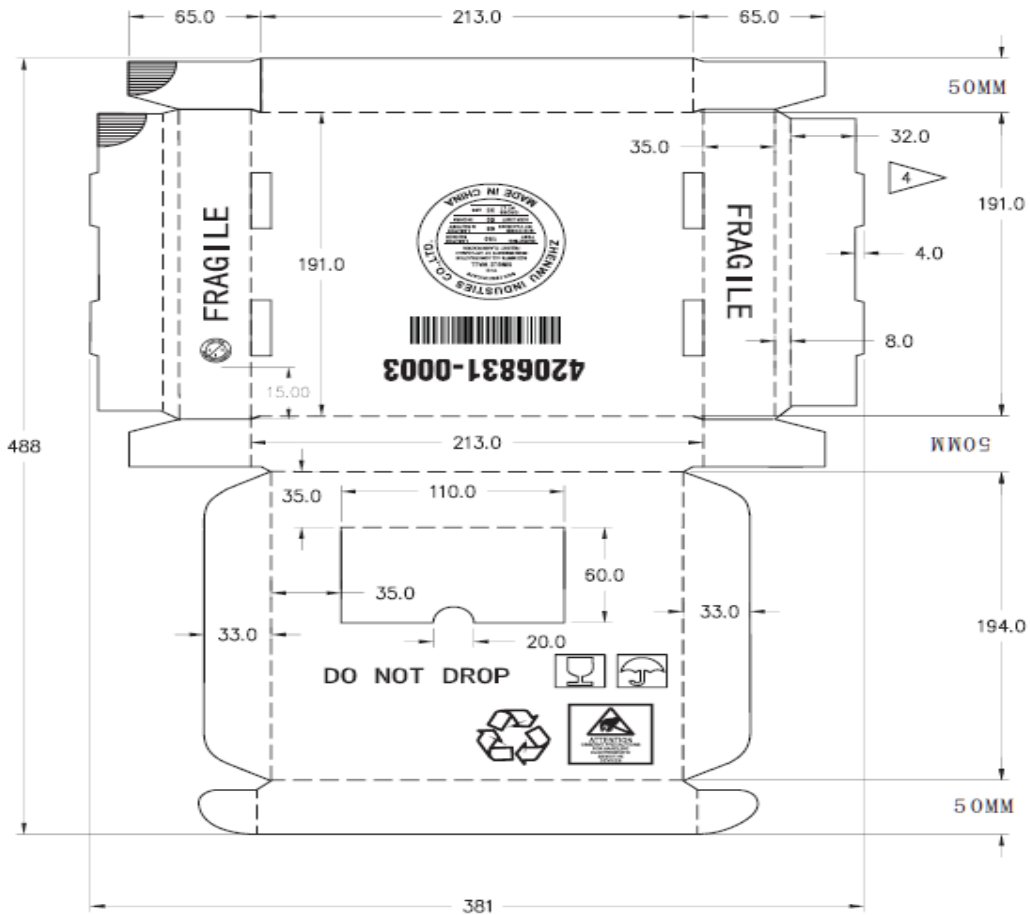
Current Box



60



New Box



For questions regarding this notice, e-mails can be sent to the regional contacts shown below or your local Field Sales Representative.

Location	E-Mail
USA	PCNAmericasContact@list.ti.com
Europe	PCNEuropeContact@list.ti.com
Asia Pacific	PCNAsiaContact@list.ti.com
Japan	PCNJapanContact@list.ti.com