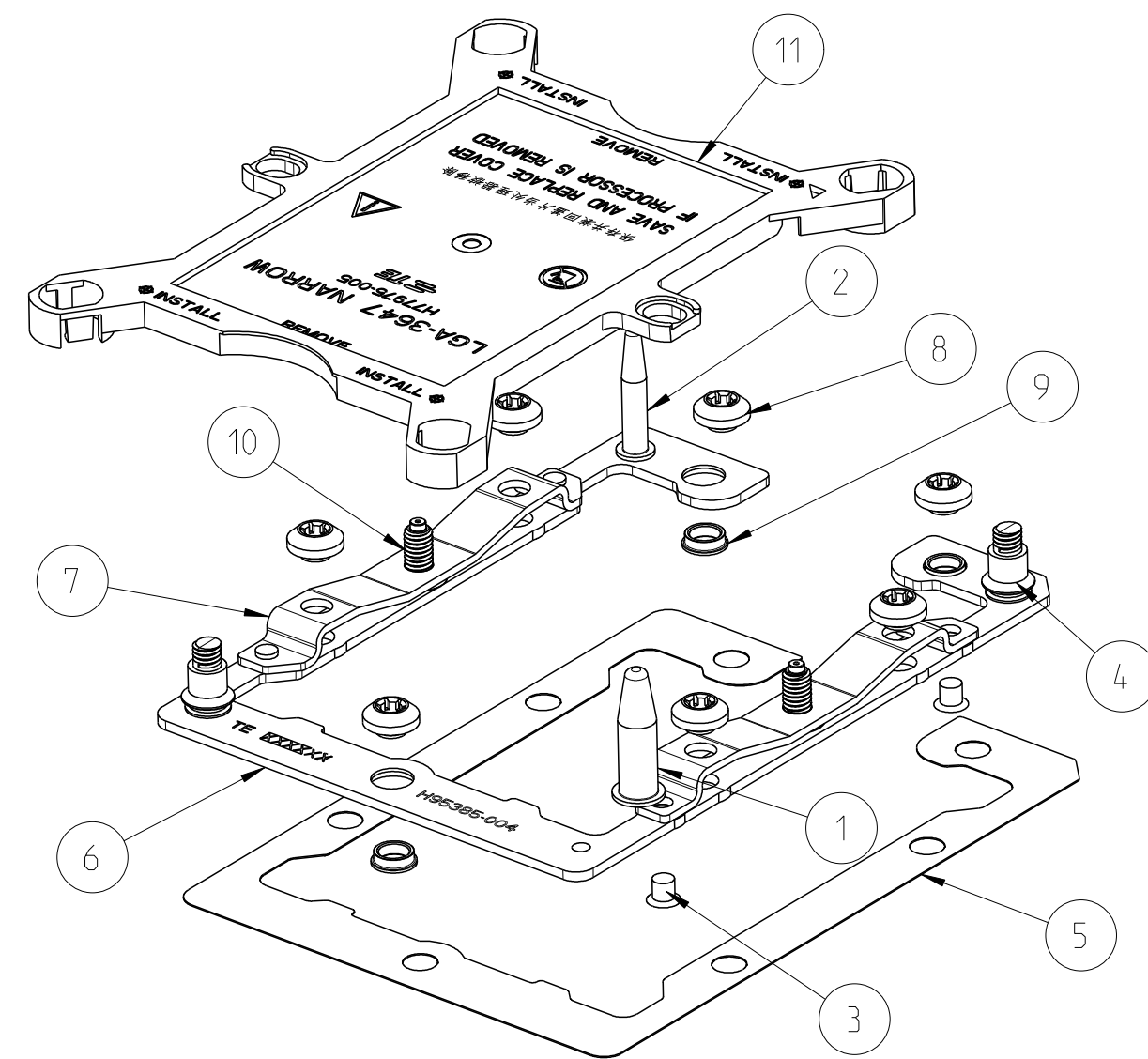
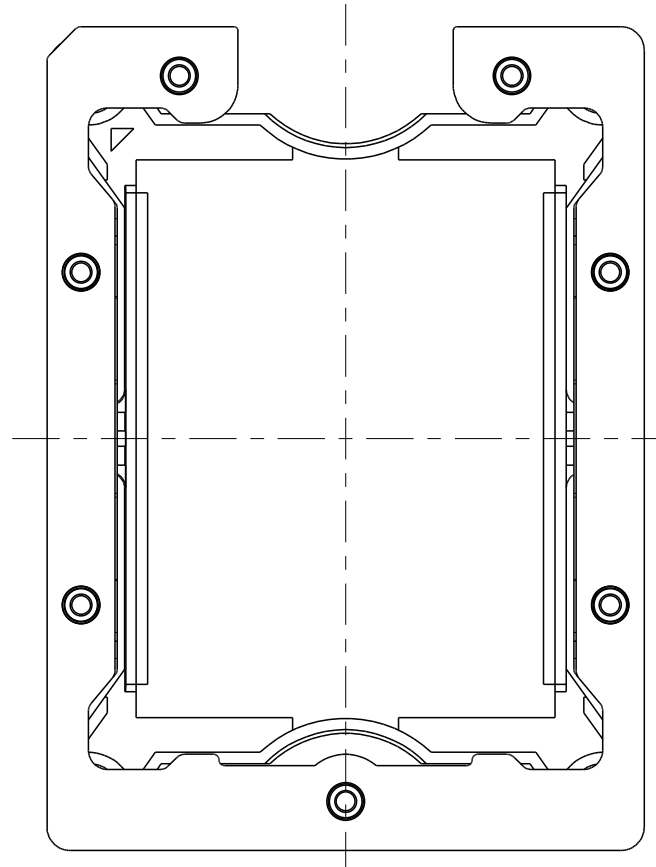
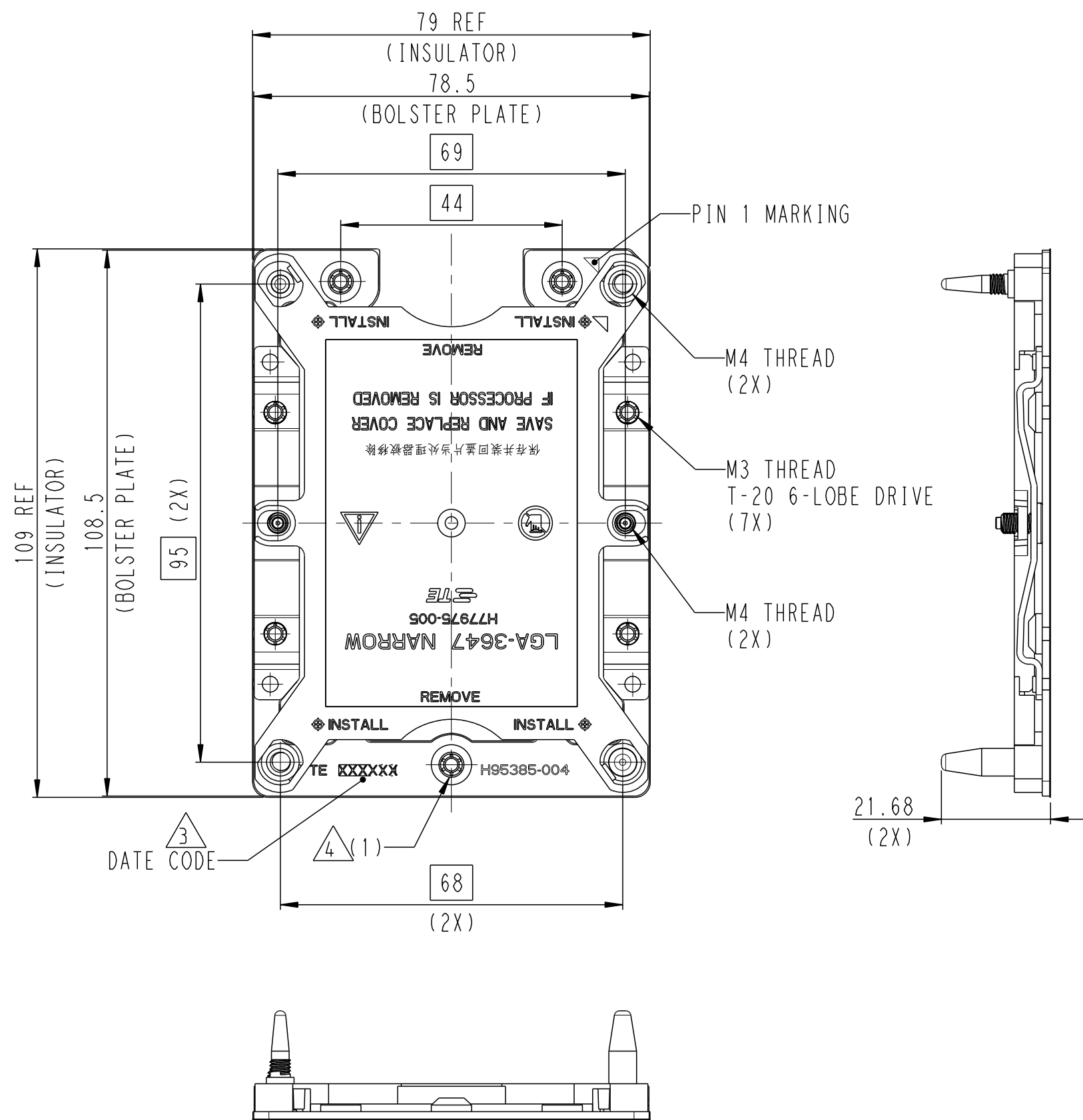


THIS DRAWING IS UNPUBLISHED. RELEASED FOR PUBLICATION
 © COPYRIGHT copyright_date - ALL RIGHTS RESERVED.

REVISIONS				
P	LTR	DESCRIPTION	DATE	DWN APVD
	A2	REVISED	29MAR17	J.W C.W



P/N: 2299804-1 AS SHOW
(NRW-NF TYPE WITH COVER)

NOTES:

1. MATERIAL:

- ① BOLSTER LARGE GUIDE POST: STAINLESS STEEL
- ② BOLSTER SMALL GUIDE POST: STAINLESS STEEL
- ③ SKT-P-KNL, SPRING RIVET: STAINLESS STEEL
- ④ SKX BOLSTER CORNER STANDOFF: STAINLESS STEEL
- ⑤ SKX NRW NON FABRIC BOLSTER INSULATOR:
-POLYCARBONATE FILM PLUS ACRYLIC ADHESIVE LAYER
- ⑥ SKX NRW NON FABRIC BOLSTER PLATE: STAINLESS STEEL
- ⑦ SKX-EP NRW SPRING: STAINLESS STEEL
- ⑧ SOCKET P M3 BOLSTER CAPTIVE NUT: CARBON STEEL, NICKEL PLATING
- ⑨ SOCKET P M3 BOLSTER CAPTIVE NUT COLLAR: CARBON STEEL, NICKEL PLATING
- ⑩ SKT-EP SPRING STUD: STAINLESS STEEL
- ⑪ NRW DUST COVER: THERMO-PLASTIC, UL94V-0, BLACK

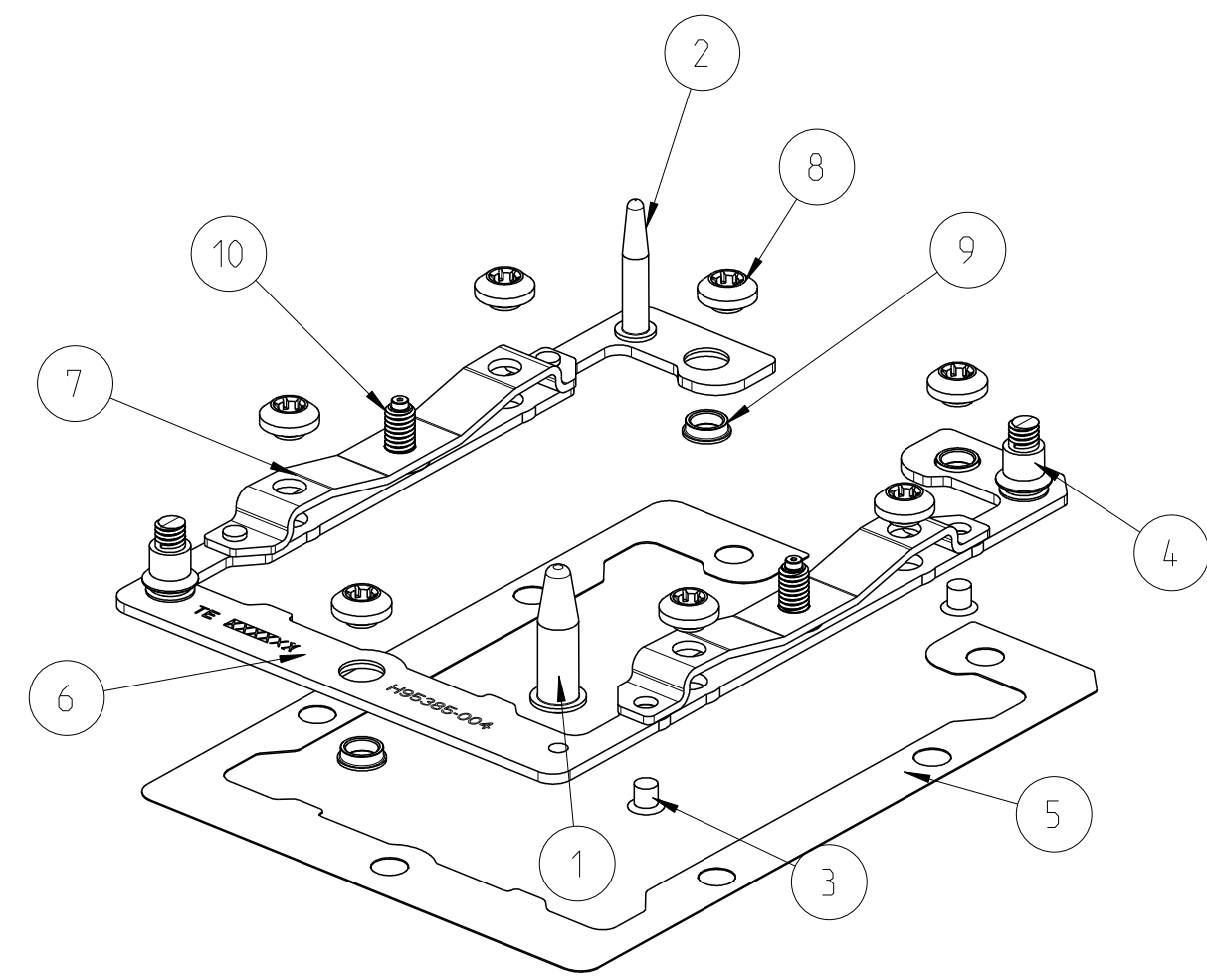
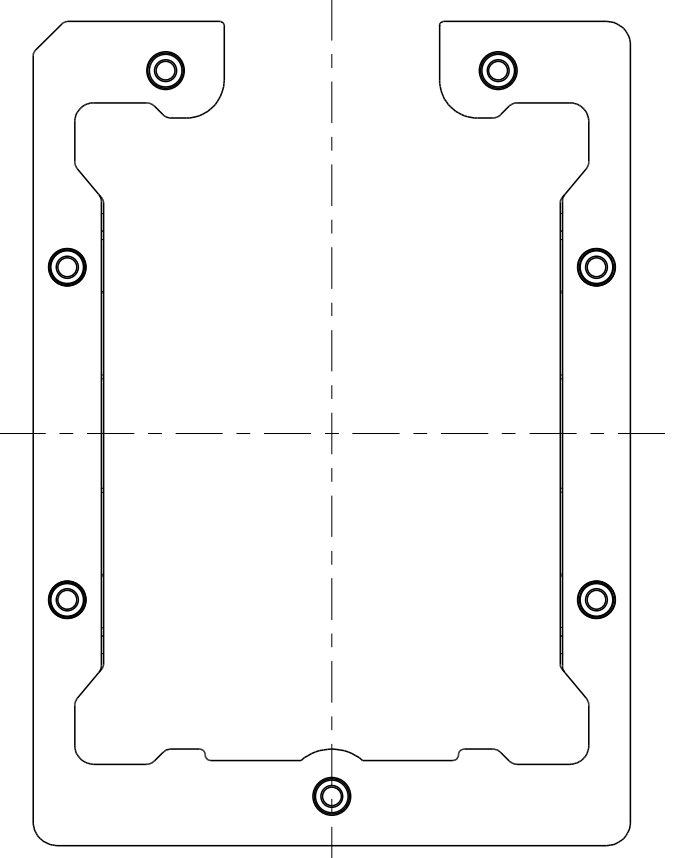
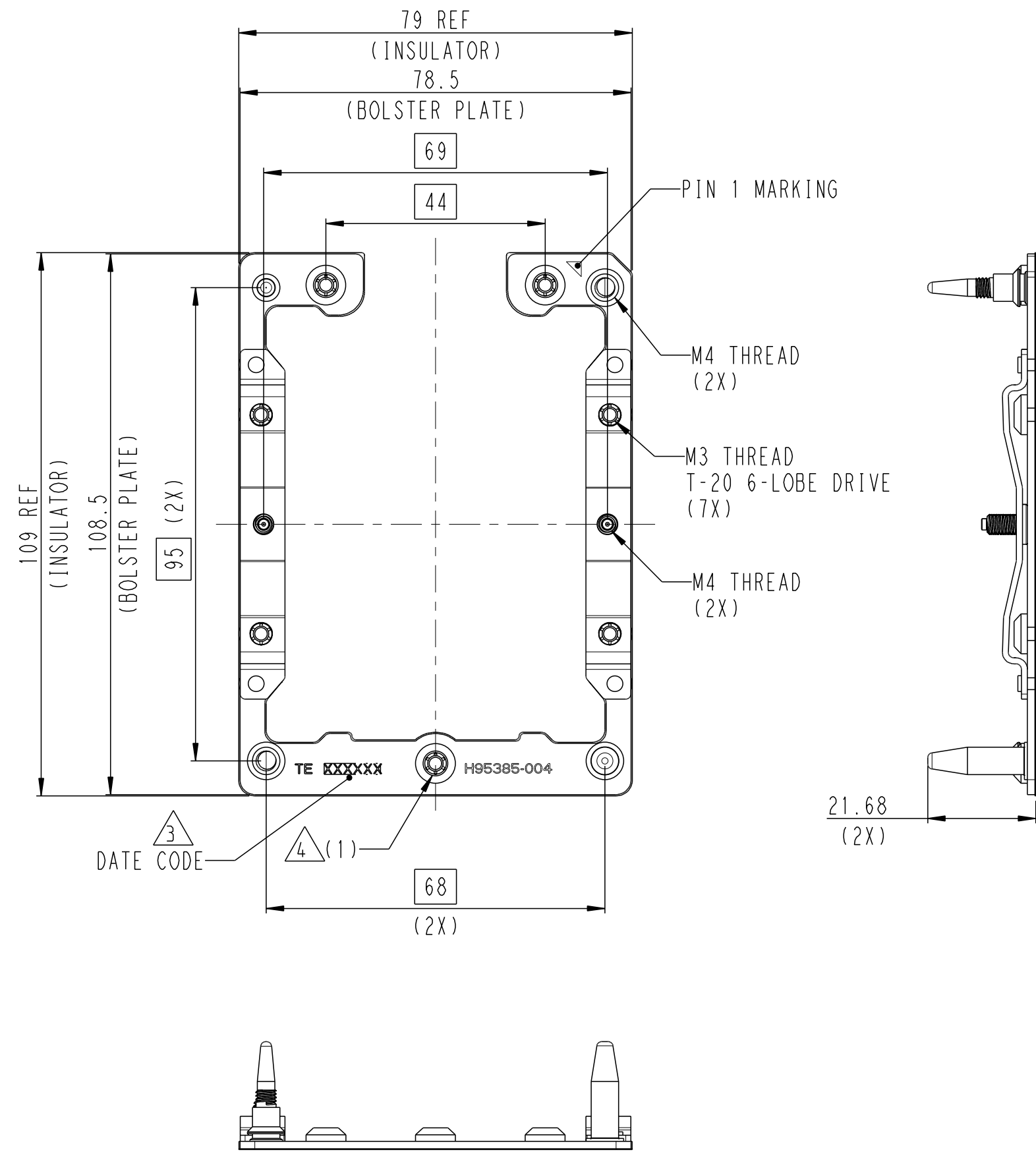
- 2. ASSEMBLED WITH BOLSTER ASSEMBLY P/N: 2299805 SERIES
- 3. INDICATED DATE CODE ON THE BOLSTER PLATE
- 4. NUT ASSEMBLY SEQUENCE FOR 6 CYCLES:
ASSEMBLE (1) AND THE REMAINING NUTS IN ANY ORDER.
DISSASSEMBLE IN REVERSE ORDER OF ASSEMBLE

Q'TY	DESCRIPTION	ITEM
11	NRW DUST COVER	11
10	SKT-EP SPRING STUD	10
9	SOCKET P M3 BOLSTER CAPTIVE NUT COLLAR	9
8	SOCKET P M3 BOLSTER CAPTIVE NUT	8
7	SKX-EP NRW SPRING	7
6	SKX NRW NON FABRIC BOLSTER PLATE	6
5	SKX NRW NON FABRIC BOLSTER INSULATOR	5
4	SKX BOLSTER CORNER STANDOFF	4
3	SKT-P-KNL, SPRING RIVET	3
2	KNL BOLSTER SMALL GUIDE POST	2
1	KNL BOLSTER LARGE GUIDE POST	1

THIS DRAWING IS A CONTROLLED DOCUMENT.		DWN JEFF WANG 23 JUN 2016	TE Connectivity		
		CHK SIMON LI 23 JUN 2016			
		APVD COREL WANG 23 JUN 2016	NAME		
DIMENSIONS: mm		PRODUCT SPEC 108-115115		SKX-EP NRW-NF BOLSTER PLATE ASSY	
TOLERANCES UNLESS OTHERWISE SPECIFIED: 0 PLC ±0.3 1 PLC ±0.3 2 PLC ±0.3 3 PLC ±0.3 4 PLC ±0.3 ANGLES ±0.3 FINISH		APPLICATION SPEC 114-115011		RESTRICTED TO	
MATERIAL		WEIGHT		SCALE 1:1 SHEET 1 OF 2 REV A2	
		CUSTOMER DRAWING			

THIS DRAWING IS UNPUBLISHED. RELEASED FOR PUBLICATION
 © COPYRIGHT copyright_date BY - ALL RIGHTS RESERVED.

REVISIONS				
P	LTR	DESCRIPTION	DATE	APVD
-	-	SEE SHEET 1	-	-



NOTES:

1. MATERIAL:
 - ① BOLSTER LARGE GUIDE POST: STAINLESS STEEL
 - ② BOLSTER SMALL GUIDE POST: STAINLESS STEEL
 - ③ SKT-P-KNL, SPRING RIVET: STAINLESS STEEL
 - ④ SKX BOLSTER CORNER STANDOFF: STAINLESS STEEL
 - ⑤ SKX NRW NON FABRIC BOLSTER INSULATOR: -POLYCARBONATE FILM PLUS ACRYLIC ADHESIVE LAYER
 - ⑥ SKX NRW NON FABRIC BOLSTER PLATE: STAINLESS STEEL
 - ⑦ SKX-EP NRW SPRING: STAINLESS STEEL
 - ⑧ SOCKET P M3 BOLSTER CAPTIVE NUT: CARBON STEEL, NICKEL PLATING
 - ⑨ SOCKET P M3 BOLSTER CAPTIVE NUT COLLAR: CARBON STEEL, NICKEL PLATING
 - ⑩ SKT-EP SPRING STUD: STAINLESS STEEL
2. ASSEMBLED WITH BOLSTER ASSEMBLY P/N: 2299805 SERIES
- ③ INDICATED DATE CODE ON THE BOLSTER PLATE
- ④ NUT ASSEMBLY SEQUENCE FOR 6 CYCLES: ASSEMBLE (1) AND THE REMAINING NUTS IN ANY ORDER. DISSASSEMBLE IN REVERSE ORDER OF ASSEMBLE

P/N: 2299804-3 AS SHOW
(NRW-NF TYPE WITHOUT COVER)

Q'TY	DESCRIPTION	ITEM
10	SKT-EP SPRING STUD	10
9	SOCKET P M3 BOLSTER CAPTIVE NUT COLLAR	9
8	SOCKET P M3 BOLSTER CAPTIVE NUT	8
7	SKX-EP NRW SPRING	7
6	SKX NRW NON FABRIC BOLSTER PLATE	6
5	SKX NRW NON FABRIC BOLSTER INSULATOR	5
4	SKX BOLSTER CORNER STANDOFF	4
3	SKT-P-KNL, SPRING RIVET	3
2	KNL BOLSTER SMALL GUIDE POST	2
1	KNL BOLSTER LARGE GUIDE POST	1

THIS DRAWING IS A CONTROLLED DOCUMENT.		DWN: JEFF WANG 23JUN2016		
		CHK: SIMON LI 23JUN2016		
		APVD: COREL WANG 23JUN2016	NAME: SKX-EP NRW-NF BOLSTER PLATE ASSY	
DIMENSIONS: mm		PRODUCT SPEC: 108-115115	SIZE: A2	CAGE CODE: -
TOLERANCES UNLESS OTHERWISE SPECIFIED:		APPLICATION SPEC: 114-115011	DRAWING NO: C=2299804	RESTRICTED TO: -
MATERIAL: -		WEIGHT: -	SCALE: 1:1	SHEET: 2 OF 2
		CUSTOMER DRAWING	REV: A2	