

TOLC SERIES

(1.27 mm) .050"

QUAD ROW SMT TERMINAL

SPECIFICATIONS

For complete specifications and recommended PCB layouts see www.samtec.com?TOLC

- Insulator Material:** Black Liquid Crystal Polymer
- Terminal Material:** Phosphor Bronze
- Plating:** Au over 50 μ" (1.27 μm) Ni
- Current Rating:** 2.4 A per pin (6 adjacent pins powered)
- Operating Temp Range:** -55 °C to +125 °C
- RoHS Compliant:** Yes

Mates with:
SOLC

PROCESSING

- Lead-Free Solderable:** Yes
- SMT Lead Coplanarity:** (0.10 mm) .004" max (05-30) (0.15 mm) .006" max (35-50)*
- *(.004" stencil solution may be available; contact IPG@samtec.com)

RECOGNITIONS

For complete scope of recognitions see www.samtec.com/quality



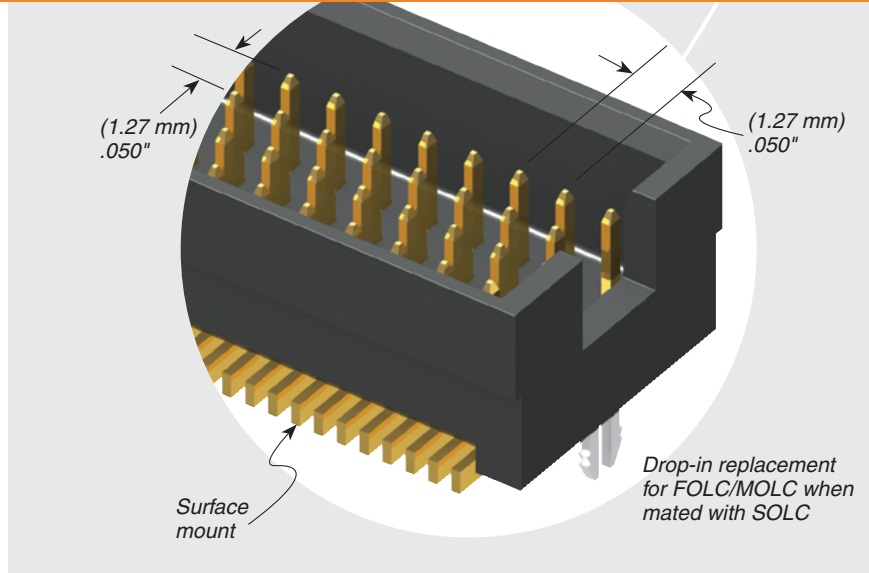
OTHER SOLUTIONS

- For Micro Rugged, see the MOLC/FOLC pages located in the Tiger Eye™ section.

ALSO AVAILABLE (MOQ Required)

- Other sizes
- Other platings

Note: Some sizes, styles and options are non-standard, non-returnable.

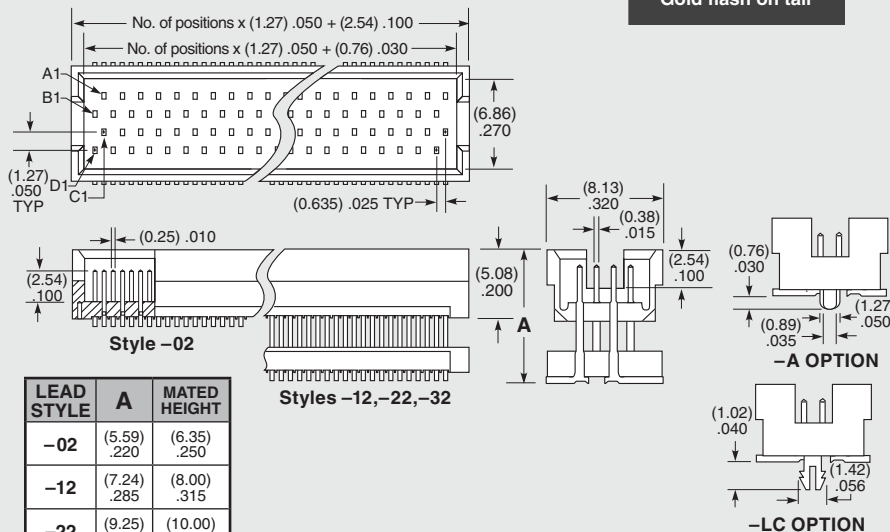


05, 10, 15, 20, 25, 30, 35, 40, 45, 50
(Standard sizes)

Specify LEAD STYLE from chart

- F** = Gold flash on post, Gold flash on tail
- L** = 10 μ" (0.25 μm) Gold on post, Gold flash on tail

- A** = Alignment Pin (Not available with -LC)
- LC** = Locking Clip (Not available with -A) (Manual placement required)
- K** = (9.00 mm) .354" DIA Polyimide film Pick & Place Pad
- TR** = Tape & Reel



Due to technical progress, all designs, specifications and components are subject to change without notice.