



AFE1144

For most current data sheet and other product information, visit www.burr-brown.com

HDSL/MDSL ANALOG FRONT END

FEATURES

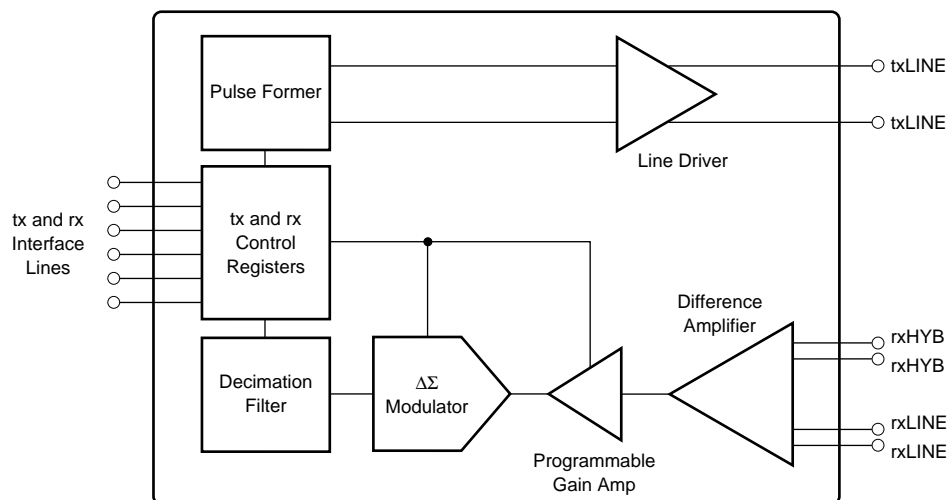
- LOWER OUT OF BAND PSD
- SSOP-28
- PIN COMPATIBLE WITH AFE1124

- 64kbps TO 1168kbps OPERATION
- SCALABLE DATA RATE
- 250mW POWER DISSIPATION
- +5V POWER (5V or 3.3V Digital)

DESCRIPTION

Burr-Brown's Analog Front End chip greatly reduces the size and cost of an xDSL (Digital Subscriber Line) system by providing all of the active analog circuitry needed to connect a digital signal processor to an external compromise hybrid and line transformer. The AFE1144 is optimized for HDSL (High bit rate DSL) and for lower speed MDSL (Medium speed DSL) and RADSL (Rate Adaptive DSL) applications. Because the transmit and receive filter responses automatically change with clock frequency, the AFE1144 is particularly suitable for RADSL and multiple rate DSL systems. The device operates over a wide range of data rates from 64kbps to 1168kbps.

Functionally, this unit consists of a transmit and a receive section. The transmit section generates analog signals from 2-bit digital symbol data and filters the analog signals to create 2B1Q symbols. The on board differential line driver provides a 13.5dBm signal to the telephone line. The receive section filters and digitizes the symbol data received on the telephone line. This IC operates on a single 5V supply. The digital circuitry in the unit can be connected to a supply from 3.3V to 5V. It is housed in a SSOP-28 package.



AFE1144

Patents Pending

International Airport Industrial Park • Mailing Address: PO Box 11400, Tucson, AZ 85734 • Street Address: 6730 S. Tucson Blvd., Tucson, AZ 85706 • Tel: (520) 746-1111
Twx: 910-952-1111 • Internet: <http://www.burr-brown.com/> • Cable: BBRCORP • Telex: 066-6491 • FAX: (520) 889-1510 • Immediate Product Info: (800) 548-6132

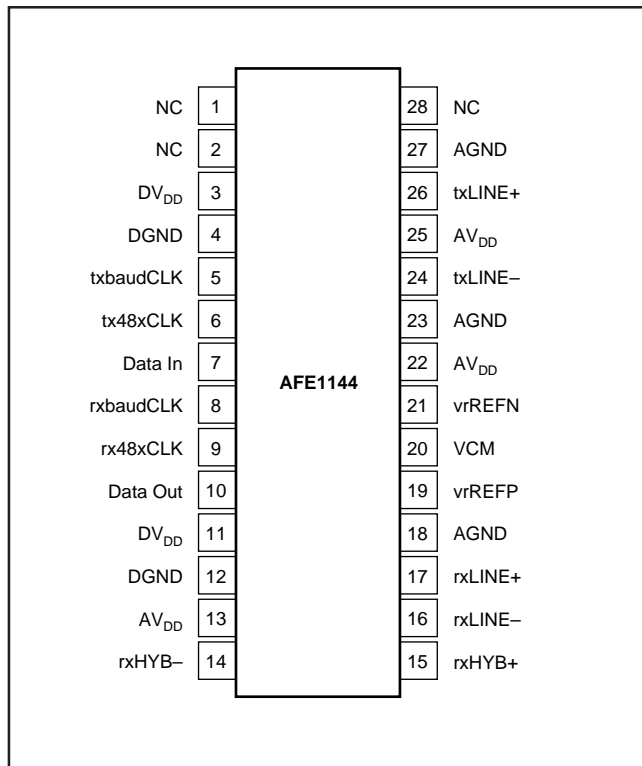
SPECIFICATIONS

Specifications are at 25°C, AV_{DD} = +5V, DV_{DD} = +3.3V, f_{ix} = 584kHz (E1 rate), unless otherwise noted.

| PARAMETER | COMMENTS | AFE1144E | | | UNITS |
|---|---|-----------------------|--------------------------------|-----------------------|---------------------|
| | | MIN | TYP | MAX | |
| RECEIVE CHANNEL | | | | | |
| Number of Inputs | Differential | 2 | | | |
| Input Voltage Range | Balanced Differential ⁽¹⁾ | | ±3.0 | | V |
| Common-Mode Voltage | | | AV _{DD} /2 | | V |
| Input Impedance All Inputs | | | See Typical Performance Curves | | |
| Input Capacitance | | | 10 | | pF |
| Input Gain Matching | Line Input vs Hybrid Input | | ±2 | | % |
| Resolution | | 14 | | | Bits |
| Programmable Gain | 0dB, 3dB, 6dB, 9dB and 12dB | 0 | | +12 | dB |
| Settling Time for Gain Change | | | 6 | | Symbol Periods |
| Gain + Offset Error | Tested at Each Gain Range | | 5 | | %FSR ⁽²⁾ |
| Output Data Coding | Two's Complement | | | | |
| Output Symbol Rate, rxSYNC ⁽³⁾ | | 32 | | 584 | kHz |
| Output Bit Rate, rxSYNC ⁽³⁾ | | 64 | | 1168 | kbits/sec |
| TRANSMIT CHANNEL | | | | | |
| Transmit Clock Rate, f _{ix} | Symbol Rate | 32 | | 584 | kHz |
| T1 Transmit -3dB Point | T1E1 4/99 - 002R4 Draft Compliant | | 196 | | kHz |
| T1 Rate Power ^(4, 5) | txBoost = 0 | 13 | | 14 | dBm |
| E1 Transmit -3dB Point | ETSI Compliant | | 292 | | kHz |
| E1 Transmit Power ^(4, 5) | txBoost = 0 | 13 | | 14 | dBm |
| Common-Mode Voltage, V _{CM} | | | AV _{DD} /2 | | V |
| Output Resistance ⁽⁶⁾ | DC to 1MHz | | 1 | | Ω |
| TRANSCIEVER PERFORMANCE | | | | | |
| Uncancelled Echo ⁽⁵⁾ | rxGAIN = 0dB, Loopback Enabled | | -71 | -68.5 | dB |
| | rxGAIN = 0dB, Loopback Disabled | | -71 | -68.5 | dB |
| | rxGAIN = 3dB, Loopback Disabled | | -74 | -71 | dB |
| | rxGAIN = 6dB, Loopback Disabled | | -76 | -73.5 | dB |
| | rxGAIN = 9dB, Loopback Disabled | | -78 | -75.5 | dB |
| | rxGAIN = 12dB, Loopback Disabled | | -80 | -77.5 | dB |
| DIGITAL INTERFACE | | | | | |
| Logic Levels | | | | | |
| V _{IH} | I _{IH} < 10μA | DV _{DD} -1 | | DV _{DD} +0.3 | V |
| V _{IL} | I _{IL} < 10μA | -0.3 | | +0.8 | V |
| V _{OH} | I _{OH} = -20μA | DV _{DD} -0.5 | | | V |
| V _{OL} | I _{OL} = 20μA | | | +0.4 | V |
| t _{rx1} Interface | | 9 | | 14 | ns |
| POWER | | | | | |
| Analog Power Supply Voltage | Specification | | 5 | | V |
| Analog Power Supply Voltage | Operating Range | 4.75 | | 5.25 | V |
| Digital Power Supply Voltage | Specification | | 3.3 | | V |
| Digital Power Supply Voltage | Operating Range | 3.15 | | 5.25 | V |
| Power Dissipation ^(4, 5) | AV _{DD} = 5V, DV _{DD} = 3.3V, | | 250 | | mW |
| Power Dissipation ^(4, 5) | AV _{DD} = DV _{DD} = 5V | | 300 | | mW |
| PSRR | | | 55 | | dB |
| TEMPERATURE RANGE | | | | | |
| Operating ⁽⁶⁾ | | -40 | | +85 | °C |

NOTES: (1) With a balanced differential signal, the positive input is 180° out of phase with the negative input, therefore the actual voltage swing about the common-mode voltage on each pin is ±1.5V to achieve a total input range of ±3.0V or 6Vp-p. (2) FSR is Full-Scale Range. (3) The output data is available at twice the symbol rate with interpolated values. (4) With a pseudorandom equiprobable sequence of HDSL pulses; 13.5dBm applied to the transformer (16.5dBm output from txLINEP and txLINEN). (5) See the Discussion of Specifications section of this data sheet for more information. (6) Functionality is guaranteed over temperature range.

PIN CONFIGURATION



ABSOLUTE MAXIMUM RATINGS

| | |
|--|--|
| Analog Inputs: Current | ±100mA, Momentary ±10mA, Continuous |
| Voltage | AGND -0.3V to AV _{DD} +0.3V |
| Analog Outputs Short Circuit to Ground (+25°C) | Continuous |
| AV _{DD} to AGND | -0.3V to 6V |
| DV _{DD} to DGND | -0.3V to 6V |
| Digital Input Voltage to DGND | -0.3V to DV _{DD} +0.3V |
| Digital Output Voltage to DGND | -0.3V to DV _{DD} +0.3V |
| AGND, DGND, Differential Voltage | 0.3V |
| Junction Temperature (T _j) | +150°C |
| Storage Temperature Range | -40°C to +125°C |
| Lead Temperature (soldering, 3s) | +260°C |
| Power Dissipation | 700mW |



ELECTROSTATIC DISCHARGE SENSITIVITY

This integrated circuit can be damaged by ESD. Burr-Brown recommends that all integrated circuits be handled with appropriate precautions. Failure to observe proper handling and installation procedures can cause damage.

ESD damage can range from subtle performance degradation to complete device failure. Precision integrated circuits may be more susceptible to damage because very small parametric changes could cause the device not to meet its published specifications.

PACKAGE/ORDERING INFORMATION

| PRODUCT | PACKAGE | PACKAGE DRAWING NUMBER | SPECIFIED TEMPERATURE RANGE | PACKAGE MARKING | ORDERING NUMBER ⁽¹⁾ | TRANSPORT MEDIA |
|--------------|--------------|------------------------|-----------------------------|-----------------|--------------------------------|------------------------|
| AFE1144 " | SSOP-28 " | 324 " | -40°C to +85°C " | AFE1144E " | AFE1144E AFE1144E/1K | Rails Tape and Reel |

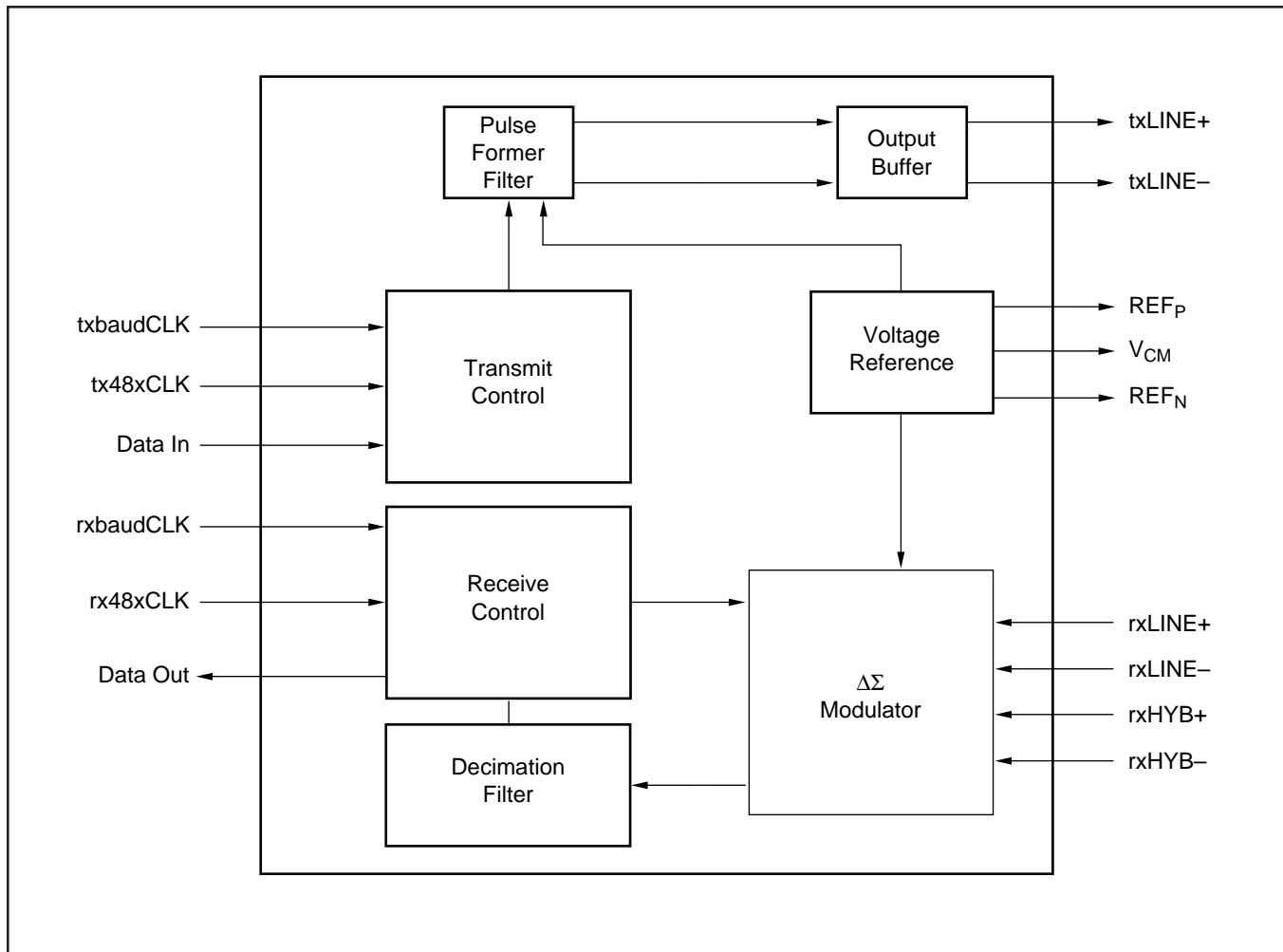
NOTE: (1) Models with a slash (/) are available only in Tape and Reel in the quantities indicated (e.g., /1K indicates 1000 devices per reel). Ordering 1000 pieces of "AFE1144E/1K" will get a single 1000-piece Tape and Reel.

The information provided herein is believed to be reliable; however, BURR-BROWN assumes no responsibility for inaccuracies or omissions. BURR-BROWN assumes no responsibility for the use of this information, and all use of such information shall be entirely at the user's own risk. Prices and specifications are subject to change without notice. No patent rights or licenses to any of the circuits described herein are implied or granted to any third party. BURR-BROWN does not authorize or warrant any BURR-BROWN product for use in life support devices and/or systems.

PIN DESCRIPTIONS

| PIN # | TYPE | NAME | DESCRIPTION |
|-------|---------------|------------------|---|
| 1 | No Connection | NC | |
| 2 | No Connection | NC | |
| 3 | Power | DV _{DD} | Digital Supply (+3.3 to +5V) |
| 4 | Ground | DGND | Digital Ground |
| 5 | Input | txbaudCLK | Transmit Baud Clock (584kHz for E1) |
| 6 | Input | tx48xCLK | Transmit Clock at 48x baud clock (28.032MHz for E1) |
| 7 | Input | Data In | Input Data Word |
| 8 | Input | rxbaudCLK | Receive baud clock (584kHz for E1) |
| 9 | Input | rx48xCLK | Receive clock at 48x baud clock (28.032MHz for E1) |
| 10 | Output | Data Out | Output Data Word |
| 11 | Power | DV _{DD} | Digital Supply (+3.3 to +5V) |
| 12 | Ground | DGND | Digital Ground |
| 13 | Power | AV _{DD} | Analog Supply (+5V) |
| 14 | Input | rxHYB- | Negative input from hybrid network |
| 15 | Input | rxHYB+ | Positive input from hybrid network |
| 16 | Input | rxLINE- | Negative line input |
| 17 | Input | rxLINE+ | Positive line input |
| 18 | Ground | AGND | Analog Ground |
| 19 | Output | vrREFP | Positive reference output |
| 20 | Output | VCM | Common-mode voltage (buffered) |
| 21 | Output | vrREFN | Negative reference output |
| 22 | Power | AV _{DD} | Analog Supply (+5V) |
| 23 | Ground | AGND | Analog Ground |
| 24 | Output | txLINE- | Negative line output |
| 25 | Power | AV _{DD} | Output buffer supply (+5V) |
| 26 | Output | txLINE+ | Positive line output |
| 27 | Ground | AGND | Output buffer ground |
| 28 | No Connection | NC | |

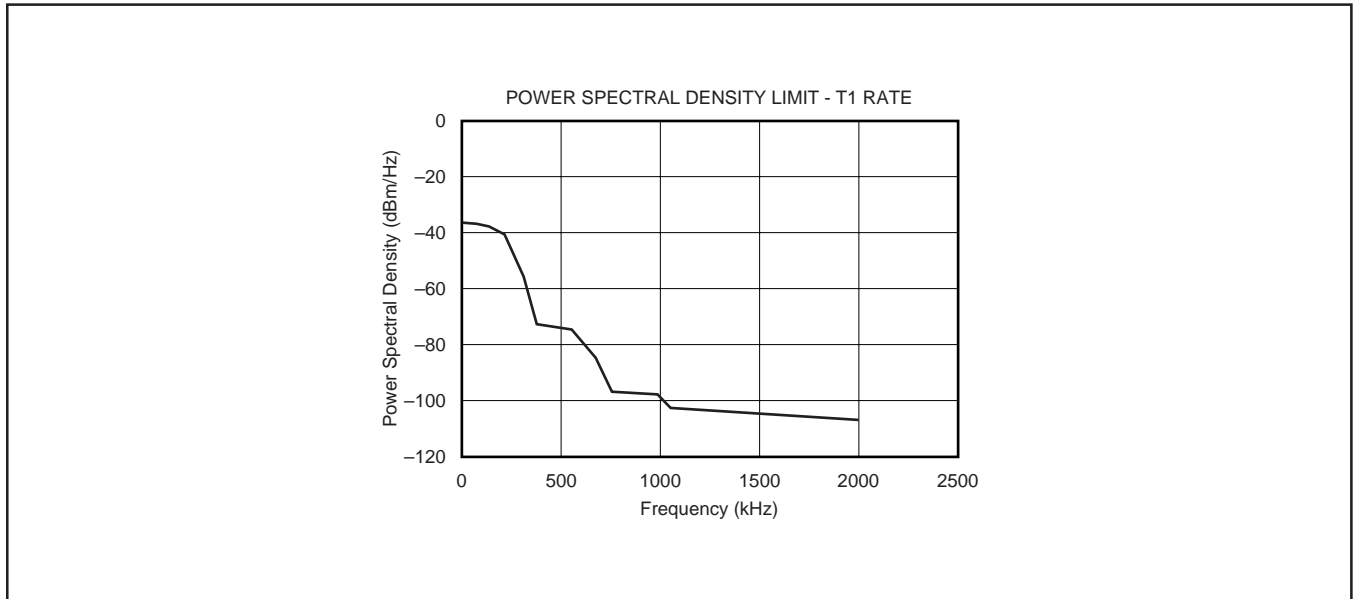
BLOCK DIAGRAM



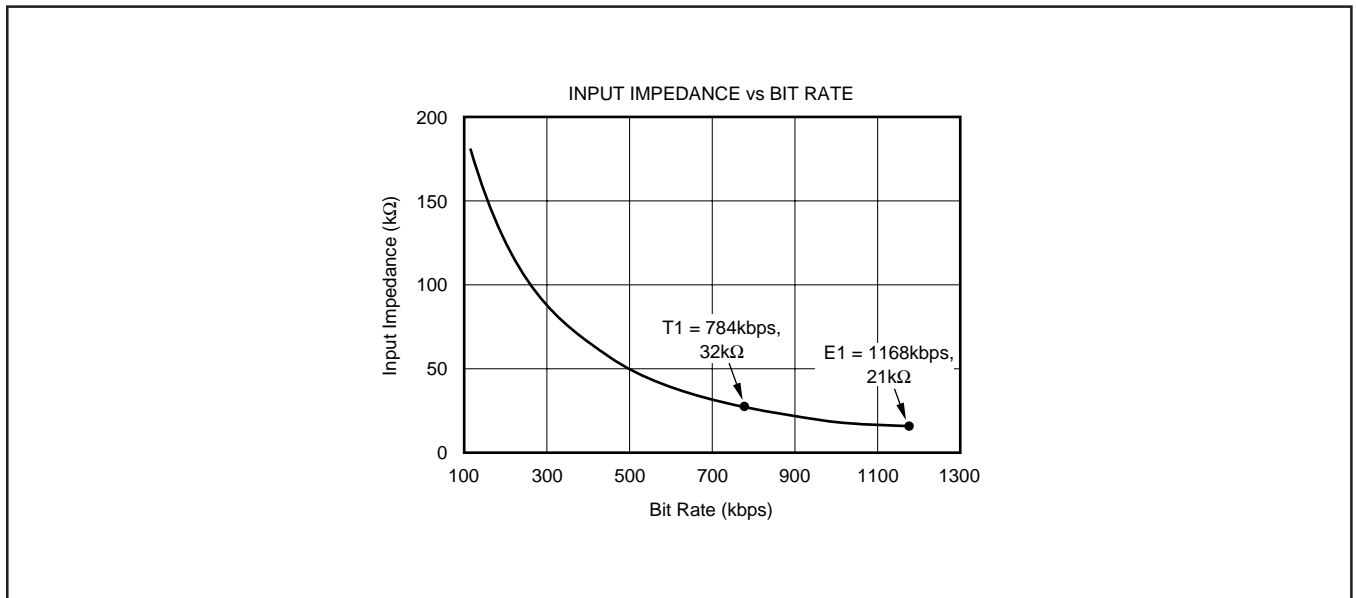
TYPICAL PERFORMANCE CURVES

At Output of HDSL Pulse Transformer

The curves shown below are measured at the line output of the HDSL transformer. Typical at 25°C, $V_{DD+} = +5V$, $DV_{DD+} = +3.3V$, $f_{TX} = 1168kHz$, unless otherwise specified.



CURVE 1. Upper Bound of Power Spectral Density Measured at Output of HDSL Transformer.



CURVE 2. Input Impedance of rxLINE and rxHYB.

THEORY OF OPERATION

The AFE1144 consists of a transmit and a receive channel. It interfaces to the HDSL DSP through a six wire serial interface, three wires for the transmit channel and three wires for the receive channel. It interfaces to the HDSL telephone line transformer and external compromise hybrid through transmit and receive analog connections.

The transmit channel consists of a switched-capacitor pulse forming network followed by a differential line driver. The pulse forming network receives 2-bit digital symbol data and generates a filtered 2B1Q analog output waveform. The differential line driver uses a composite output stage combining class B operation (for high efficiency driving large signals) with class AB operation (to minimize crossover distortion).

The receive channel is designed around a fourth-order delta sigma A/D converter. It includes a difference amplifier designed to be used with an external compromise hybrid for first order analog echo cancellation. A programmable gain amplifier with gains of 0dB to +12dB is also included. The delta sigma modulator operating at a 24X oversampling ratio produces a 14-bit output at rates up to 584kHz (1.168Mbps). The receive channel operates by summing the two differential inputs, one from the line (rxLINE) and the other from the

compromise hybrid (rxHYB). The connection of these two inputs so that the hybrid signal is subtracted from the line signal is described in the paragraph titled "Echo Cancellation in the AFE". The equivalent gain for each input in the difference amp is one. The resulting signal then passes to a programmable gain amplifier which can be set for gains of 0dB through +12dB. Following the PGA, the ADC converts the signal to a 14-bit digital word.

The serial interface consists of three wires for transmit and three wires for receive. The three wire transmit interface is transmit baud rate clock, transmit 48x oversampling clock and Data Out. The three wire receive interface is receive baud rate clock, receive 48x oversampling clock and Data In. The transmit and receive clocks are supplied to the AFE1144 from the DSP and are completely independent.

DIGITAL DATA INTERFACE

Data is received by the AFE1144 from the DSP on the Data In line. Data is transmitted from the AFE1144 to the DSP on the Data Out line. The paragraphs below describe the timing of these signals and data structure.

Data is transmitted and received in synchronization with the 48x transmit and receive clocks (tx48xCLK and rx48xCLK). There are 48-bit times in each baud period. Data In is

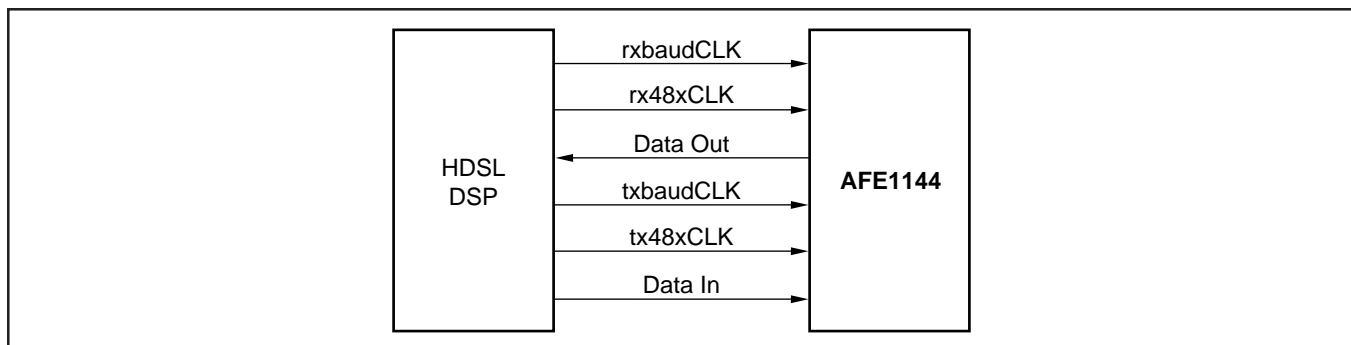


FIGURE 1. DSP Interface.

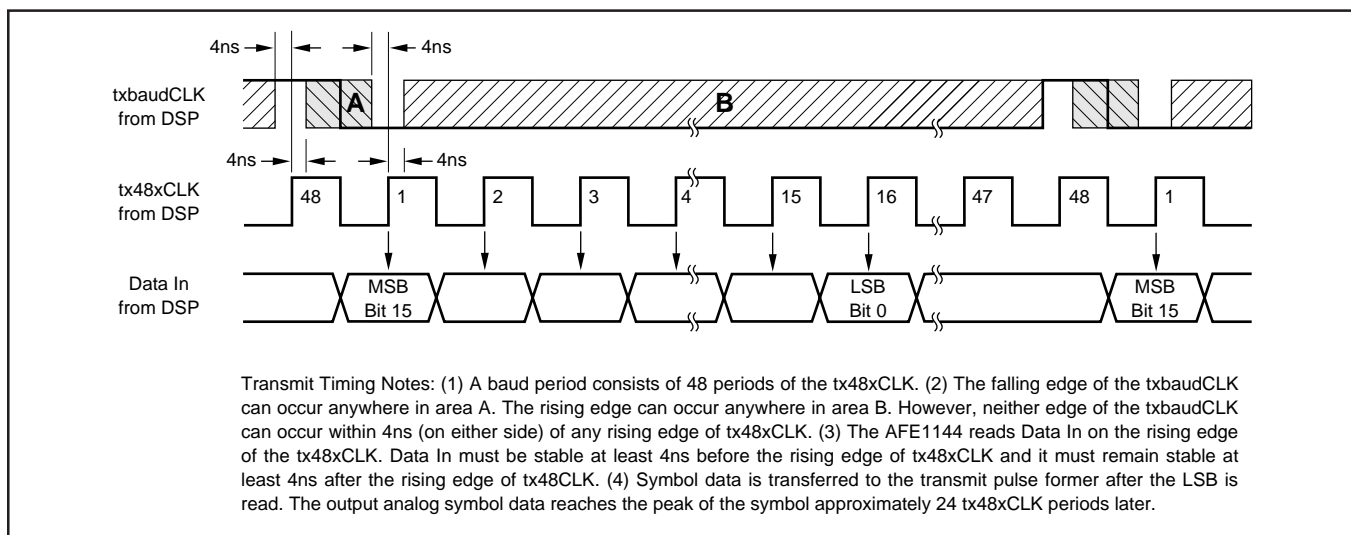


FIGURE 2. Transmit Timing Diagram.

received in the first 16 bits of each baud period. The remaining 32-bit periods are not used for Data In. Data Out is transmitted during the first 16 bits of the baud period. A second interpolated value is transmitted in subsequent bits of the baud period.

txbaudCLK: The transmit data baud rate, generated by the DSP. It is 392kHz for T1 or 584kHz for E1. It may vary from 32kHz (64kbps) to 584kHz (1.168Mbps).

tx48xCLK: The transmit pulse former oversampling sampling clock, generated by the DSP. It is 48x the transmit symbol rate or 28.032MHz for 584kHz symbol rate. This clock should run continuously.

Data In: This is a 16-bit output data word sent from the DSP to the AFE. The sixteen bits include tx symbol information and other control bits, as described below. The data should be clocked out of the DSP on the falling edge and it should

be valid on the rising edge of the tx48xCLK. The AFE1144 reads Data In on the rising edge of the tx48xCLK. The bits are defined in Table I. Data In is read by the AFE1144 during the first 16 bits periods of each baud period. Only the first 8 bits are used in the AFE1144. The second 8 bits are reserved for use in the future products. The remaining 32 bits periods of the baud period are not used for Data In.

Data In Bits:

tx enable signal—This bit controls the tx Symbol definition bits. If this bit is 0, only a 0 symbol is transmitted regardless of the state of the tx Symbol definition bits. If this bit is 1, the tx Symbol definition bits determine the output symbol.

tx Symbol Definition—These two bits determine the output 2B1Q symbol transmitted.

Rx Gain Settings—These bits set the gain of the receive channel programmable gain amplifier.

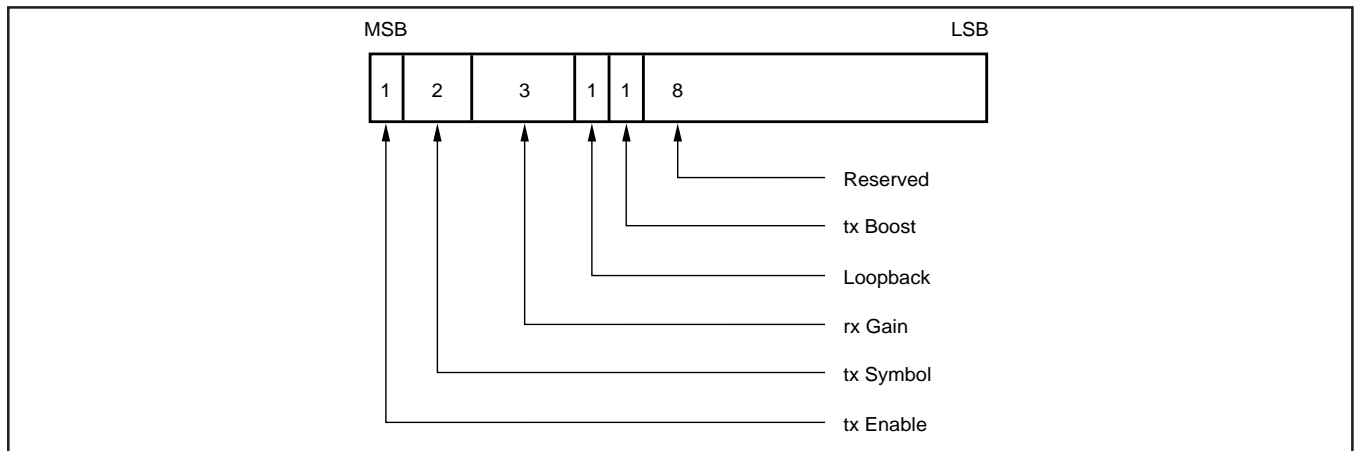


FIGURE 3. Data In Word.

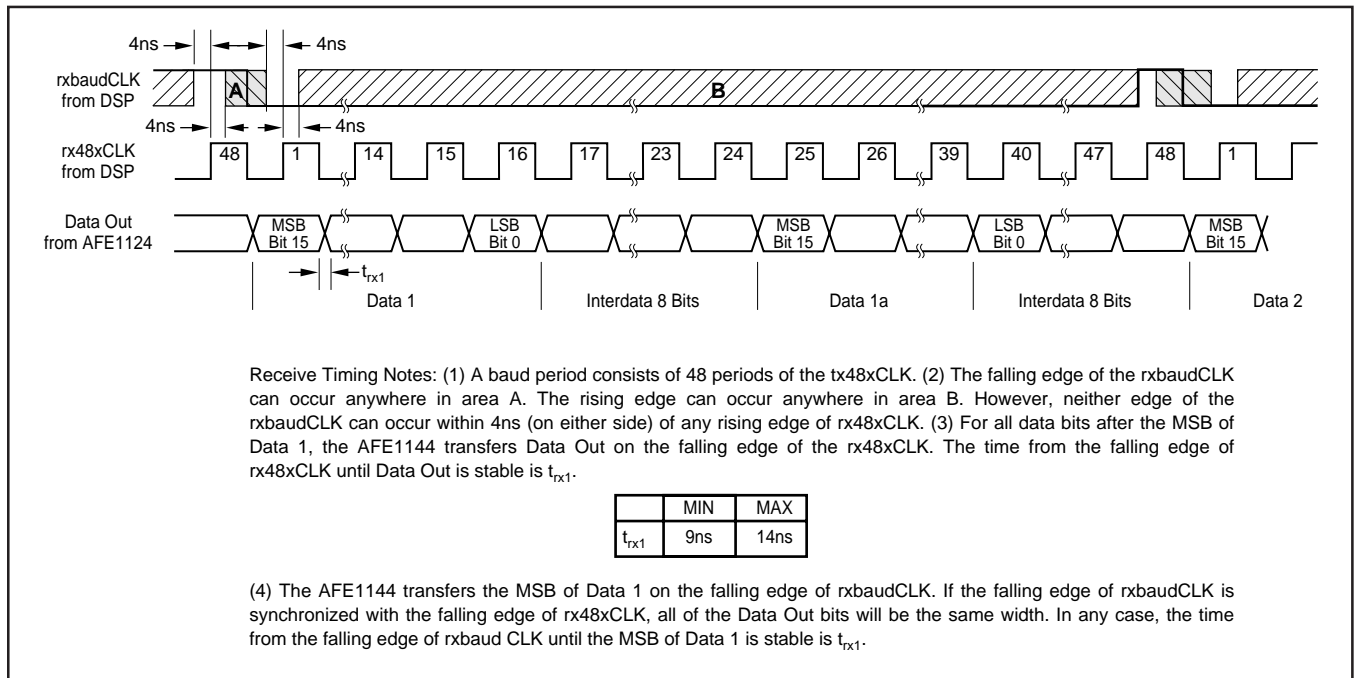


FIGURE 4. Receive Timing Diagram.

Loopback Control—This bit controls the operation of loopback. When enabled (logic 1), the rxLINE+ and rxline- inputs are disconnected from the AFE. The rxHYB+ and rxHYB- inputs remain connected. When disabled, the rxLINE+ and rxLINE- inputs are connected.

txBoost—This bit controls the addition of 0.5dB additional power to the output line driver.

| BIT | DESCRIPTION | BIT STATE | OUTPUT STATE |
|-----------|----------------------|-----------|--|
| 15 (MSB) | tx Enable Signal | 0 | AFE Transmits a 0 Symbol |
| | | 1 | AFE Transmits HDSL Symbol as defined by bits 14 and 13 |
| 14 and 13 | tx Symbol Definition | 00 | -3 Transmit Symbol |
| | | 01 | -1 Transmit Symbol |
| | | 11 | +1 Transmit Symbol |
| | | 10 | +3 Transmit Symbol |
| 12 - 10 | rx Gain Settings | 000 | rx gain in AFE 0dB |
| | | 001 | rx gain in AFE 3dB |
| | | 010 | rx gain in AFE 6dB |
| | | 011 | rx gain in AFE 9dB |
| | | 100 | rx gain in AFE 12dB |
| | | 101 | rx gain in AFE Reserved |
| | | 110 | rx gain in AFE Reserved |
| | | 111 | rx gain in AFE Reserved |
| 9 | Loopback Control | 1 | Loopback Mode |
| | | 0 | Normal Operation |
| 8 | tx Boost | 0 | Normal Transmit Power |
| | | 1 | +0.5dB Transmit Power Boost |
| 7 - 0 | SPARE | | NA |

TABLE I. Data In.

rxbaudCLK: This is the receive data baud rate (symbol clock), generated by the DSP. It is 392kHz for T1 or 584kHz for E1. It can vary from 32kHz (64kbps) to 584kHz (1.168Mbps).

rx48xCLK: This is the A/D converter over-sampling clock, generated by the DSP. It is 48x the receive symbol rate or 28.032MHz for 584kHz symbol rate. This clock should run continuously.

Data Out: This is the 14-bit A/D converter output data (+2 spare bits) sent from the AFE to the DSP. The 14 bits from the A/D Converter will be the upper bits of the 16-bit word (bits 15-2). The spare bits (1 and 0) will be always be low. Eight additional (interdata) bits follow which are always high. The data is clocked out on the falling edge of rx48xCLK. The bandwidth of the A/D converter decimation filter is equal to one half of the symbol rate. The nominal output rate of the A/D converter is one conversion per symbol period. For more flexible post processing, there is a second interpolated A/D conversion available in each symbol period. In Figure 4, the first conversion is shown as Data 1 and the second conversion is shown as Data 1a. It is suggested that rxbaudCLK is used with the rx48xCLK to read Data 1 while Data 1a is ignored. However, either or both outputs may be used for more flexible post-processing.

DATA OUT PER SYMBOL PERIOD

| DATA | BITS |
|--------------------------|------|
| Data 1 | 16 |
| Interdata Bits | 8 |
| Data 1a | 16 |
| Interdata bits | 8 |
| Total Bits/Symbol Period | 48 |

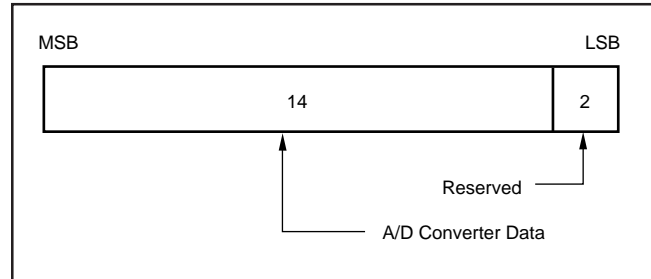


FIGURE 5. Data Out Word.

ANALOG-TO-DIGITAL CONVERTER DATA

The A/D converter data from the receive channel is coded in twos complement.

| ANALOG INPUT | A/D CONVERTER DATA | |
|---------------------|--------------------|-----|
| | MSB | LSB |
| Positive Full Scale | 01111111111111 | |
| Mid Scale | 00000000000000 | |
| Negative Full Scale | 10000000000000 | |

ECHO CANCELLATION IN THE AFE

The rxHYB input is subtracted from the rxLINE input for first order echo cancellation. For correct operation, be certain that the rxLINE input is connected to the same polarity signal at the transformer (+ to + and - to -) while the rxHYB input is connected to opposite polarity through the compromise hybrid (- to + and + to -) as shown in the Basic Connection Diagram.

SCALABLE TIMING

The AFE1144 scales operation with the clock frequency. All internal filters and the pulse former change frequency with the clock speed so that the unit can be used at different frequencies just by changing the clock speed.

For the receive channel, the digital filtering of the delta sigma converter scales directly with the clock speed. The bandwidth of the converter's decimation filter is always one-half of the symbol rate. The only receive channel issue in changing baud rate is the passive single pole anti-alias filter (see the following section). For systems implementing a broad range of speeds, selectable cutoff frequencies for the passive anti-alias filter should be used.

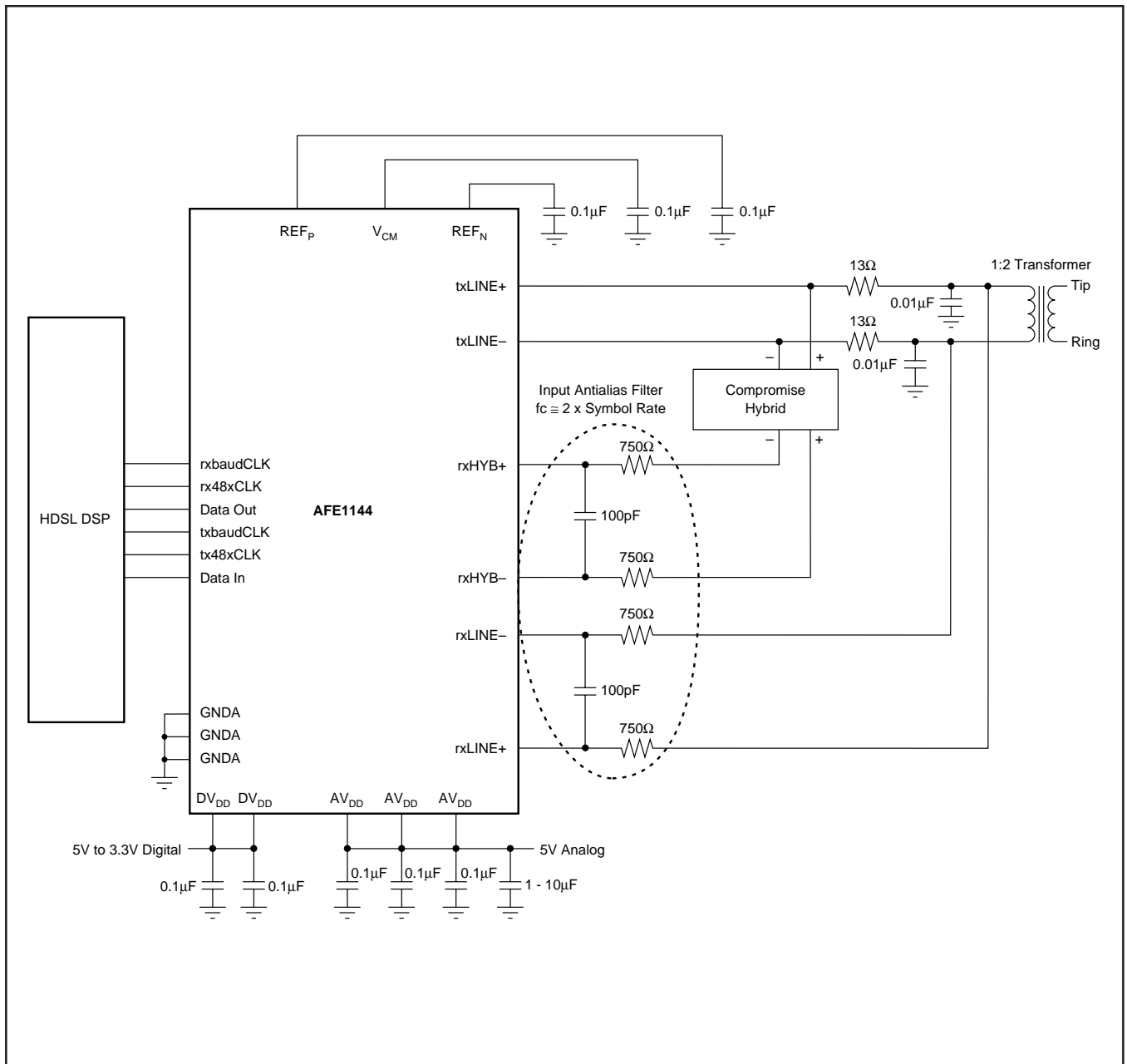


FIGURE 6. Basic Connection Diagram.

For the transmit channel, the pulse shape and the power spectral density scale directly with the clock rate. The power spectral density shown in Curve 1 and the pulse template shown in Curve 2 are measured at the output of the transformer. The transformer and the RC circuit on the output provide some smoothing for the output transmission. At lower bit rates, the amount of smoothing will be less.

RXHYB AND RXLINE INPUT ANTI-ALIASING FILTERS

An external input anti-aliasing filter is needed on the hybrid and line inputs as shown in the Basic Connection Diagram above. The -3dB frequency of the input anti-aliasing filter

for the rxLINE and rxHYB differential inputs should be approximately 1MHz for T1 and E1 symbol rates. Suggested values for the filter are 750Ω for each of the two input resistors and 100pF for the capacitor. Together the two 750Ω resistors and the 100pF capacitor result in a 3dB frequency of just over 1MHz . The 750Ω input resistors will result in minimal voltage divider loss with the input impedance of the AFE1144.

The anti-aliasing filters will give best performance with 3dB frequency approximately equal to the bit rate. For instance, a 3dB frequency of 320kHz may be used for a single line bit rate of 320k bits per second.

DISCUSSION OF SPECIFICATIONS

UNCANCELLED ECHO

A key measure of transceiver performance is uncanceled echo. Uncanceled echo is the summation of all of the errors in the transmit and receive paths of the AFE1144. It includes effects of linearity, distortion and noise. Uncanceled echo is tested in production by Burr-Brown with a circuit that is similar to the one shown in Figure 7, Uncanceled Echo Test Diagram.

The measurement of uncanceled echo is made as follows.

The AFE is connected to an output circuit including a typical 1:2 line transformer. The line is simulated by a 135Ω resistor. Symbol sequences are generated by the tester and applied both to the AFE and to the input of an adaptive filter. The output of the adaptive filter is subtracted from the AFE output to form the uncanceled echo signal. Once the filter taps have converged, the RMS value of the uncanceled echo is calculated. Since there is no far-end signal source or additive line noise, the uncanceled echo contains only noise and linearity errors generated in the transmit and receive sections of the AFE1144.

The data sheet value for uncanceled echo is the ratio of the RMS uncanceled echo (referred to the receiver input through the receiver gain) to the nominal transmitted signal (13.5dBm into 135Ω, or 1.74Vrms). This echo value is measured under a variety of conditions: with loopback enabled (line input disconnected); with loopback disabled under all receiver gain ranges; and with the line shorted (S₁ closed in Figure 7).

POWER DISSIPATION

Approximately 80% of the power dissipation in the AFE1144 is in the analog circuitry, and this component does not change with clock frequency. However, the power dissipation in the digital circuitry does decrease with lower clock frequency. In addition, the power dissipation in the digital section is decreased when operating from a smaller supply voltage, such as 3.3V. (The analog supply, AV_{DD}, must remain in the range 4.75V to 5.25V).

The power dissipation listed in the specifications section applies under these normal operating conditions: 5V Analog Power Supply; 3.3V Digital Power Supply; standard 13.5dBm delivered to the line; and a pseudorandom equiprobable sequence of HDSL output pulses. The power dissipation specifications includes all power dissipated in the AFE1144, it does not include power dissipated in the external load. The external power is 16.5dBm: 13.5dBm to the line and 13.5dBm to the impedance matching resistors. The external load power of 16.5dBm is 45mW. The typical power dissipation in the AFE1144 under various conditions is shown in Table II.

The T1 and E1 power measurements in the Specifications are made with the output circuit shown in Figure 7. This

| BIT RATE PER AFE1144 (Symbols/sec) | DVDD (V) | TYPICAL POWER DISSIPATION IN THE AFE1144 (mW) |
|------------------------------------|----------|---|
| 584 (E1) | 3.3 | 250 |
| 584 (E1) | 5 | 300 |
| 392 (T1) | 3.3 | 240 |
| 392 (T1) | 5 | 270 |
| 146 (E1/4) | 3.3 | 230 |
| 146 (E1/4) | 5 | 245 |

TABLE II. Typical Power Dissipation.

circuit uses a 1:2 transformer. The power measurements shown in Table II use an equivalent resistive load instead of the transformer to eliminate frequency dependent impedances of the transformer.

LAYOUT

The analog front end of an HDSL system has two conflicting requirements. It must accept and deliver moderately high rate digital signals and it must generate, drive, and convert precision analog signals. To achieve optimal system performance with the AFE1144, both the digital and the analog sections must be treated carefully in board layout design.

The power supply for the digital section of the AFE1144 can range from 3.3V to 5V. This supply should be decoupled to digital ground with ceramic 0.1μF capacitors placed as close to DGND and DV_{DD} as possible. One capacitor should be placed between pins 3 and 4 and the second capacitor between pins 11 and 12. Ideally, both a digital power supply plane and a digital ground plane should run up to and underneath the digital pins of the AFE1144 (pins 5 through 10). However, DV_{DD} may be supplied by a wide printed circuit board (PCB) trace. A digital ground plane underneath all digital pins is strongly recommended.

The remaining portion of the AFE1144 should be considered analog. All AGND pins should be connected directly to a common analog ground plane and all AV_{DD} pins should be connected to an analog 5V power plane. Both of these planes should have a low impedance path to the power supply. The analog power supply pins should be decoupled to analog ground with ceramic 0.1μF capacitors placed as close to the AFE1144 as possible. One 10μF tantalum capacitor should also be used with each AFE1144 between the analog supply and analog ground.

Ideally, all ground planes and traces and all power planes and traces should return to the power supply connector before being connected together (if necessary). Each ground and power pair should be routed over each other, should not overlap any portion of another pair, and the pairs should be separated by a distance of at least 0.25 inch (6mm). One exception is that the digital and analog ground planes should be connected together underneath the AFE1144 by a small trace.

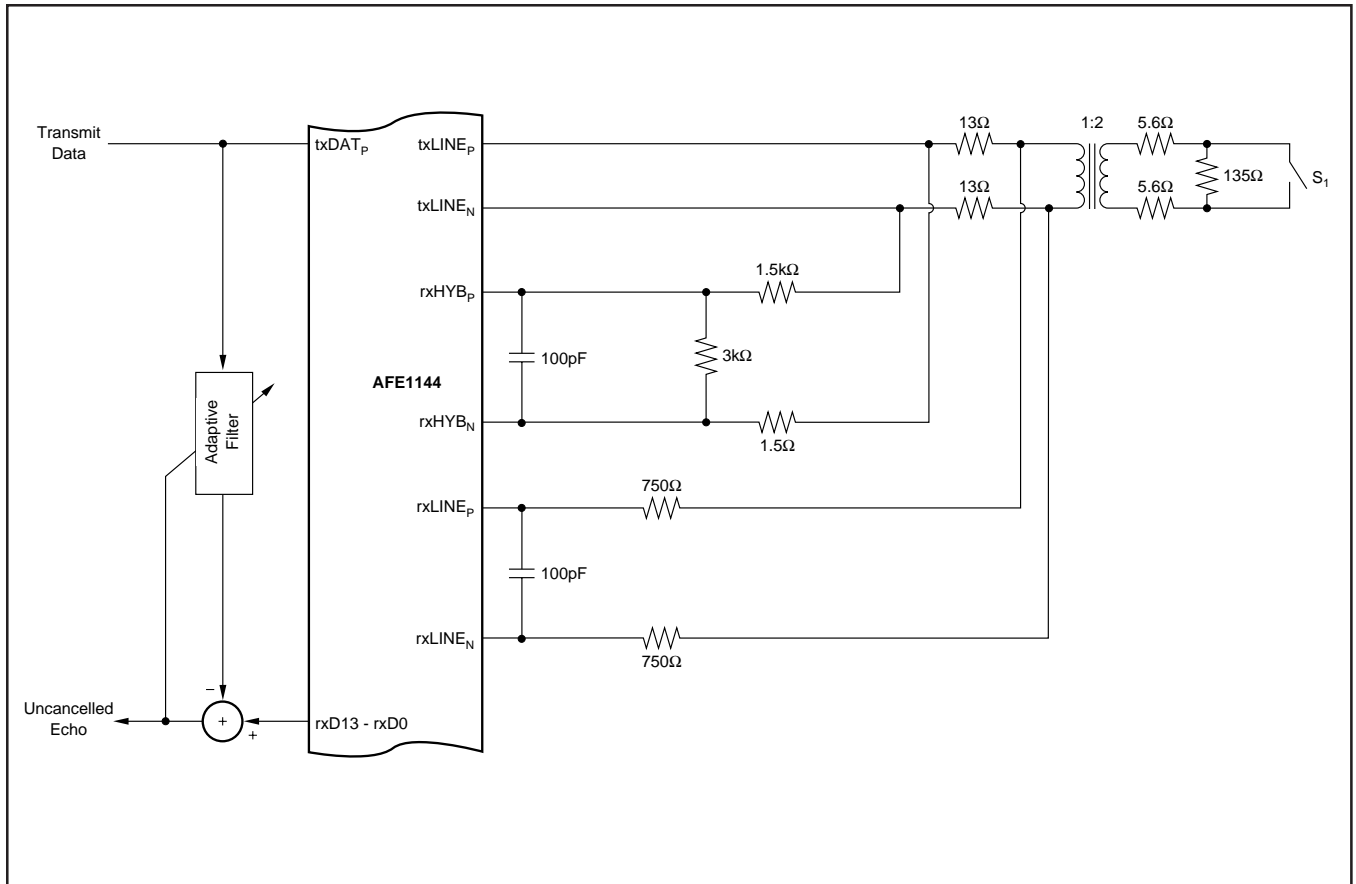


FIGURE 7. Uncancelled Echo Test Diagram.

PACKAGING INFORMATION

| ORDERABLE DEVICE | STATUS(1) | PACKAGE TYPE | PACKAGE DRAWING | PINS | PACKAGE QTY |
|------------------|-----------|--------------|-----------------|------|-------------|
| AFE1144E | ACTIVE | SSOP | DB | 28 | 48 |
| AFE1144E/1K | ACTIVE | SSOP | DB | 28 | 1000 |

(1) The marketing status values are defined as follows:

ACTIVE: Product device recommended for new designs.

LIFEBUY: TI has announced that the device will be discontinued, and a lifetime-buy period is in effect.

NRND: Not recommended for new designs. Device is in production to support existing customers, but TI does not recommend using this part in a new design.

PREVIEW: Device has been announced but is not in production. Samples may or may not be available.

OBSOLETE: TI has discontinued the production of the device.

IMPORTANT NOTICE

Texas Instruments Incorporated and its subsidiaries (TI) reserve the right to make corrections, modifications, enhancements, improvements, and other changes to its products and services at any time and to discontinue any product or service without notice. Customers should obtain the latest relevant information before placing orders and should verify that such information is current and complete. All products are sold subject to TI's terms and conditions of sale supplied at the time of order acknowledgment.

TI warrants performance of its hardware products to the specifications applicable at the time of sale in accordance with TI's standard warranty. Testing and other quality control techniques are used to the extent TI deems necessary to support this warranty. Except where mandated by government requirements, testing of all parameters of each product is not necessarily performed.

TI assumes no liability for applications assistance or customer product design. Customers are responsible for their products and applications using TI components. To minimize the risks associated with customer products and applications, customers should provide adequate design and operating safeguards.

TI does not warrant or represent that any license, either express or implied, is granted under any TI patent right, copyright, mask work right, or other TI intellectual property right relating to any combination, machine, or process in which TI products or services are used. Information published by TI regarding third-party products or services does not constitute a license from TI to use such products or services or a warranty or endorsement thereof. Use of such information may require a license from a third party under the patents or other intellectual property of the third party, or a license from TI under the patents or other intellectual property of TI.

Reproduction of information in TI data books or data sheets is permissible only if reproduction is without alteration and is accompanied by all associated warranties, conditions, limitations, and notices. Reproduction of this information with alteration is an unfair and deceptive business practice. TI is not responsible or liable for such altered documentation.

Resale of TI products or services with statements different from or beyond the parameters stated by TI for that product or service voids all express and any implied warranties for the associated TI product or service and is an unfair and deceptive business practice. TI is not responsible or liable for any such statements.

Following are URLs where you can obtain information on other Texas Instruments products and application solutions:

| Products | | Applications | |
|------------------|--|---------------------|--|
| Amplifiers | amplifier.ti.com | Audio | www.ti.com/audio |
| Data Converters | dataconverter.ti.com | Automotive | www.ti.com/automotive |
| DSP | dsp.ti.com | Broadband | www.ti.com/broadband |
| Interface | interface.ti.com | Digital Control | www.ti.com/digitalcontrol |
| Logic | logic.ti.com | Military | www.ti.com/military |
| Power Mgmt | power.ti.com | Optical Networking | www.ti.com/opticalnetwork |
| Microcontrollers | microcontroller.ti.com | Security | www.ti.com/security |
| | | Telephony | www.ti.com/telephony |
| | | Video & Imaging | www.ti.com/video |
| | | Wireless | www.ti.com/wireless |

Mailing Address: Texas Instruments
Post Office Box 655303 Dallas, Texas 75265

Copyright © 2003, Texas Instruments Incorporated