



PCN# : P57SAAB
Issue Date : Aug. 07, 2015

Information Only Notification

This is to inform you that a change is being made to the following products.

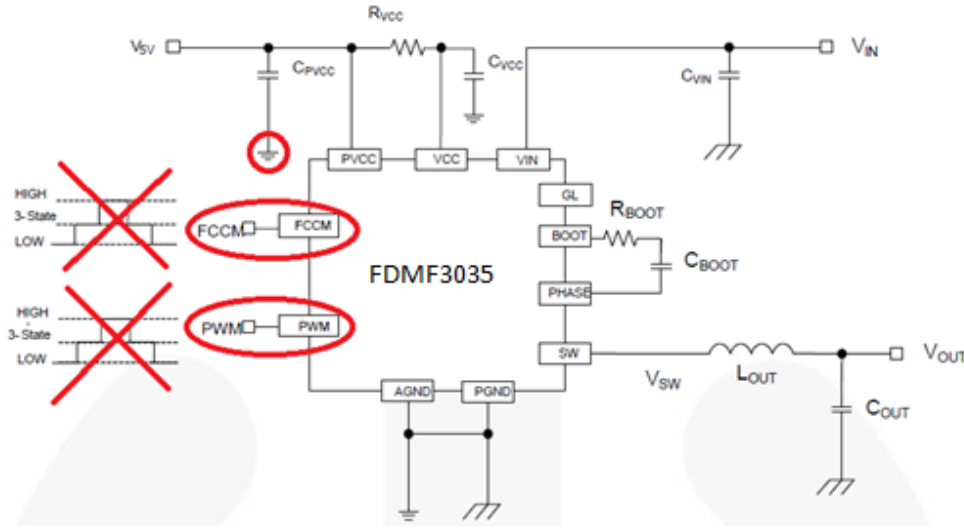
This is a minor change that has no impact on product quality, reliability, electrical or mechanical performance. Affected products will remain fully compliant to all published specifications. Notification is being made for informational purposes only and there is no approval required. Products incorporating this change may be shipped interchangeably with existing unchanged products on or after the issue date of this notification.

Please contact your local Customer Quality Engineer if you have any questions regarding this notification.

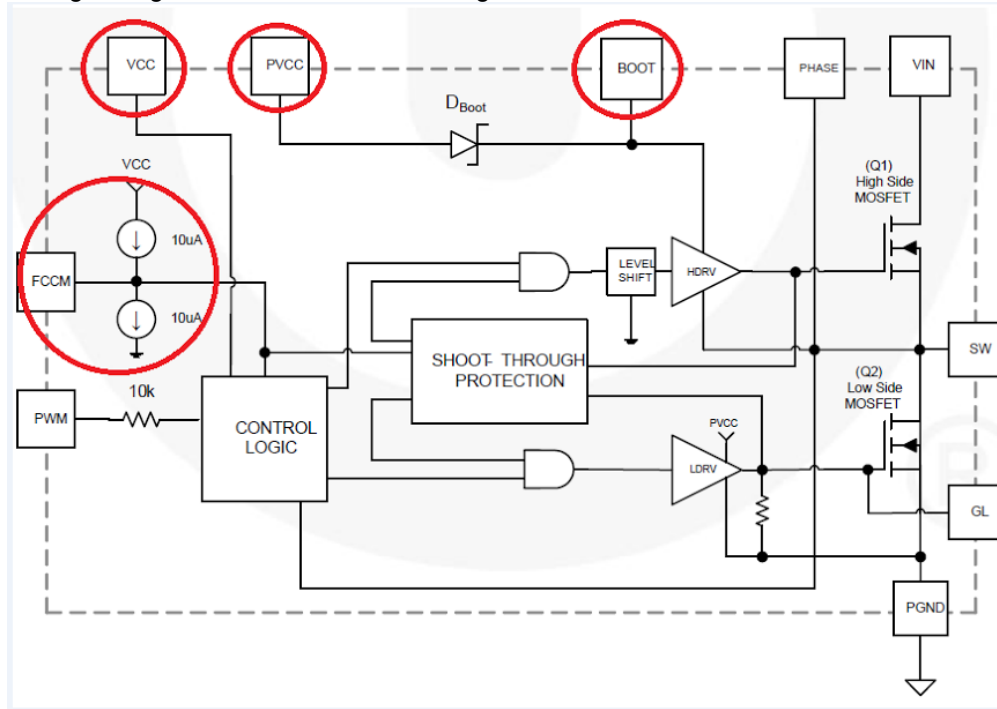
Implementation of change:

Description of Change (From) :

1. "Features" section on page 1, second bullet states "Compatible with Intersil IMVP-8 PWM Controller"
2. "Electrical Characteristics" table on page 5 - ICC_SD spec value typ. 3uA / max 10uA
3. "Features" section in page 1, bullet "Low Shutdown Current: Ivcc < 3 uA"
4. Page 2, figure 1 Typical Application Diagram

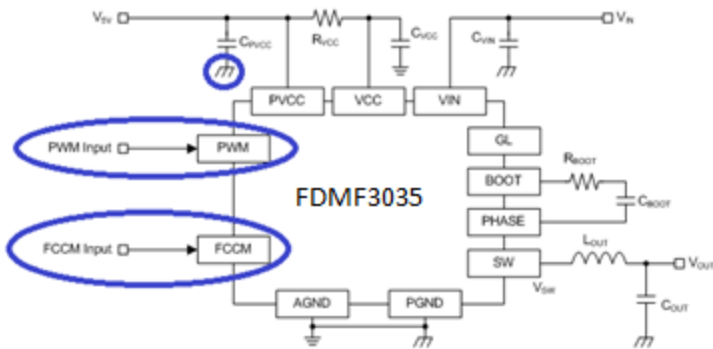


5. Page 2, figure 2 Functional Block Diagram

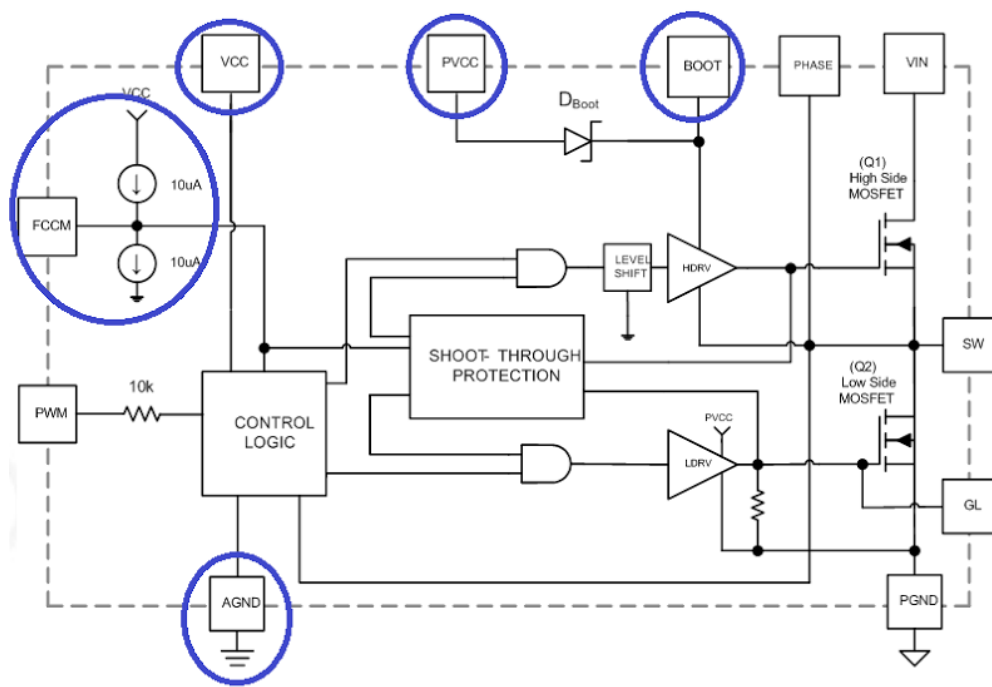


Description of Change (To) :

1. "Features" section on page 1, remove second bullet "Compatible with Intersil IMVP-8 PWM Controller"
2. "Electrical Characteristics" table on page 5 - ICC_SD spec value typ. 6uA / max. 11uA
3. "Features" section in page 1, bullet "Low Shutdown Current: Ivcc < 6 uA"
4. Page 2, figure 1 Typical Application Diagram updated to replace AGND symbol on Cpvcc and the PGND symbol, swap PWM and FCCM pin locations and removed FCCM & PWM signal drawing examples.



5. Page 2, figure 2 Functional Block Diagram updated for AGND pin and symbol added, VCC, PVCC, BOOT, and FCCM pin locations are adjusted.



Reason for Change:

This is a datasheet change only

1. In features section on page 1, the description of "Compatible with Intersil IMVP-8 PWM Controller" is removed due to repeated feature description with 1st sentence.
2. The ICC-SD spec. value is updated based on char. test data.
3. The Ivcc spec value is updated based on char test data
4. and 5. - Figure 1 and figure 2 diagrams are being updated for format and reflect Gnd references correctly.

Affected Product(s): Please refer to the list of affected products in the addendum attached in the PCN email you received. This list is based on an analysis of your company's procurement history.

Appendix A: Changed Products

DIGI-KEY CONSIGNMENT : DIGI-KEY C

PCN Number : P57SAAB

Customer Name : DIGI-KEY CONSIGNMENT

Product	Customer Part Number	BBB	Drawing
FDMF3035		Y	N

Appendix A: Changed Products

DIGI-KEY CONSIGNMENT : DIGI-KEY C

PCN Number : P57SAAB

Customer Name : DIGI-KEY CONSIGNMENT

Product	Customer Part Number	BBB	Drawing
FDMF3035		Y	N