

Würth Elektronik eiSos GmbH & Co. KG

EMC & Inductive Solutions

Max-Eyth-Straße 1 · 74638 Waldenburg · Germany

Tel. +49 (0) 79 42 945-0 · Fax +49 (0) 79 42 945-400

eiSos@we-online.de · www.we-online.de



Product/Process Change Notice (PCN)

- Major change
 Minor change

PCN #: WE_HCF_20171003

Product Affected: WE-HCF sizes 2818

PCN Date: July, 3rd 2017

Effective Date: October, 3rd 2017

Contact: Product Management

Phone: +49 (0) 7942 - 945 5001

Fax: +49 (0) 7942 - 945 5179

E-mail: pcn.eisos@we-online.de

- Product Mark
 Date Code
 Packaging
 Others

Attachment: Yes No

Samples:

DESCRIPTION AND PURPOSE OF CHANGE:

Due to an improvement of the production capability, Würth Elektronik will change some mechanical parameters and associated tolerances. This is related to a partial automation of the production process which leads to an accuracy improvement.

The following part numbers will be affected by this change:

HCF-2818

7443640330
7443640470
7443640680
7443641000
7443641500
7443642200
7443643300

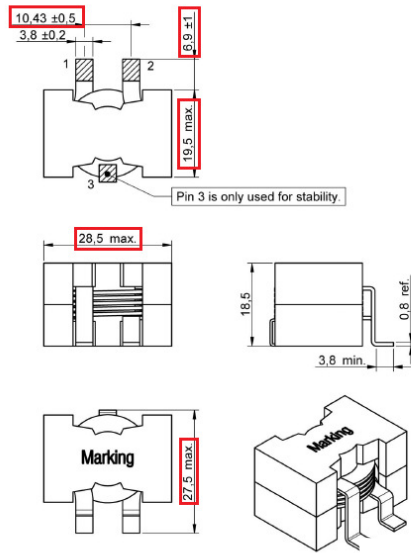
Products after product change with effective date of October, 3rd 2017 are available with Date Code 2017-10-03

There will be no change in form, quality or reliability of the product.

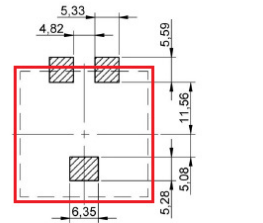
DETAIL OF CHANGE:

BEFORE

A Dimensions: [mm]



B Recommended land pattern: [mm]



Scale - 1:1

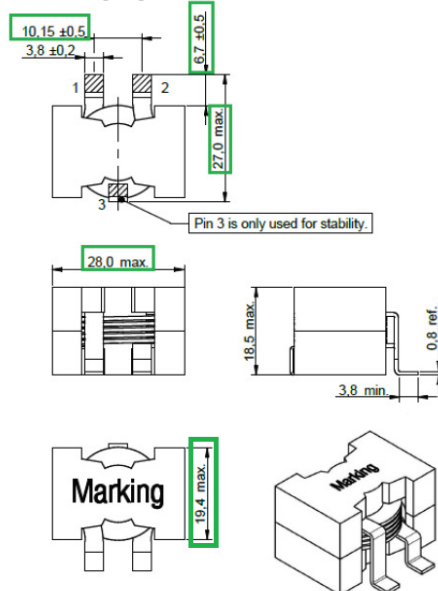
C Schematic:



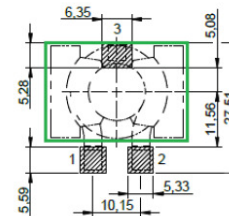
Scale - 1:1

AFTER

Dimensions: [mm]



Recommended Land Pattern: [mm]



Schematic:



Würth Elektronik eiSos GmbH & Co. KG

EMC & Inductive Solutions

Max-Eyth-Straße 1 · 74638 Waldenburg · Germany

Tel. +49 (0) 79 42 945-0 · Fax +49 (0) 79 42 945-400

eiSos@we-online.de · www.we-online.de



RELIABILITY / QUALIFICATION SUMMARY:

Product approval is according to the specification and is internally released by the Product Management Department.

DATA SHEET CHANGE:

Yes

No