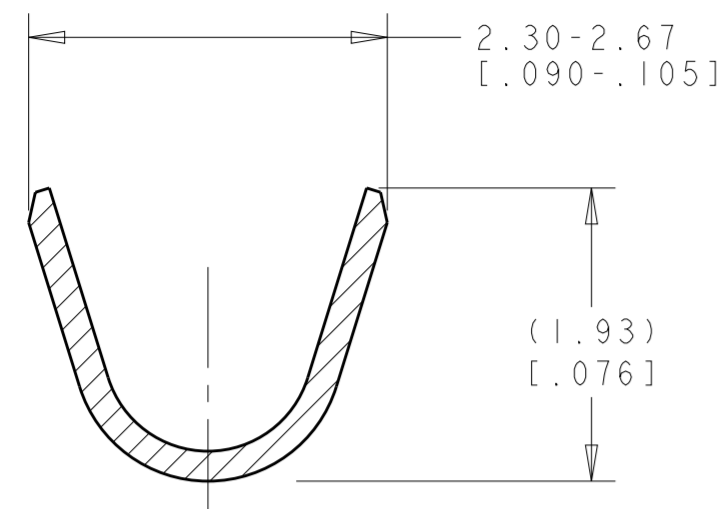
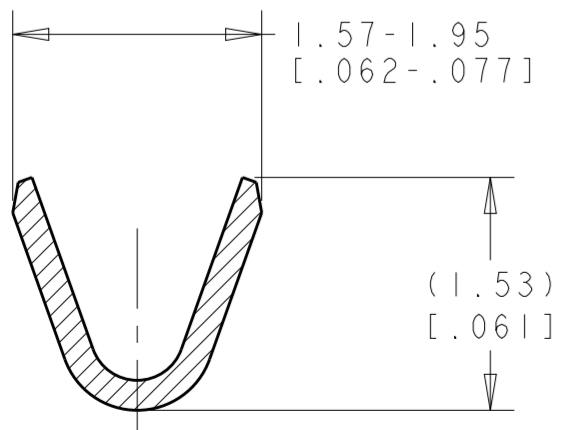
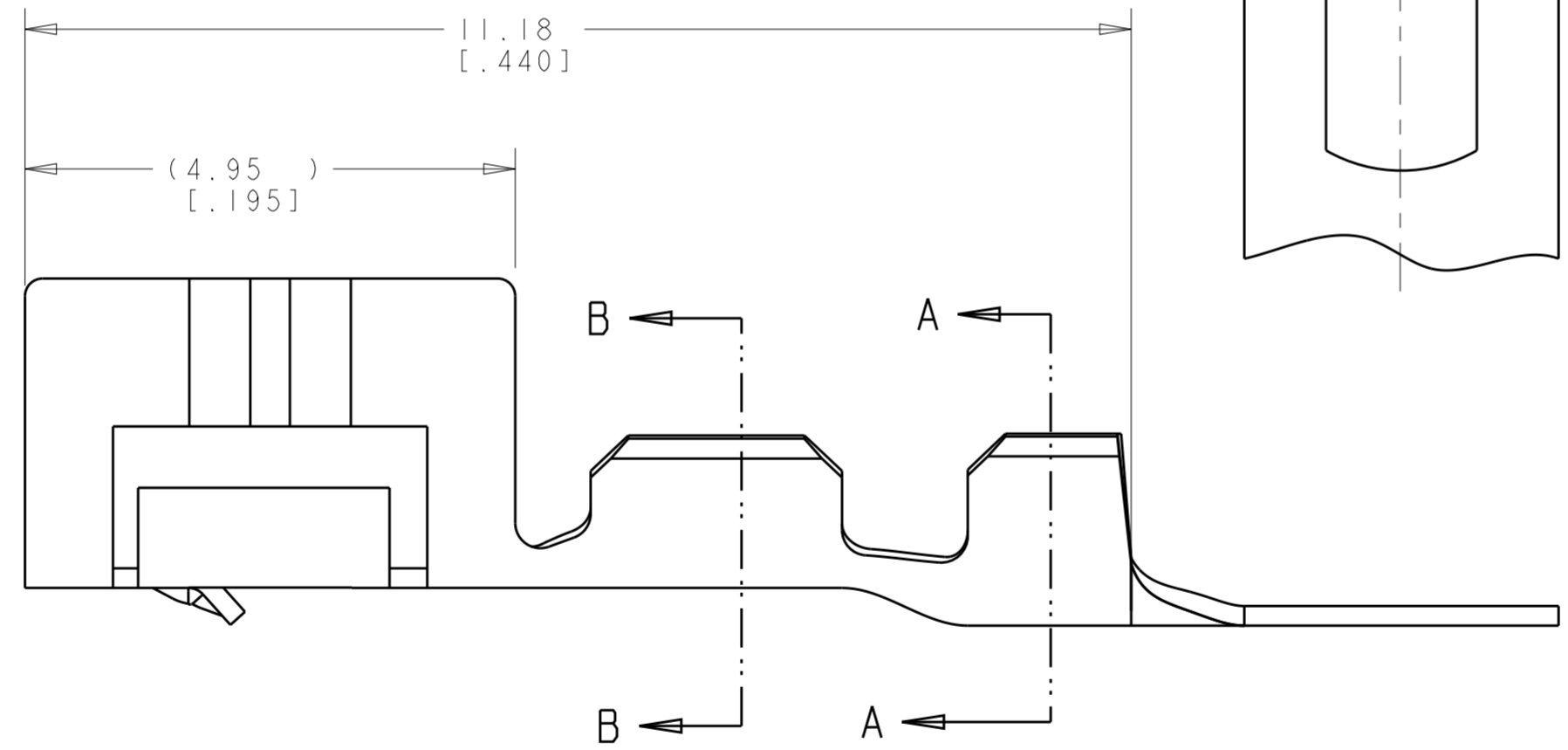
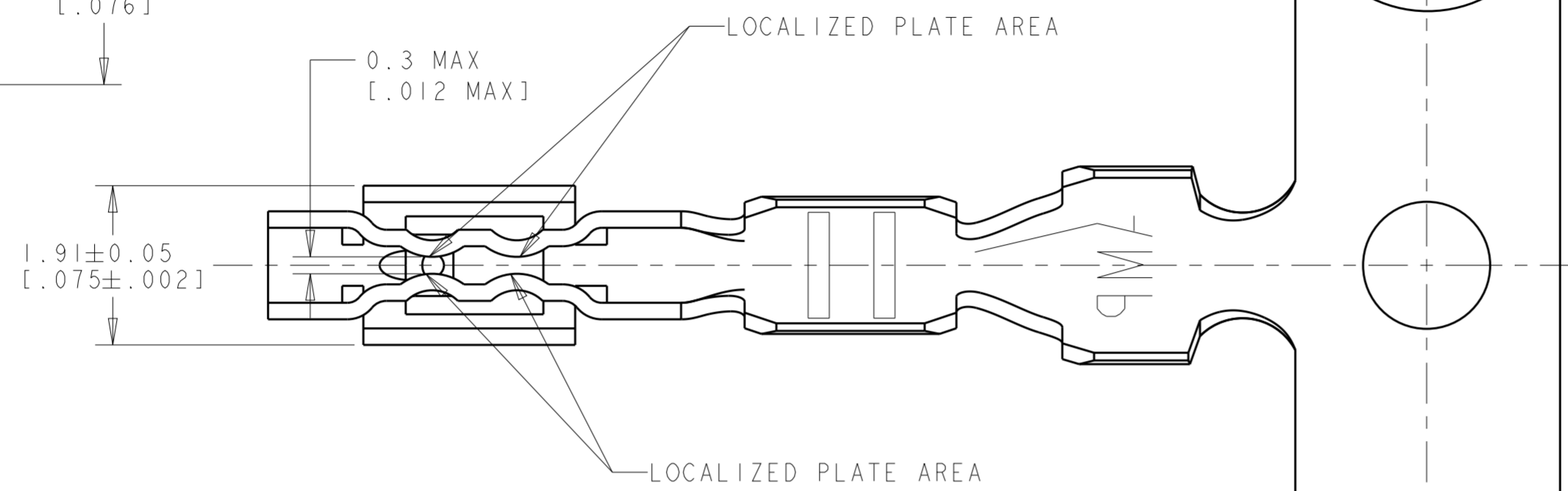


THIS DRAWING IS UNPUBLISHED. RELEASED FOR PUBLICATION 20  
 © COPYRIGHT 20 BY - ALL RIGHTS RESERVED.

LOC	DIST	REVISIONS					
GP	00	P	LTR	DESCRIPTION	DATE	DWN	APVD
		B1		REVISED PER ECO-11-004835	11MAR2011	RK	HMR
		B2		REVISED PER ECR-20-100316	12AUG2020	PJ	VS



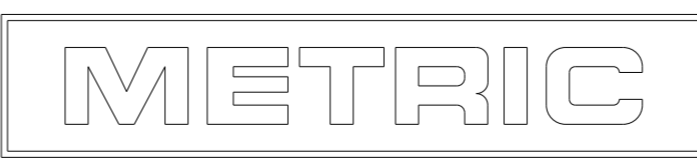
SECTION A-A  
SCALE 20:1



SECTION B-B  
SCALE 20:1

- WIRE RANGE .13 - .35 mm<sup>2</sup> (26 -22 AWG).
- INSULATION RANGE 0.89 - 1.65 [.035 - .065].
- 0.00038 [.000015] MIN GOLD STRIPE IN LOCALIZED AREA OVER 0.00127 [.000050] MIN NICKEL OVER ENTIRE CONTACT -OR- GOLD FLASH OVER PALLADIUM-NICKEL .00038 [.000015] MIN TOTAL IN LOCALIZED AREA OVER .00127 [.000050] MIN NICKEL OVER ENTIRE CONTACT.
- 0.00076 [.000030] MIN GOLD STRIPE IN LOCALIZED AREA OVER 0.000127 [.000050] MIN NICKEL OVER ENTIRE CONTACT -OR- GOLD FLASH OVER PALLADIUM-NICKEL .00076 [.000030] MIN TOTAL IN LOCALIZED AREA OVER .00127 [.000050] MIN NICKEL OVER ENTIRE CONTACT.
- NOT FOR USE IN HOUSING PART NUMBER 770602.
- CONTACTS COATED WITH ANTI-FRETTING LUBRICANT.

4	PH BRZ	1375819-3
3	PH BRZ	1375819-2
PRE-TIN	PH BRZ	1375819-1
FINISH	MATERIAL	PART NUMBER



THIS DRAWING IS A CONTROLLED DOCUMENT.

DIMENSIONS: mm [INCHES]	TOLERANCES UNLESS OTHERWISE SPECIFIED:	DWN: 21-JUNE-2001 K. WHITAKER	TE Connectivity CONTACT, CST 100 11
0 PLC ±	1 PLC ±	CHK: 21-JUNE-2001 J. ELLIS	
2 PLC ±0.13 [.005]	3 PLC ±	APVD: 21-JUNE-2001 J. ELLIS	
4 PLC ±	ANGLES ±	PRODUCT SPEC: 108-1948	
MATERIAL: SEE TABLE	FINISH: SEE TABLE	APPLICATION SPEC: 114-13036	RESTRICTED TO: A200779C-1375819
CUSTOMER DRAWING		WEIGHT: -	SCALE: 15:1 SHEET 1 OF 1 REV B2