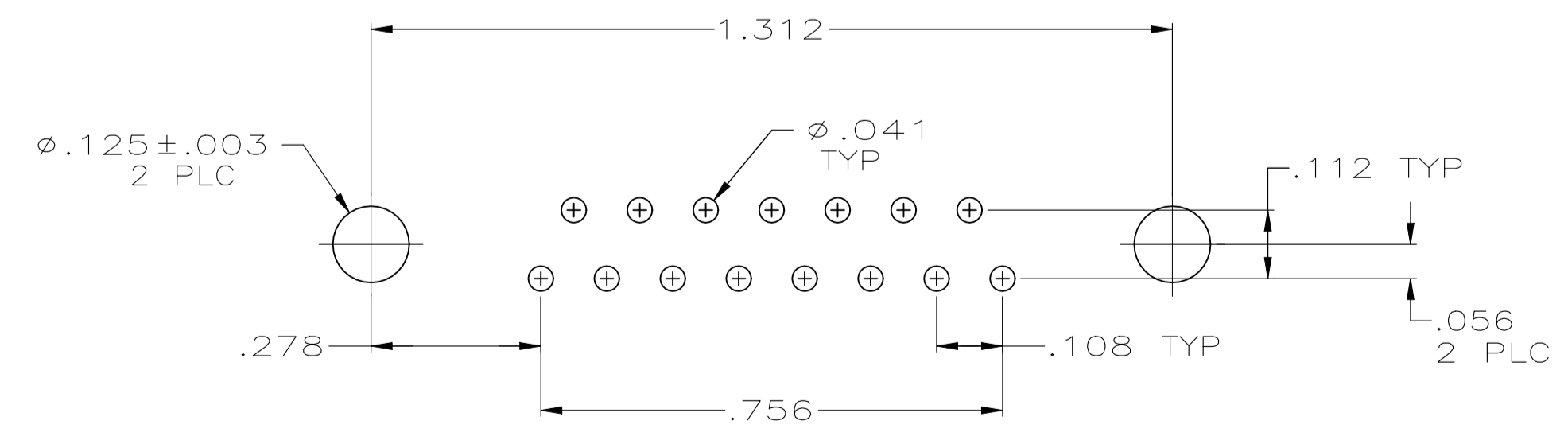
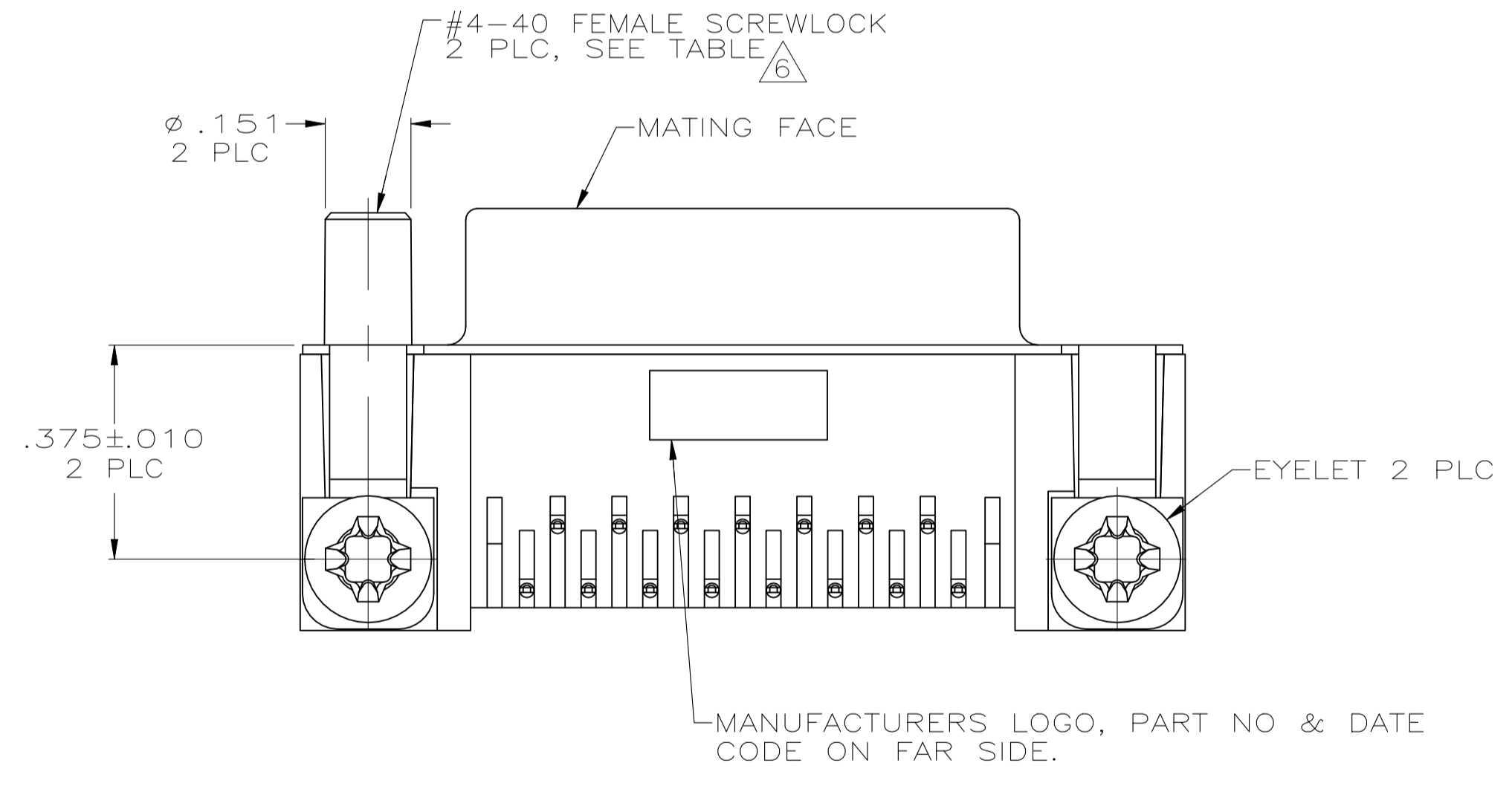
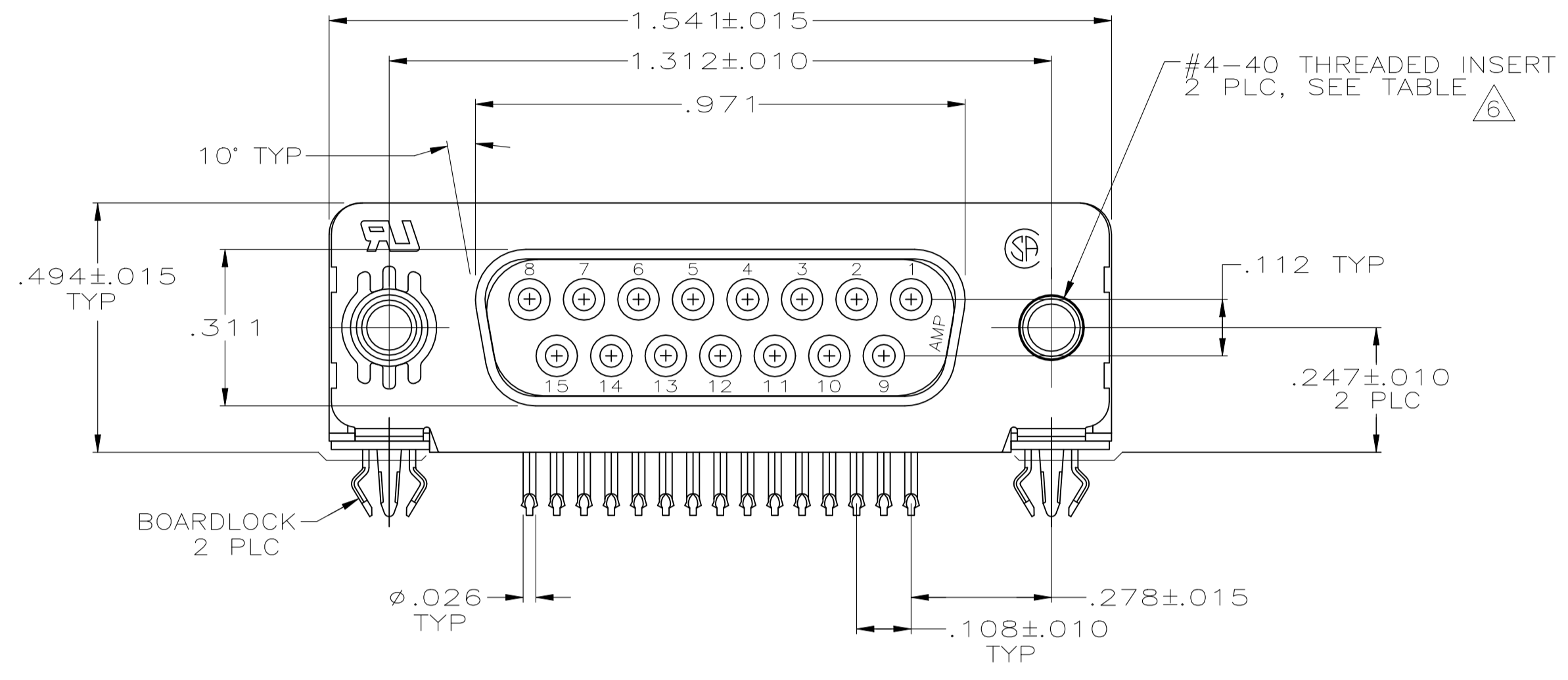


REVISIONS				
P	LTR	DESCRIPTION	DATE	BY
B		REVISED PER ECR-23-176198	11MAR11	RK HMR



PC BOARD MOUNTING DIMENSIONS

1. CONNECTOR MATES WITH ANY 25 POSN PLUG IN AMPLIMITE SERIES.
2. MOLDED PARTS: FLAME RETARDANT 94V-0 RATED THERMOPLASTIC, BLACK.
SHELL: CARBON STEEL.
CONTACTS: PHOSPHOR BRONZE.
EYELETS: BRASS.
SCREWLOCKS: ZINC.
INSERTS: ZINC.
BOARDLOCKS: COPPER ALLOY.
3. SHELL: .000100 MIN TIN OVER .000050 MIN COPPER.
CONTACTS: SEE TABLE.
EYELETS: .000100 MIN TIN OVER COPPER FLASH.
BOARDLOCKS: .000150 MIN TIN OVER .000050 MIN NICKEL.
INSERTS AND SCREWLOCKS: CLEAR CHROMATE.
4. GOLD FLASH FOR A DISTANCE OF .100 MIN FROM MATING END, .000100 MIN TIN ON TERMINATION END, ALL OVER .000050 MIN NICKEL ON ENTIRE CONTACT.
5. .000030 GOLD FOR A DISTANCE OF .100 MIN FROM MATING END, .000100 MIN TIN ON TERMINATION END, ALL OVER .000050 MIN NICKEL ON ENTIRE CONTACT.
6. SCREWLOCKS & INSERTS WILL WITHSTAND 6 IN-LBS TORQUE & 20 LBS PULL OUT FORCE FROM MATING FACE SIDE.
7. DIMENSION APPLIES FROM CENTER OF CONTACTS.
8. SPECIAL PACKAGING REQUIRED.
9. OBSOLETE PARTS: OBSOLETE CIS STREAMLINING PER D.RENAUD/D.SINISI

OBSOLETE	THREADED INSERTS	5	1-5747845-1
	FEMALE SCREWLOCKS	5	5747845-6
	FEMALE SCREWLOCKS	4	5747845-5
	THREADED INSERTS	5	5747845-4
OBSOLETE	THREADED INSERTS	4	5747845-3
	.125 DIA HOLES	5	5747845-2
MOUNTING HARDWARE		CONTACT FINISH	PART NUMBER

THIS DRAWING IS A CONTROLLED DOCUMENT.

DIMENSIONS:	TOLERANCES UNLESS OTHERWISE SPECIFIED:	DIN L. VARELA - DOCKS 04-05-05	TE Connectivity
INCHES		31-5-23	
0 PLC ± -		DS	RECEPTACLE ASSEMBLY, SIZE 2, 15 POSITION, RIGHT ANGLE
1 PLC ± -		WH	AMPLIMITE HD-20
2 PLC ± -		NAME	
3 PLC ± .005		PRODUCT SPEC	
4 PLC ± -		108-40025	
ANGLES ± °		APPLICATION SPEC	
		114-40010	
MATERIAL	FINISH	SIZE	CAGE CODE
2	3	A1	00779
CUSTOMER DRAWING		WEIGHT	0.000000
		SCALE	4:1
		SHEET	1 of 1
		REV	B