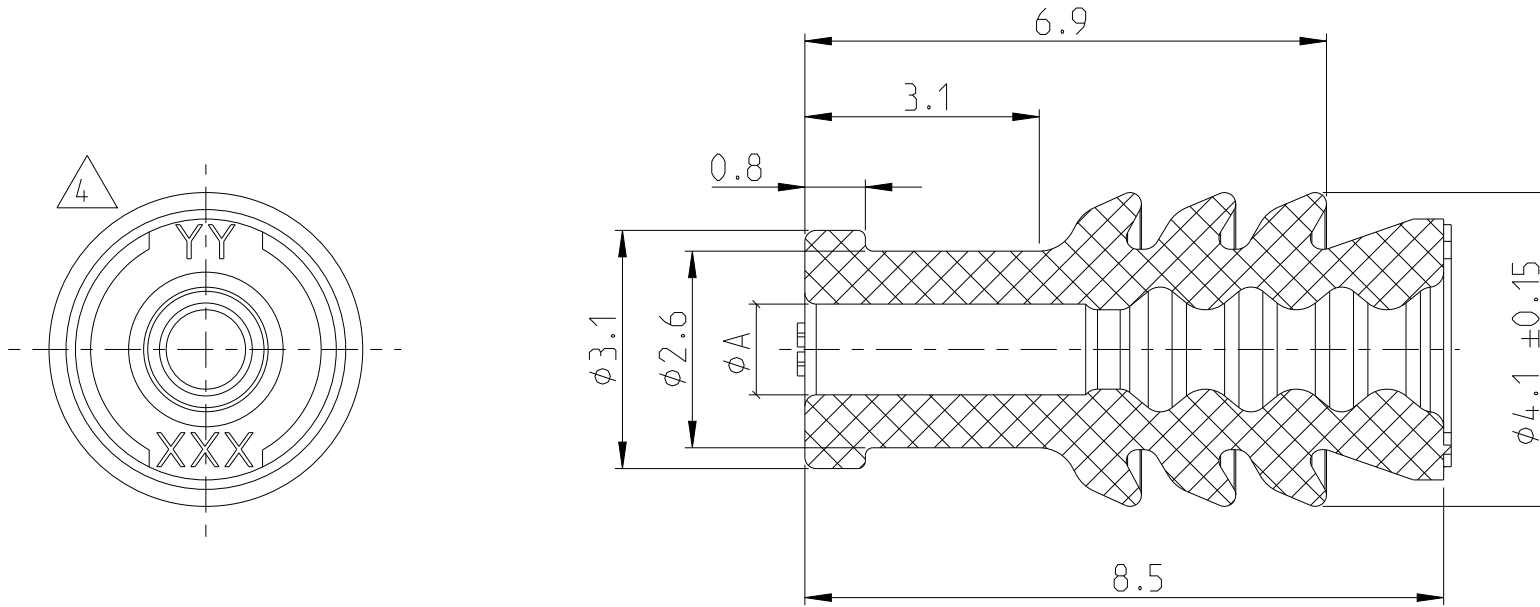
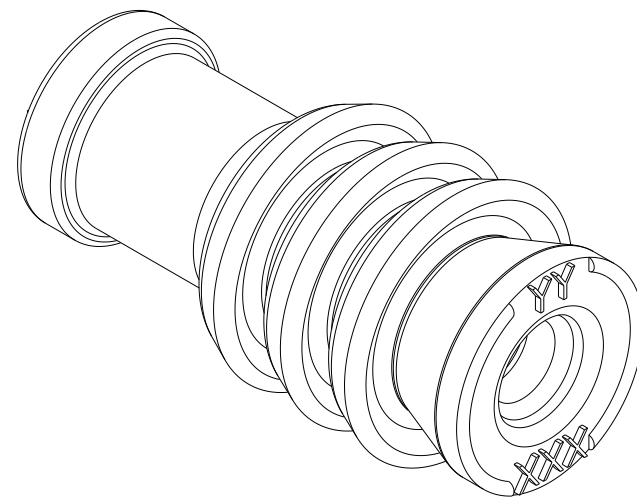


P	LTR	DESCRIPTION	DATE	DWN	APVD
	A9	NEW DASH # 1-967067-1, TEMPERED	09JAN2012	MAH.	ABE.
	A10	NEW PRO-E DRAWING	02FEB2012	MAH.	ABE.
	A11	NEW CREO DRAWING	27APR2023	BV	GB



- 1 Suitable for Socket Contact for Single Wire Seal. SEE: 929454, 929419, 1241611
- 2 Suitable for Pin Contact for Single Wire Seal. SEE: 929453
- 3 Siloxane is minimized through Tempering Process.
- 4 XXX YY : Cavity markings.

1:1



Same as 967067-2	Same as 967067-2	5-967067-2	A	Same as 967067-2	Same as 967067-2	VMQ 50	-
Same as 967067-1	Same as 967067-1	5-967067-1	A	Same as 967067-1	Same as 967067-1		-
φ1.4 - 2.1	φ1.0±0.15	1-967067-1	A	Green	-	967067-1	3
φ0.9 - 1.4	φ0.6±0.15	967067-2	A	Yellow	0.07	VMQ 50	-
φ1.4 - 2.1	φ1.0±0.15	967067-1	A	Green	0.06		-
ISO-DIA	DIM "A"	ORDER No.	REV	COLOUR	WEIGHT	MATERIAL	HEAT TREAT

THIS DRAWING IS A CONTROLLED DOCUMENT.

DWN S. GARCIA 29JUL1999

CHK R. JETTER 28JUL1999

APVD -

NAME Micro Quadlock System  
SINGLE WIRE SEAL for cavity DIA 3.45mm



DIMENSIONS:	TOLERANCES UNLESS OTHERWISE SPECIFIED:
mm	M3 DIN7715
	0 PLC ±-
	1 PLC ±-
	2 PLC ±-
	3 PLC ±-
	4 PLC ±-
	ANGLES ±-
MATERIAL	FINISH
SEE TABLE	-
	-

PRODUCT SPEC

114-18025

APPLICATION SPEC

108-18403

WEIGHT

TABLE

CUSTOMER DRAWING

SIZE A3 CAGE CODE 00779 DRAWING NO. C-967067 RESTRICTED TO -

SCALE 10:1 SHEET 1 OF 1 REV A11