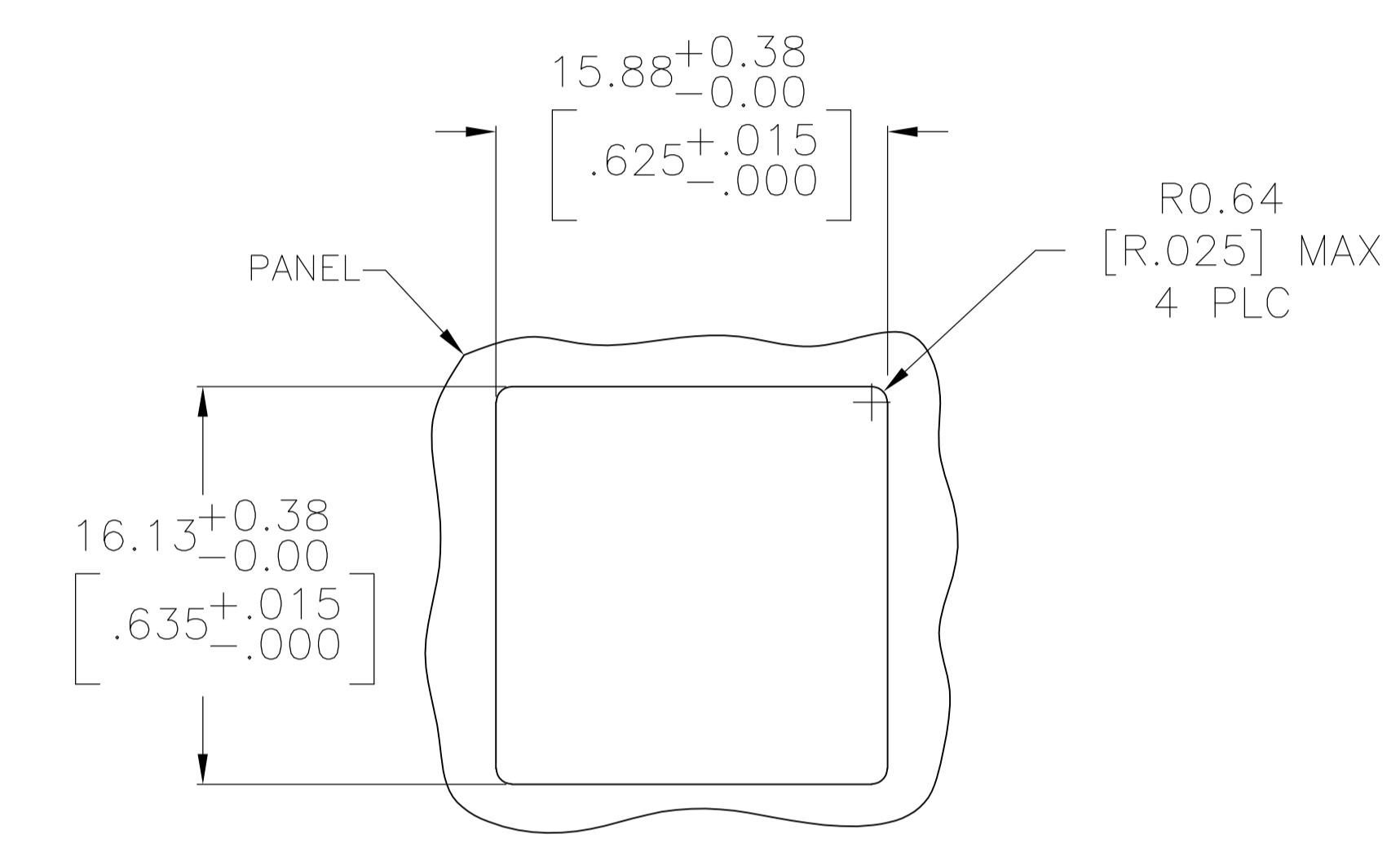
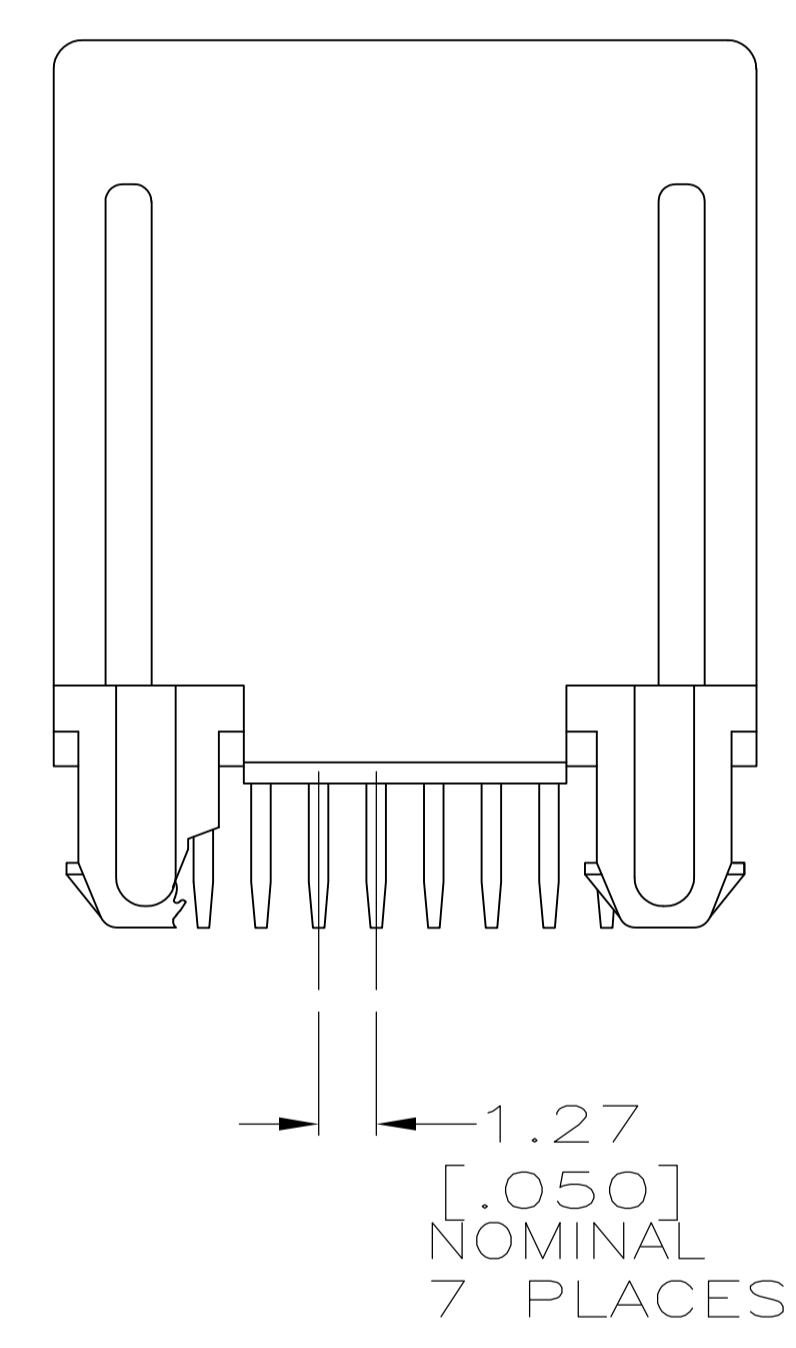
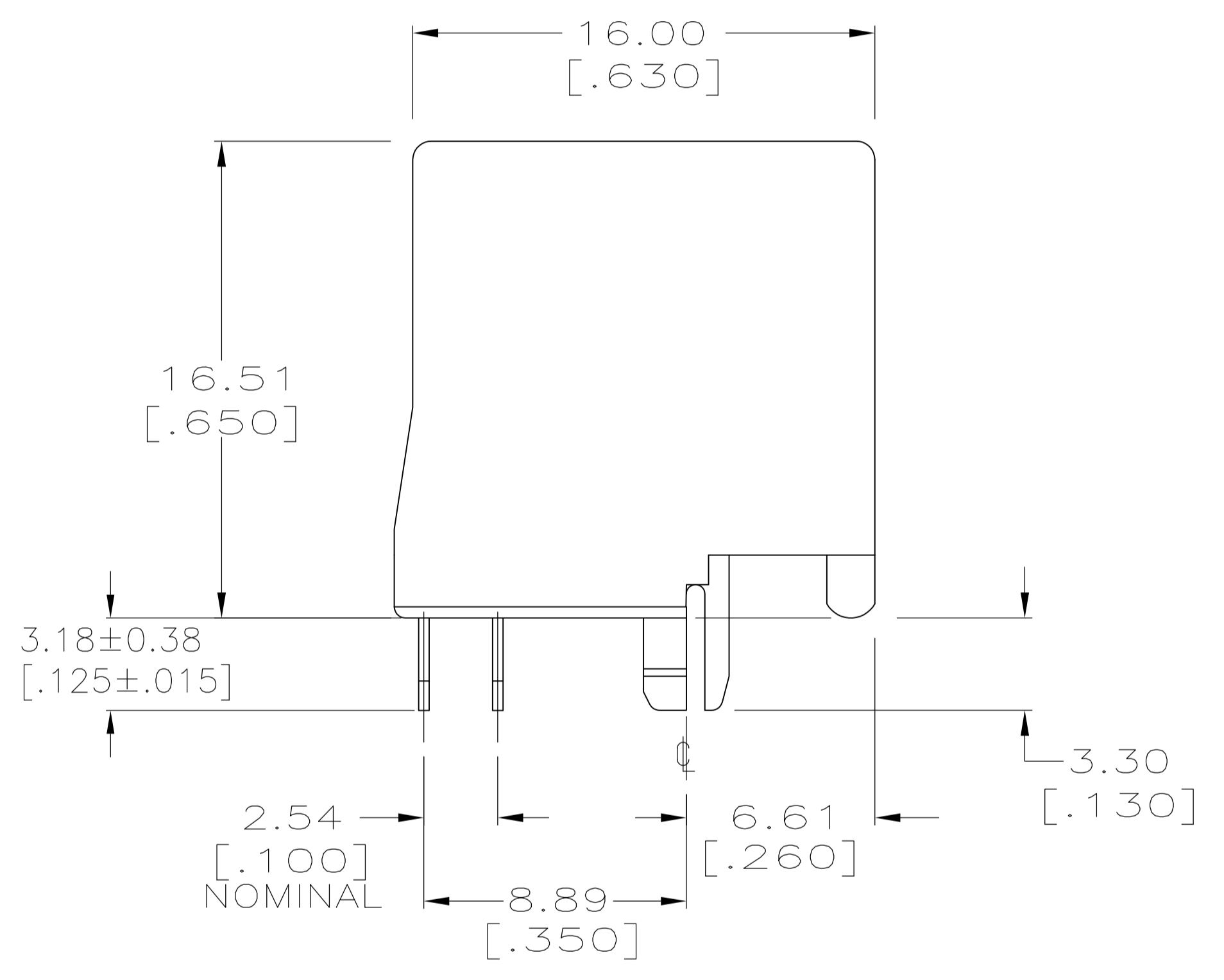
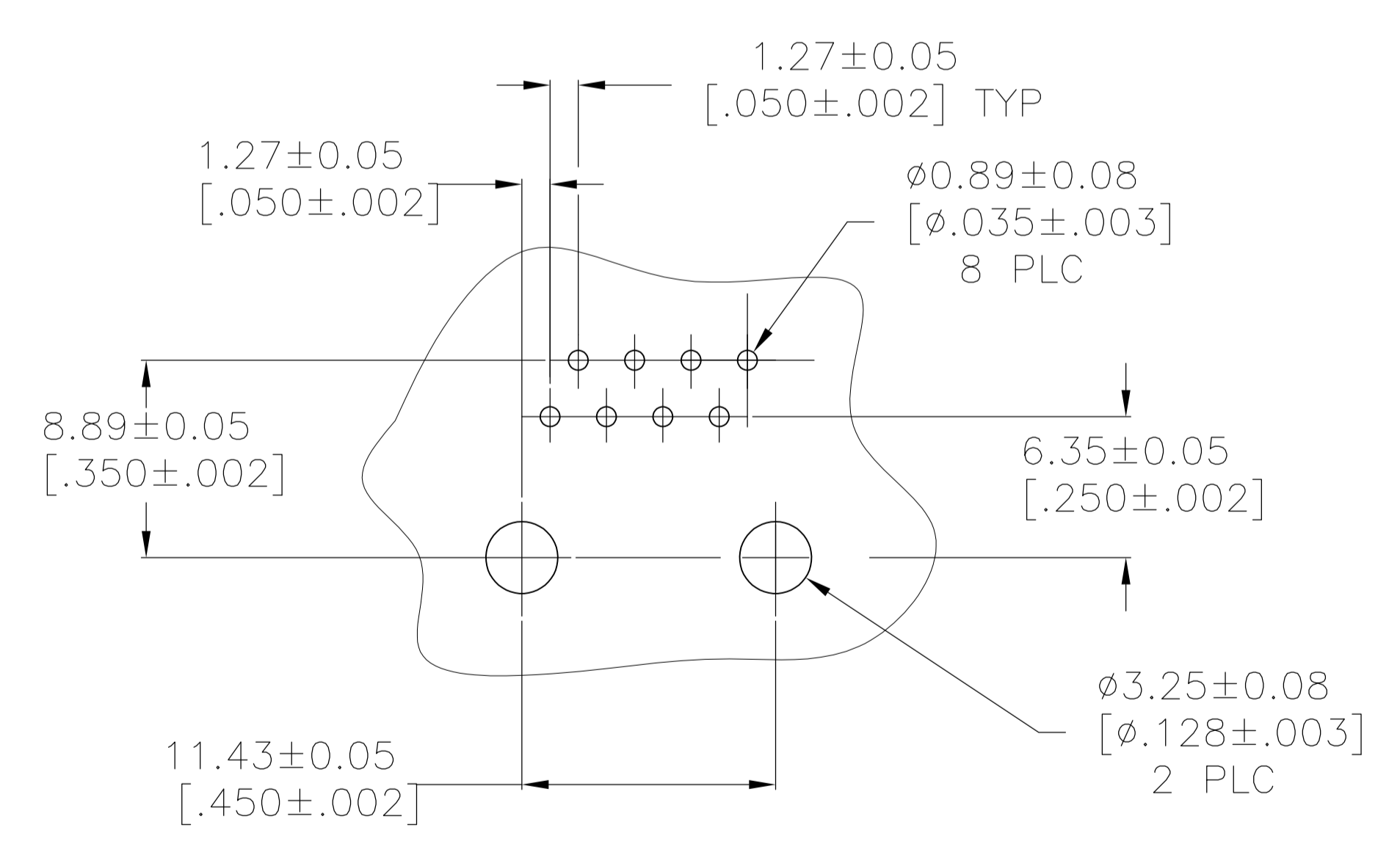
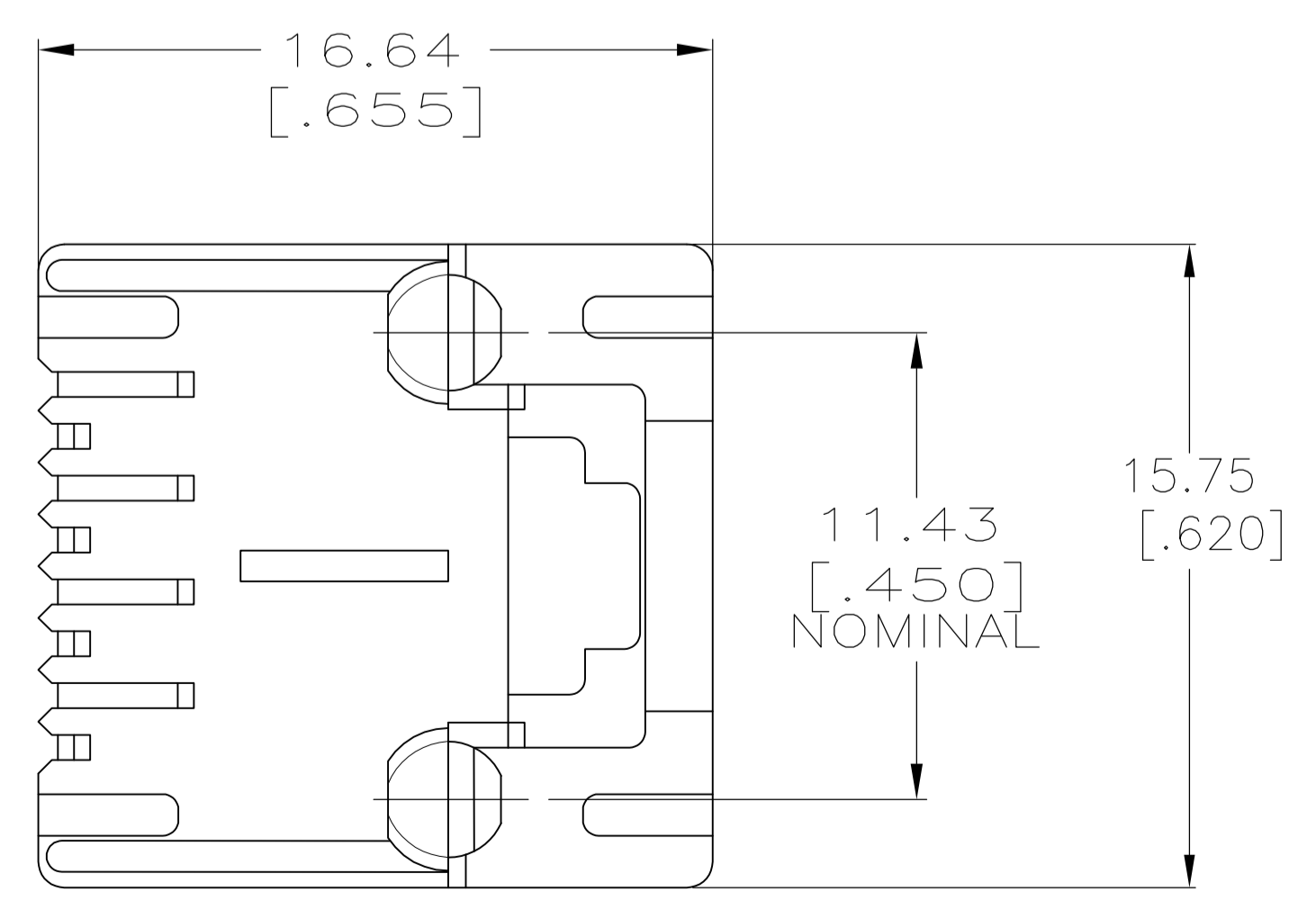


- MATERIAL: HOUSING: PBT POLYESTER, COLOR: BLACK
 TERMINAL: 0.36[.014] THICK PHOS BRONZE PLATED WITH 1.27 μ m [.000050] MIN THICK HARD GOLD IN LOCALIZED GOLD PLATE AREA AND 3.81 μ m [.000150] MIN THICK MATTE TIN IN SOLDER AREA OVER 1.27 μ m [.000050] MIN THICK NICKEL UNDERPLATE
- CAVITY CONFORMS TO FCC RULES AND REGULATIONS PART 68 REA BULLETIN 345-81, PE-76 SPECIFICATION FOR MODULAR TELEPHONE HARDWARE
- ALL DIMENSIONS SHOWN ARE MAXIMUM UNLESS OTHERWISE SPECIFIED



RECOMMENDED PANEL CUTOUT
 SCALE 4:1



RECOMMENDED PRINTED CIRCUIT BOARD LAYOUT
 COMPONENT SIDE
 SCALE 4:1

5555799-1
 PART NO

THIS DRAWING IS A CONTROLLED DOCUMENT.		DIN B. LATTUCA 12SEP05	Tyco Electronics Corporation Harrisburg, PA 17105-3608	
DIMENSIONS: mm [INCHES]		CHK J. WESTMAN 12SEP05	NAME S. FLICKINGER 12SEP05	
TOLERANCES UNLESS OTHERWISE SPECIFIED:		PRODUCT SPEC 108-1163		
0 PLC ± -		APPLICATION SPEC 114-2048		
1 PLC ± -		SIZE A1		
2 PLC ± -		CAGE CODE 00779		
3 PLC ± -		DRAWING NO 5555799		
4 PLC ± -		WEIGHT -		
ANGLES ± -		CUSTOMER DRAWING		
MATERIAL SEE NOTE 1		FINISH SEE NOTE 1		SCALE 6:1 SHEET 1 OF 1 REV B