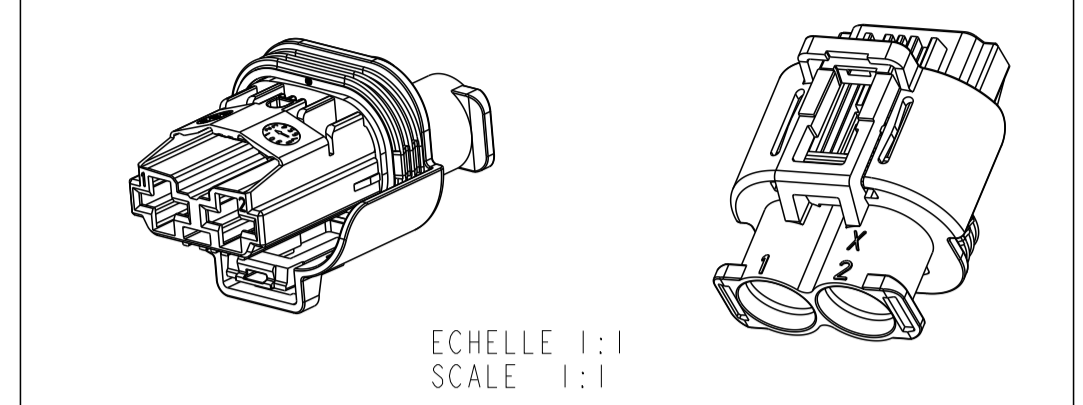
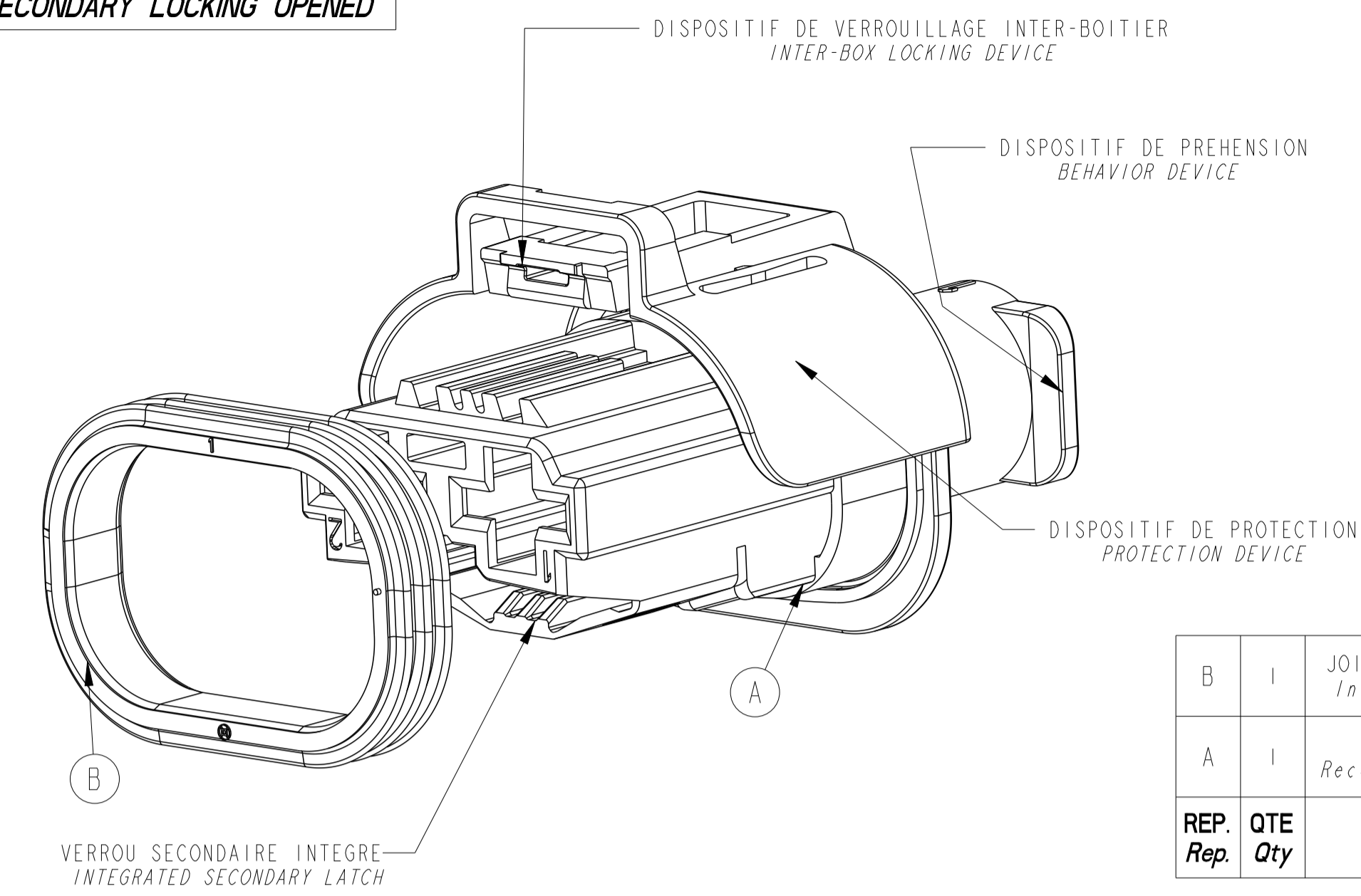
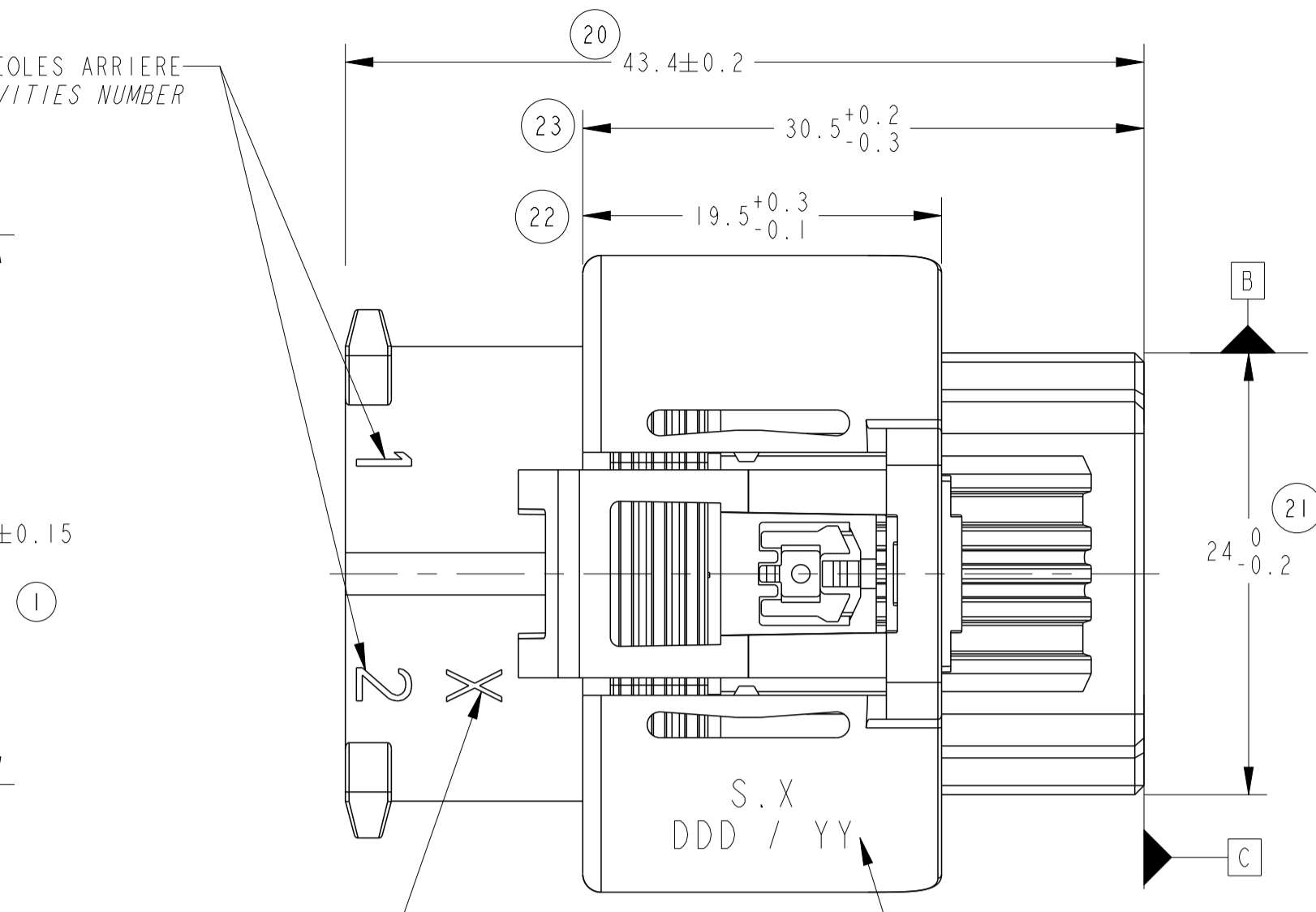
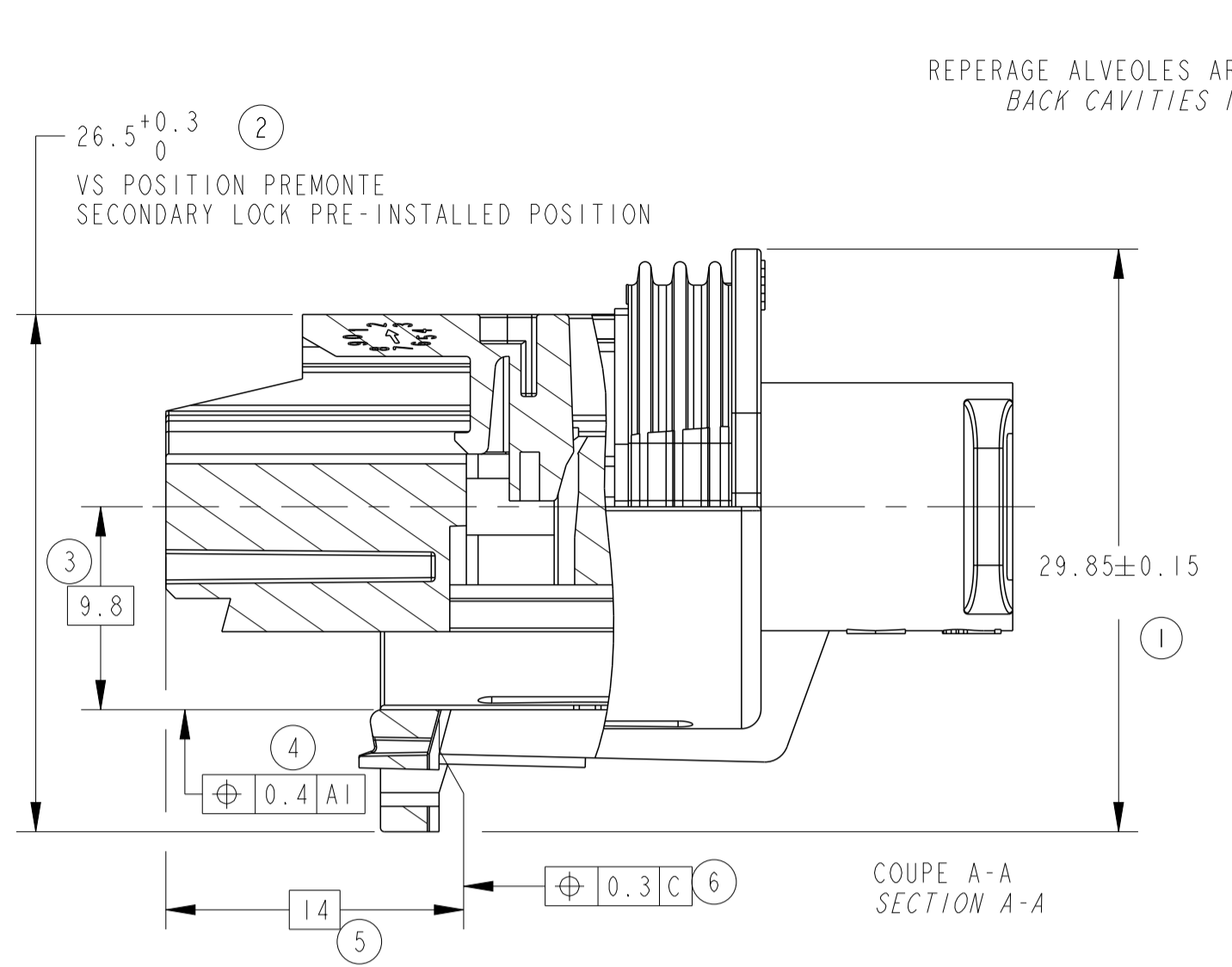
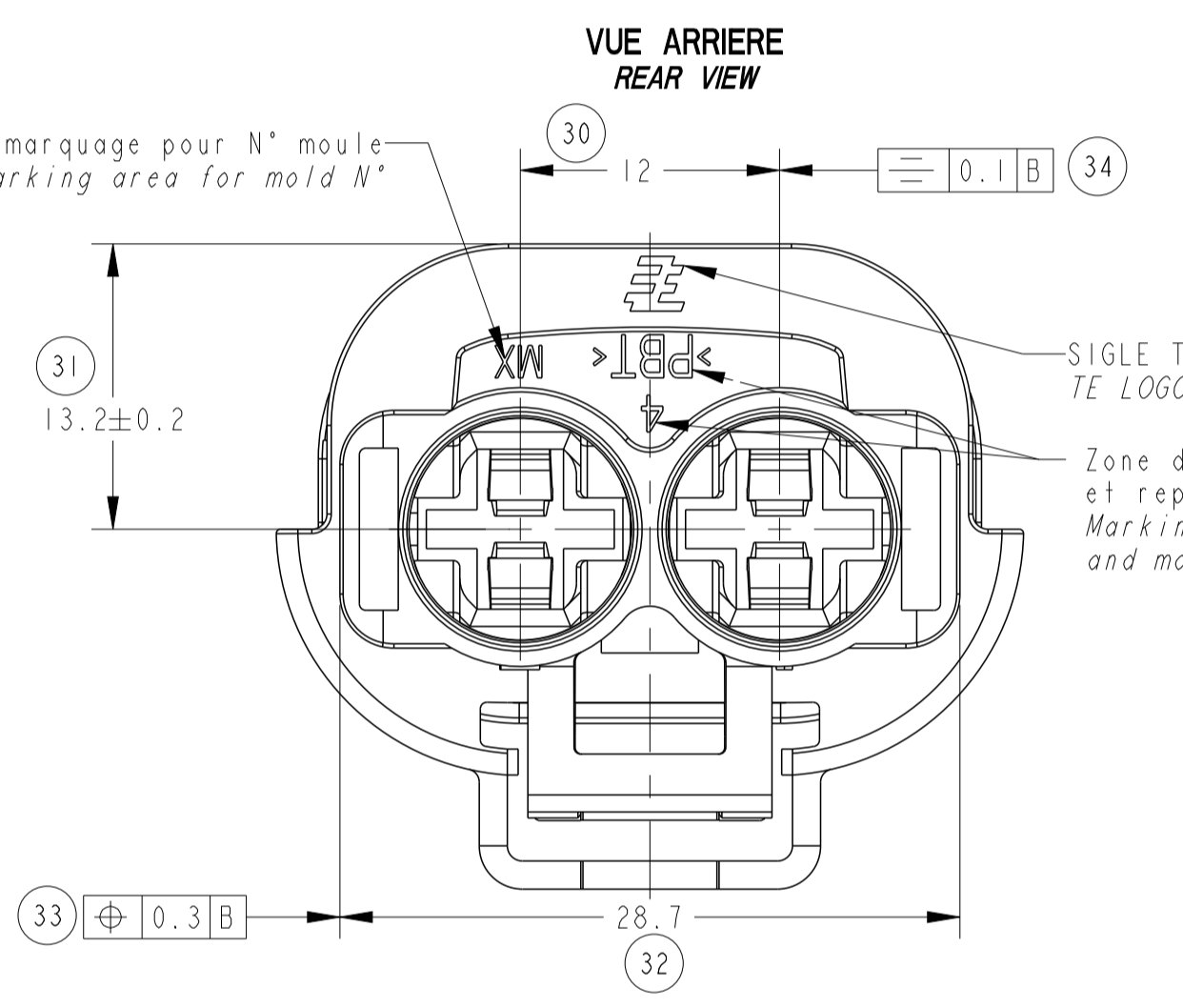
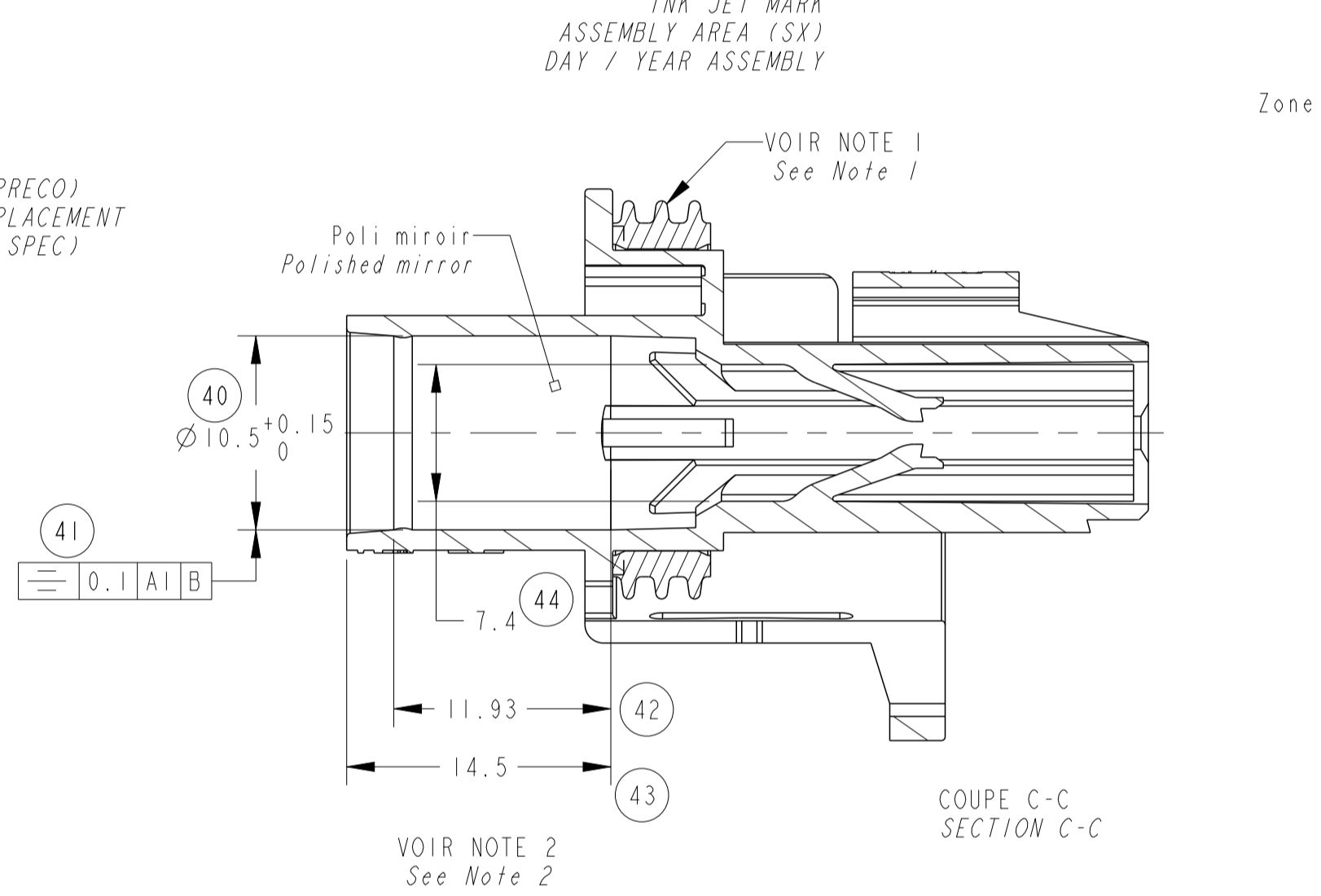
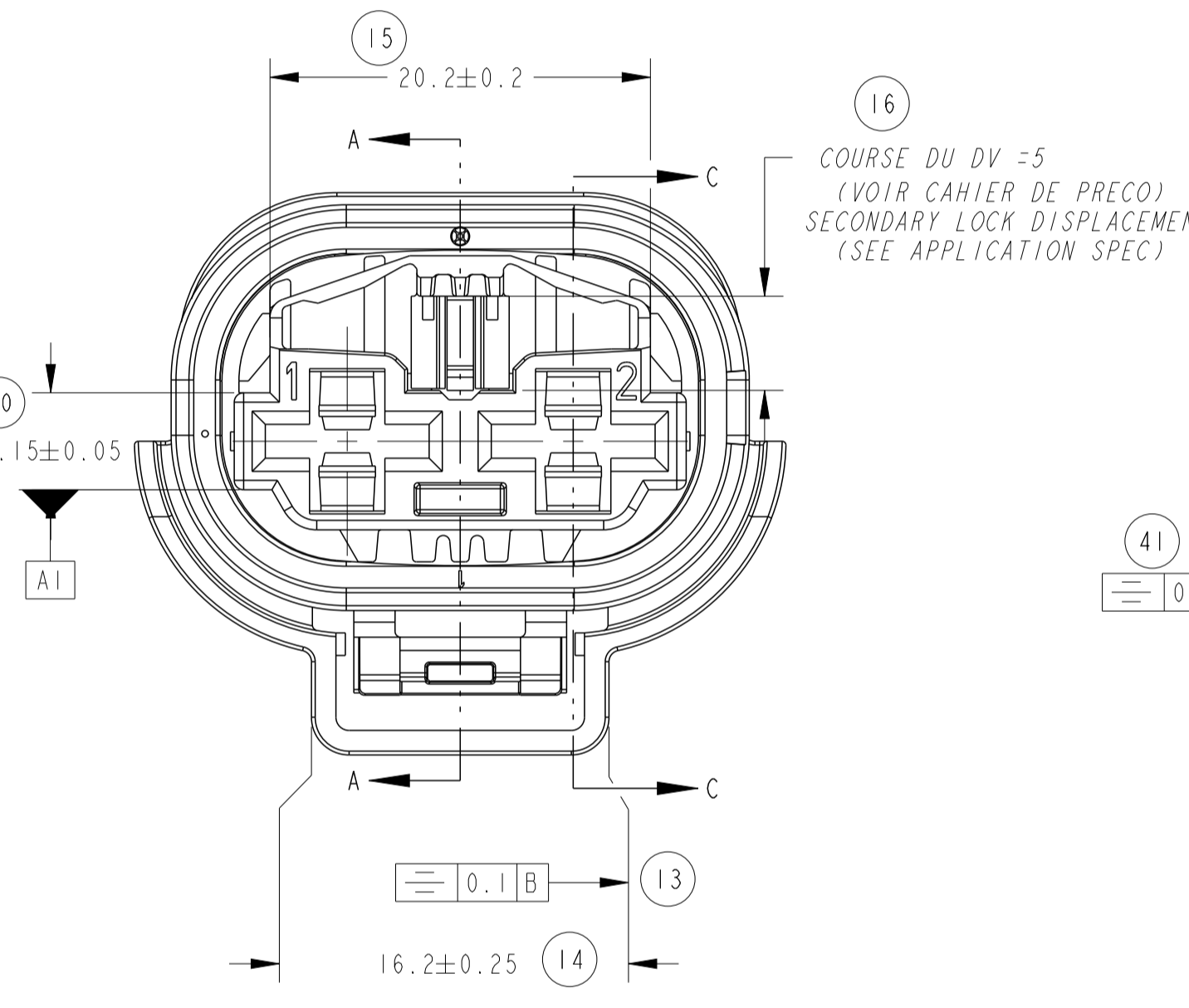


PORTE-CLIPS / VS OUVERT
TERMINAL RECEPTACLE HOUSING / SECONDARY LOCKING OPENED



REP. Rep.	QTE Qty	DESIGNATION Description	MATIERE Material	COULEUR Colour
B	I	JOINT INTERFACIAL Interfacial seal	SILICONE MVQ 50 autolubrifié MVQ 50 Self-lubricated silicon	VERT Green
A	I	PORTE-CLIP Receptacle housing	PBT	VOIR TABLEAU See table



NOTES :

<1> LEVRES DU JOINT EXEMPTES DE BAVURES, COUPURES OU DEFATS D'ASPECTS
SEAL MUST NO BURRS, CRACKS OR SURFACES DEFECTS

<2> ZONE SANS PLAN DE JOINT , EXEMPT DE MARQUES OU RAYURES
AREA WITHOUT JUNCTION LINES , MUST NO MARKS OR BURRS

- MSP : COTES SUIVIES EN MSP / SPC DIMENSIONS .

DOCUMENTS DE REFERENCE / REFERENCE DOCUMENTS :

- PLAN D'INTERFACE / INTERFACE DRAWING :
TE : No / Nr 1544681
PSA : STE No / Nr 9638276999

- PLAN D'ALVEOLE 8mm NGI / 8mm NGI CAVITY DRAWING :
TE : No / Nr 3213 D 101 (No PRONER)
PSA : STE No / Nr 9641753599

- CDC CONNECTIQUE PSA / PSA CONNECTIC CDC
PSA : STE No / Nr 96 299 660 99

REFERENCES PORTES LANGUETTES ASSOCIEES / ASSOCIATED TABS HOUSINGS REFERENCES

REF (PN) TE	DESIGNATION / DESCRIPTION	MATIERE / MATERIAL	COULEUR / COLOR
1544334-1	Porte-langchette 2 voies 8NGI etanche 2-way 8NGI sealed tab housing	PBT 10% FV PBT GF 10%	NOIR BLACK
1544334-2	Porte-langchette 2 voies 8NGI etanche 2-way 8NGI sealed tab housing	PBT 10% FV PBT GF 10%	BLEU BLUE
1544334-3	Porte-langchette 2 voies 8NGI etanche 2-way 8NGI sealed tab housing	PBT 10% FV PBT GF 10%	GRIS GREY

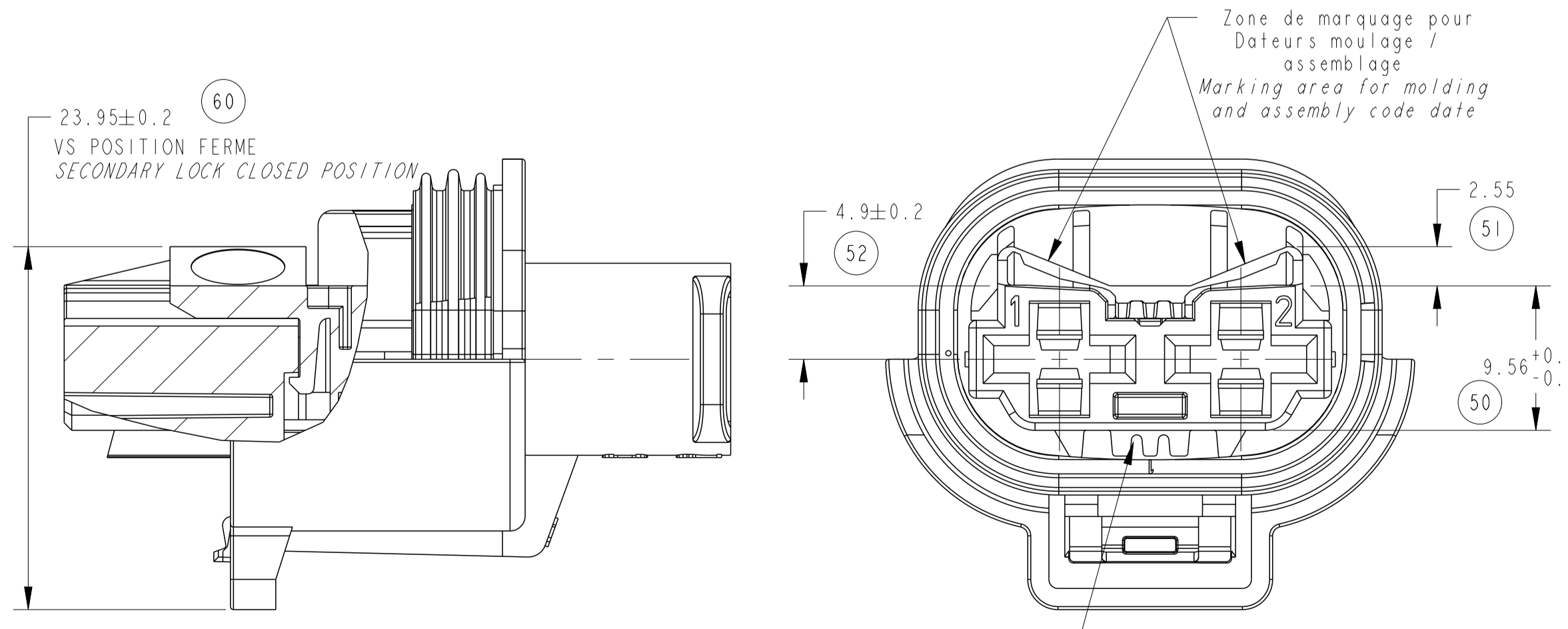
**REFERENCES CLIPS ET JOINTS ASSOCIEES
ASSOCIATED FEMALES RECEPTACLES AND SEALS REFERENCES**

REF (PN) TE	DESIGNATION / DESCRIPTION	MATIERE / MATERIAL	COULEUR / COLOR
1544227-1	Clip 8mm NGI, section 3 a 6 mm ² Receptacle 8mm NGI, wire-sect 3 to 6 mm ²	Cuivre Micro allie Micro alloy copper	/
1544228-1	Clip 8mm NGI, section 7 a 10 mm ² Receptacle 8mm NGI, wire-sect 7 to 10 mm ²	Cuivre Micro allie Micro alloy copper	/
1544316-1	Joint unifilaire, diametre fil 3.18 a 4.2mm Single wire seal, wire diameter 3.18 to 4.2mm	Silicone Autolubrifie Self-lubricated Silicon	VERT GREEN
1544316-2	Joint unifilaire, diametre fil 4.3 a 6mm Single wire seal, wire diameter 4.3 to 6mm	Silicone Autolubrifie Self-lubricated Silicon	ORANGE
1544316-3	Bouchon Seal plug	Silicone Non-lubrifie No-lubricated Silicon	BLANC WHITE
1544664-1	Super-joint unifilaire, diametre fil 3.18 a 4.2mm Super-single wire seal, wire diameter 3.18 to 4.2mm	Silicone Autolubrifie Self-lubricated Silicon	VERT GREEN
1544664-2	Super-joint unifilaire, diametre fil 4.3 a 6mm Super-single wire seal, wire diameter 4.3 to 6mm	Silicone Autolubrifie Self-lubricated Silicon	ORANGE
1544664-3	Super-bouchon Super-seal plug	Silicone Non-lubrifie No-lubricated Silicon	BLANC WHITE

**REFERENCES TE & CODAGES COULEURS ASSOCIES
TE PART NUMBERS & ASSOCIATED CODING COLORS**

1544317-1	1544317-2	1544317-3
NOIR / BLACK	BLEU / BLUE	GRIS / GREY

PORTE-CLIPS / VS FERME
TERMINAL RECEPTACLE HOUSING / SECONDARY LOCKING CLOSED



DISPOSITIF DE CODAGES DEFINIS SUIVANT
PLAN D'INTERFACE N° : VOIR NOTA
CODING DEVICE DEFINED TO
INTERFACE DRAWING N° : SEE NOTE

THIS DRAWING IS A CONTROLLED DOCUMENT. CE PLAN EST UN DOCUMENT CONTROLÉ PAR AND INCORPORATED. ALL CHANGES MUST BE APPROVED BY THE DESIGN ENGINEER. THIS DOCUMENT IS THE PROPERTY OF PSA CONNECTIC. IT IS TO BE USED ONLY FOR THE INTENDED PURPOSE AND NOT TO BE REPRODUCED OR TRANSMITTED IN ANY FORM OR BY ANY MEANS, ELECTRONIC OR MECHANICAL, WITHOUT PERMISSION IN WRITING FROM PSA CONNECTIC.

DIMENSIONS: mm

TOLERANCES UNLESS SPECIFIED (SUIVI DE DECIMALES):
 0 PLC/DEC: ±0.2
 1 PLC/DEC: ±0.2
 2 PLC/DEC: ±0.2
 3 PLC/DEC: ±0.2
 4 PLC/DEC: ±0.2
 ANGLES: 41°-156°

FINISH: SEE TABLE

WEIGHT: APPROX. 8.75gr
MATERIAL: SEE TABLE

DMN/DESIGN: 20APR2005
P. CHARLES
CHKY/VERIF: 20APR2005
L. CORONELLI
APR/APPR: 20APR2005
J. DAHER

NAME: PORTE-CLIP 2 VOIES 8mm NGI ETANCHE
2-WAY 8mm NGI SEALED RECEPTACLE HOUSING

SIZE: A1
CAGE CODE: 00779
FORMA: 411-1569T

TE Connectivity

CUSTOMER DRAWING / PLAN CLIENT POUR REFERENCE

SHEET 2 OF 2

REV G