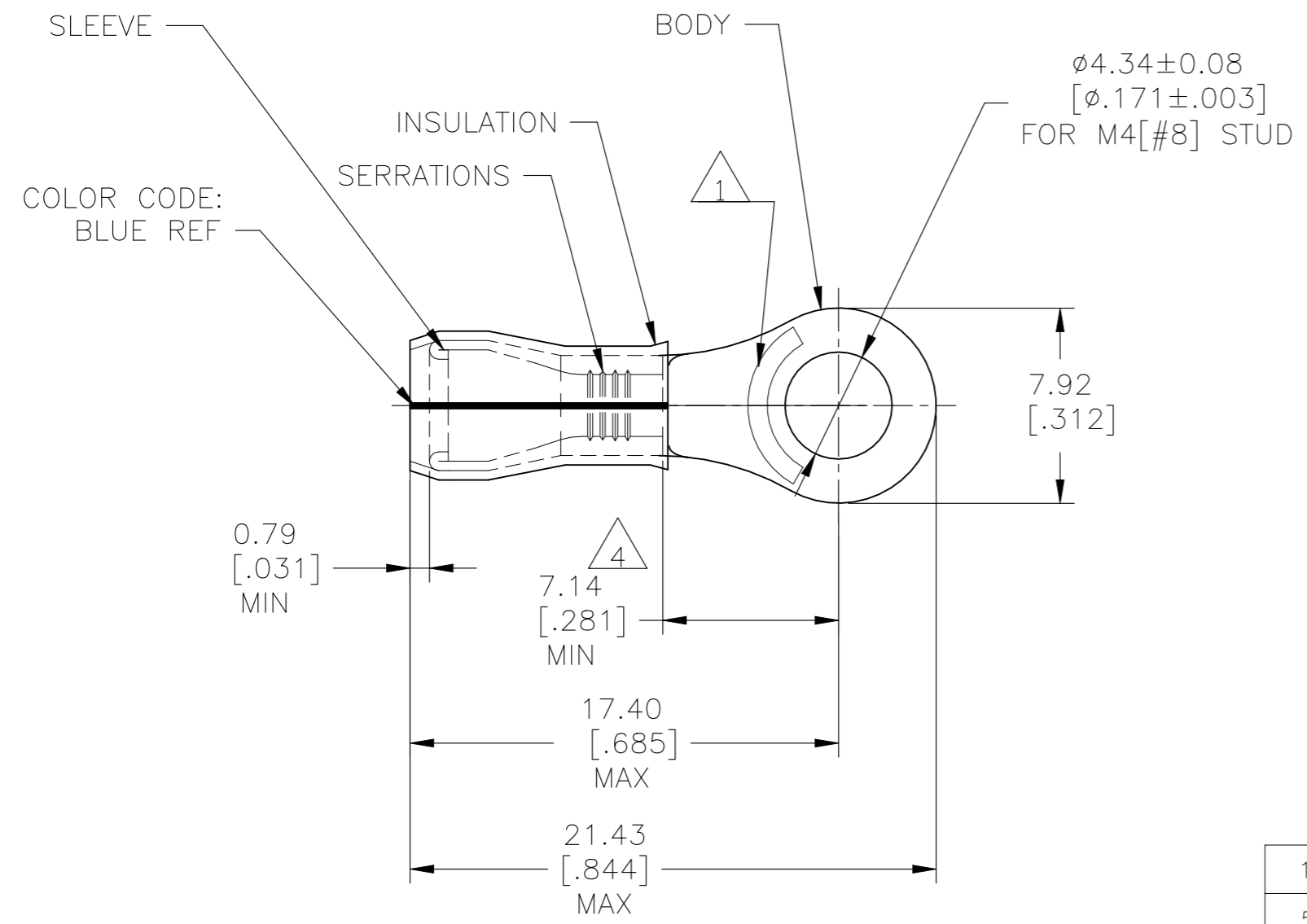


© - TE Connectivity. All Rights Reserved.

| REVISIONS |     |                           |           |        |
|-----------|-----|---------------------------|-----------|--------|
| P         | LTR | DESCRIPTION               | DATE      | APVD   |
|           | S5  | REVISED PER ECN-22-156403 | 03JUN2022 | RK CSD |



- 1 STAMP AMP 16-14\* APPROX AS SHOWN
- 2 WIRE INSULATION DIA: 2.67-3.81 [.105-.150]
- 3 TONGUE MATERIAL THK: 0.79±0.05 [.031±.002]
- 4 APPLIES FROM EDGE OF METAL WIRE BARREL TO CENTER OF STUD HOLE.
- 5 MEETS M7928/4-153, CLASS 1  
MEETS M7928/13-153, CLASS 1
- 6 NOTE DELETED

|      |                  |   |           |
|------|------------------|---|-----------|
| 100  | LOOSE PIECE, BOX | SAME AS 53417-1   | 8-53417-1 |
| 5000 | ON TAPE, REEL    | SAME AS 53417-1   | 53417-2   |
| 1000 | LOOSE PIECE      | BODY: COPPER PER ASTM B152<br>TIN/LEAD (93-7) PLATE PER<br>ASTM B545 ( 3% MIN LEAD CONTENT)<br>SLEEVE: COPPER PER ASTM B152<br>TIN/LEAD (93-7) PLATE PER<br>ASTM B545 ( 3% MIN LEAD CONTENT)<br>INSULATION: PVF2, COLOR-NATURAL | 53417-1   |
| QTY  | PACKAGE TYPE     | MATERIAL & FINISH   | PART NO   |

|  |  |   |  |   |                                 |  |                    |                       |                    |           |
|--|--|---|--|---|---------------------------------|--|--------------------|-----------------------|--------------------|-----------|
| AMP INCORPORATED<br>CUSTOMER SERVICE SYSTEMS                                     |  | MAX RECOMMENDED OPERATING TEMPERATURE:<br>150°C [302°F] MAX   | THIS DRAWING IS A CONTROLLED DOCUMENT. |   | DWN<br>JR RUTH<br>25OCT07       | <b>STE</b> TE Connectivity                                       |                    |                       |                    |           |
| FOR ADDITIONAL PRODUCT INFORMATION OR COPIES OF DRAWINGS AND TECHNICAL DOCUMENTS | PRODUCT INFORMATION CENTER<br>1-800-522-6752 | VOLTAGE RATING:<br>N/A  | DIMENSIONS:<br>mm [INCHES]             | TOLERANCES UNLESS OTHERWISE SPECIFIED:  | CHK<br>T MICHELUTTI<br>25OCT07  |  |                    |                       | NAME               |           |
| FOR APPLICATION TOOLING INFORMATION  | TOOLING ASSISTANCE CENTER<br>1-800-722-1111  | CIRCULAR MIL AREA:<br>1.04-2.62mm² [2,050-5,180] STRANDED   |  | 0 PLC ± -<br>1 PLC ± -<br>2 PLC ± -<br>3 PLC ± 0.20 [.008]<br>4 PLC ± -<br>ANGLES ± - | APVD<br>T MICHELUTTI<br>25OCT07 | TERMINAL, RING TONGUE,<br>PVF2, P.I.D.G.<br>WIRE SIZE: 16-14 AWG |                    |                       |                    |           |
| FOR ORDER ENTRY  | 1-800-526-5142                               | THIS DRAWING IS A CONTROLLED DOCUMENT FOR AMP INCORPORATED. IT IS SUBJECT TO CHANGE AND THE CONTROLLING ENGINEERING ORGANIZATION SHOULD BE CONTACTED FOR THE LATEST REVISION. | MATERIAL<br>SEE TABLE                  | FINISH<br>SEE TABLE   | PRODUCT SPEC<br>-               | SIZE<br>A3   | CAGE CODE<br>00779 | DRAWING NO<br>C-53417 | RESTRICTED TO<br>- |           |
|  |  |   |  |   | WEIGHT<br>-                     | CUSTOMER DRAWING   |                    | SCALE<br>4:1          | SHEET<br>1 OF 1    | REV<br>S5 |